



B-SERIES LOUDSPEAKER

In-ceiling and in-wall loudspeakers

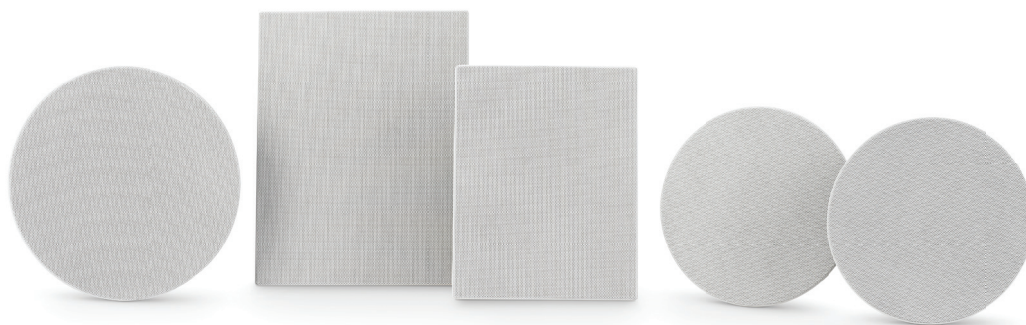


Speakers blend in. Your music stands out.

Introducing the JBL B-Series in-ceiling loudspeakers. Designed with paintable grilles to blend into your décor and crafted for wide sound dispersion, the JBL B-Series loudspeakers feature a modern, virtually invisible design, powerful JBL Signature sound and are easy to install. Built to last with quality materials including a moisture-resistant design, which are perfect for bathroom installations, the JBL B-Series loudspeakers also deliver high power handling and sensitivity for full sound.

Features

- ▶ Powerful JBL sound quality
- ▶ Easy installation
- ▶ Zero bezel grille
- ▶ Wide sound dispersion



Features and Benefits

Powerful JBL sound quality

Immerse yourself in an amazing room-filling audio experience.

Easy installation

The standard 'dog-leg' brackets save installation time and provide a sturdy, reliable fit.

Zero bezel grille

Seamlessly blending them into the room ceiling and wall.

Wide sound dispersion

Experience room filling audio regardless of what angle the speakers are installed.

What's in the box:

Main Unit
Grille
Owner's Manual
Wall cut-out template
Warranty Card

Technical Specifications:

B-6IC

6.5" In-Ceiling

- ▶ Nominal Impedance: 4 ohm
- ▶ Power (RMS/Peak): 35/140W
- ▶ Frequency Response: 50Hz – 20kHz
- ▶ Loudspeaker Sensitivity: 90dB
- ▶ Woofer: 6.5" (165mm) Poly woofer
- ▶ Tweeter: 0.5" (13mm) Polymer Tweeter
- ▶ Cutout Dimensions: 7.9" (202mm)
- ▶ Grille Finished Dimensions: 9.1" (232mm)
- ▶ Mounting Depth: 3.6" (92mm)

B-8IC

8" In-Ceiling

- ▶ Nominal Impedance: 4 ohm
- ▶ Power (RMS/Peak): 40/160W
- ▶ Frequency Response: 45Hz – 20kHz
- ▶ Loudspeaker Sensitivity: 92dB
- ▶ Woofer: 8" (203mm) Poly woofer
- ▶ Tweeter: 0.5" (13mm) Polymer Tweeter
- ▶ Cutout Dimensions: 9.6" (243mm)
- ▶ Grille Finished Dimensions: 10.7" (272mm)
- ▶ Mounting Depth: 3.9" (100mm)

B-6ICDT

6.5" Stereo In-Ceiling

- ▶ Nominal Impedance: 4 ohm
- ▶ Power (RMS/Peak): 35/140W
- ▶ Frequency Response: 50Hz – 20kHz
- ▶ Loudspeaker Sensitivity: 90dB
- ▶ Woofer: 6.5" (165mm) Poly woofer
- ▶ Tweeter: 0.5" (13mm) Polymer Tweeter
- ▶ Cutout Dimensions: 7.9" (202mm)
- ▶ Grille Finished Dimensions: 9.1" (232mm)
- ▶ Mounting Depth: 3.6" (92mm)

B-6IW

6.5" In-Wall

- ▶ Nominal Impedance: 4 ohm
- ▶ Power (RMS/Peak): 35/150W
- ▶ Frequency Response: 50Hz – 20kHz
- ▶ Loudspeaker Sensitivity: 91dB
- ▶ Woofer: 6.5" (165mm) Poly woofer
- ▶ Tweeter: 0.5" (13mm) Polymer Tweeter
- ▶ Cutout Dimensions: 9.7" x 7.2" (246mm x 182mm)
- ▶ Grille Finished Dimensions: 8.4" x 10.9" (213mm x 277mm)
- ▶ Mounting Depth: 3.3" (84mm)

B-8IW

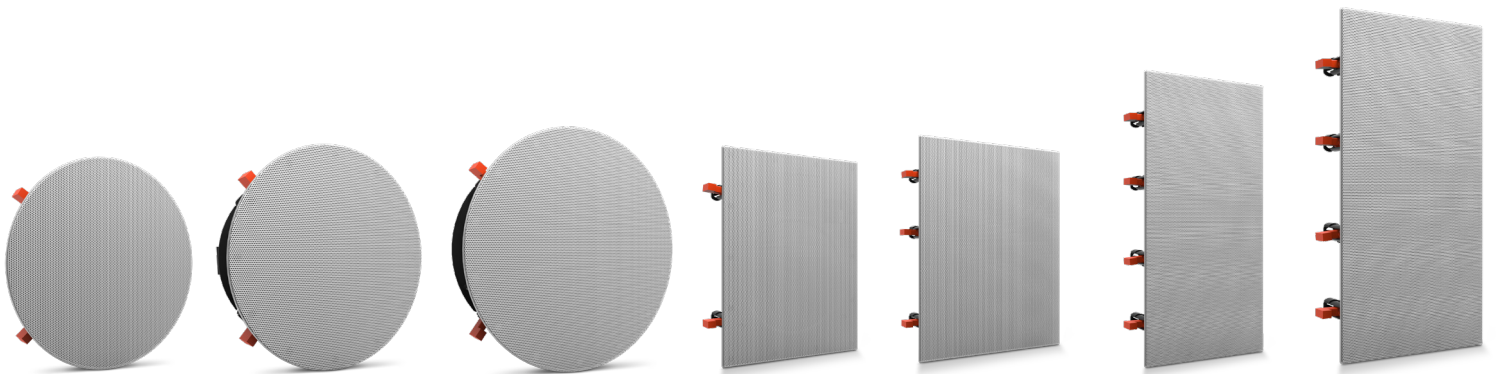
8" In-Wall

- ▶ Nominal Impedance: 4 ohm
- ▶ Power (RMS/Peak): 45/160W
- ▶ Frequency Response: 45Hz – 20kHz
- ▶ Loudspeaker Sensitivity: 91dB
- ▶ Woofer: 8" (203mm) Poly woofer
- ▶ Tweeter: 0.5" (13mm) Polymer Tweeter
- ▶ Cutout Dimensions: 11.7" x 8.8" (299mm x 223mm)
- ▶ Grille Finished Dimensions: 10" x 12.9" (255mm x 329mm)
- ▶ Mounting Depth: 3.7" (96mm)



STUDIO 2 SERIES

Premium Architectural Loudspeakers



Incredible sound. Invisible profile. Inspired aesthetic.

The JBL Studio 2 architectural series premium loudspeakers represent best in class architectural audio. A PolyPlas® woofer cone, CMMD@ lite tweeter and advanced crossover network ensure low distortion and accurate sound reproduction, and the pivoting, adjustable-level tweeter can compensate for any acoustical room conditions. The proprietary JBL High Definition Imaging (HDI) waveguide ensures that the loudspeaker fills the room with cinema-quality sound from any location – even high elevations or off-axis listening locations. The JBL Studio 2 architectural series features a nearly invisible, paintable, zero-bezel profile that blends into any environment. The sturdy, reliable design features the XL-2 bracket, suitable for installation in any wall or ceiling up to 2" thick. The series is engineered to match the award-winning JBL Studio 2 component loudspeakers, and is perfect for a complete custom home theater or whole-house audio applications.

Features

- ▶ Sound Inspired by JBL's legendary M2 Master Reference Monitor
- ▶ Paintable, nearly invisible zero-bezel magnetic grille
- ▶ Superior XL-2 installation bracket
- ▶ Pivoting Tweeters
- ▶ Tweeter Audio Level Adjustment



STUDIO 2 SERIES

Premium Architectural Loudspeakers

Features and Benefits

Sound Inspired by JBL's legendary M2 Master Reference Monitor

High Definition Imaging (HDI) waveguide technology takes its cues from the legendary JBL M2 Master Reference Monitor. Computer-optimized driver positioning and network integration result in ideal performance and lifelike soundstage imaging throughout the entire room, regardless of positioning. Proven acoustic superiority through rigorous testing and real-world evaluation.

Paintable, nearly invisible zero-bezel magnetic grille

Speakers are nearly invisible, seamlessly blending into wall or ceiling architecture. Equally pleasing to audiophiles and interior designers as full-dispersion speakers can be fully painted and integrated into any configuration or setup. Engineered for the custom installer with a whole-room, seamless audio and visual design in mind.

Superior XL-2 installation bracket

Sturdy, reliable design fit for easy installation in walls up to a full 2" thick. Specialty mechanical grip designed to minimize vibration regardless of installation format. Handles custom installation better than typical 1-1/2" bracket designs.

Pivoting Tweeters

Pivoting tweeters let you target audio directly to your desired listening location. Install anywhere it suits you – even in high walls or ceilings – and adjust as needed. The apex of intelligent sound design and imaging.

Tweeter Audio Level Adjustment

Fine-tune high-frequency highs and lows up to 3dB to suit room conditions and personal taste. Take full room audio immersion one step further by perfecting the details. Compensate for any acoustical configuration.

What's in the box:

Main Unit • Magnetic Grille • Owner's Manual • Printed Mounting Template • Warranty Card



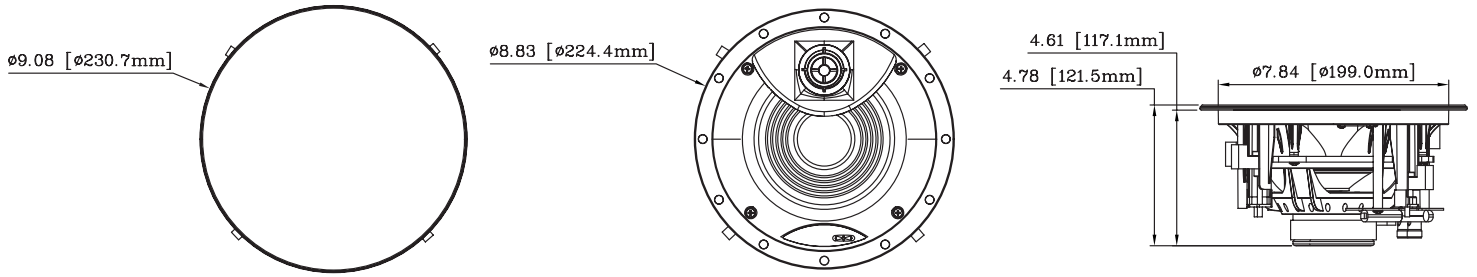
| Feature | Studio 2 6IC | Studio 2 6ICDT | Studio 2 8IC | Studio 2 6IW | Studio 2 8IW | Studio 2 55IW | Studio 2 88IW |
|-----------------------------------------|---------------------------------------|---------------------------------------------|---------------------------------------|--------------------------------------------|----------------------------------------------|--------------------------------------------|----------------------------------------|
| Impedance: | 8 ohms | 8 ohms | 8 ohms | 8 ohms | 8 ohms | 8 ohms | 8 ohms |
| Recommended Amplifier Power: | 80W | 80W | 100W | 80W | 100W | 120W | 150W |
| Frequency Response: | 38Hz - 20kHz | 38Hz - 20kHz | 30Hz - 20kHz | 38Hz - 20kHz | 30Hz - 20kHz | 40Hz - 20kHz | 30Hz - 20kHz |
| Crossover Frequency: | 2.5kHz | 3.7kHz | 2.1kHz | 3.0kHz | 2.8kHz | 2.7kHz | 2.8kHz |
| Loudspeaker Sensitivity: | 86dB 2.83V @ 1m | 86dB 2.83V @ 1m | 88dB 2.83V @ 1m | 86dB 2.83V @ 1m | 88dB 2.83V @ 1m | 88dB 2.83V @ 1m | 88dB 2.83V @ 1m |
| Low Frequency Driver Size and Material | 6-1/2" (165mm) Polyplas® Woofer | 6-1/2" (165mm) Polyplas® Woofer | 8" (203mm) Polyplas® Woofer | 6-1/2" (165mm) Polyplas® Woofer | 8" (203mm) Polyplas® Woofer | Dual 5-1/4" (133mm) Polyplas® Woofer | 8" (203mm) Polyplas® Woofer |
| High Frequency Driver Size and Material | 1" (25mm) Pivoting CMMD® Lite Tweeter | 2 x 3/4" (19mm) Pivoting CMMD® Lite Tweeter | 1" (25mm) Pivoting CMMD® Lite Tweeter | 1" (25mm) Pivoting CMMD® Lite Tweeter | 1" (25mm) Pivoting CMMD® Lite Tweeter | 1" (25mm) Pivoting CMMD® Lite Tweeter | 1" (25mm) Pivoting CMMD® Lite Tweeter |
| High Frequency Control | +/- 3dB | +/- 3dB | +/- 3dB | +/- 3dB | +/- 3dB | +/- 3dB | +/- 3dB |
| Cutout Dimensions: | (D) 8" (203mm) | (D) 8" (203mm) | (D) 9-5/8" (244mm) | (H x W) 9-13/16" x 7-9/32" (249mm x 185mm) | (H x W) 11-15/16" x 8-15/16" (303mm x 227mm) | (H x W) 14-1/8" x 6-13/32" (359mm x 163mm) | (H x W) 20-1/16" x 9" (510mm x 227mm) |
| Grille Finished Dimensions: | (D) 9-3/32" (231mm) | (D) 9-3/32" (231mm) | (D) 10-11/16" (272mm) | (H x W) 10-7/8" x 8-11/32" (276mm x 212mm) | (H x W) 13" x 10" (330mm x 254mm) | (H x W) 15-1/8" x 7-13/32" (384mm x 188mm) | (H x W) 21-3/16" x 10" (538mm x 254mm) |
| Mounting Depth: | 4-11/16" (119mm) | 4-11/16" (119mm) | 5-13/64" (132mm) | 3-19/32" (91mm) | 3-13/16" (97mm) | 3.0" (76mm) | 3-13/16" (96mm) |
| Compatible Wall Material Thickness: | 0.5" – 2.0" (12mm – 51mm) | 0.5" – 2.0" (12mm – 51mm) | 0.5" – 2.0" (12mm – 51mm) | 0.5" – 2.0" (12mm – 51mm) | 0.5" – 2.0" (12mm – 51mm) | 0.5" – 2.0" (12mm – 51mm) | 0.5" – 2.0" (12mm – 51mm) |
| Shipping Units of Measure: | Each | Each | Each | Each | Each | Each | Each |
| Warranty: | 5 Years | 5 Years | 5 Years | 5 Years | 5 Years | 5 Years | 5 Years |
| Pre-Construction Bracket Part number | PCK6C | PCK6C | PCK8C | PCK6 | PCK8 | PCK55 | - |
| Back Box Part Number | FBB6C | FBB6C | FBB8C | FBB6 | FBB8 | FBB55 | - |



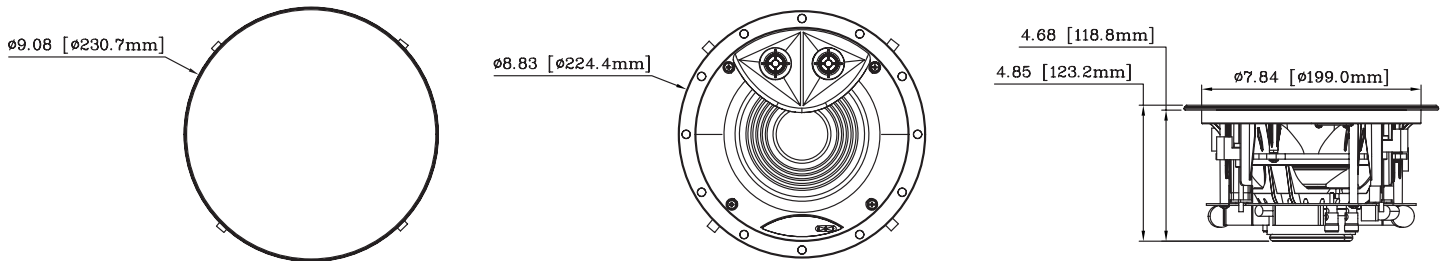
HARMAN International Industries, Incorporated
8500 Balboa Boulevard, Northridge, CA 91329 USA
www.jbl.com

© 2019 HARMAN International Industries, Incorporated. All rights reserved. JBL is a trademark of HARMAN International Industries, Incorporated, registered in the United States and/or other countries. Features, specifications and appearance are subject to change without notice.

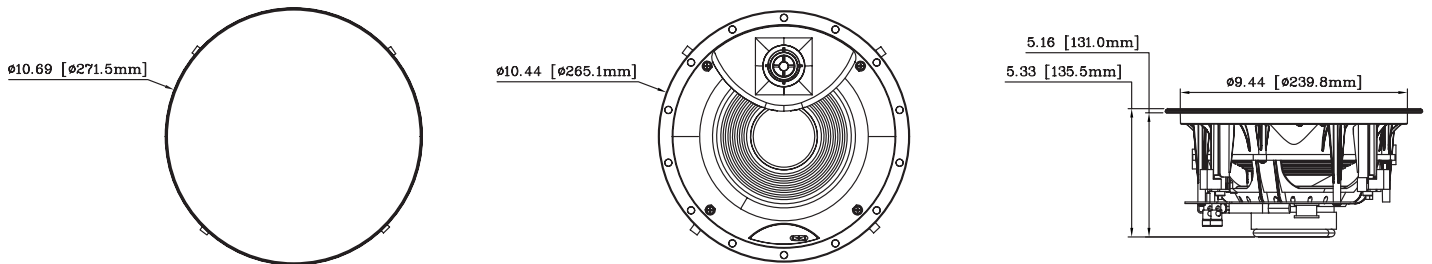
Studio 2 6IC



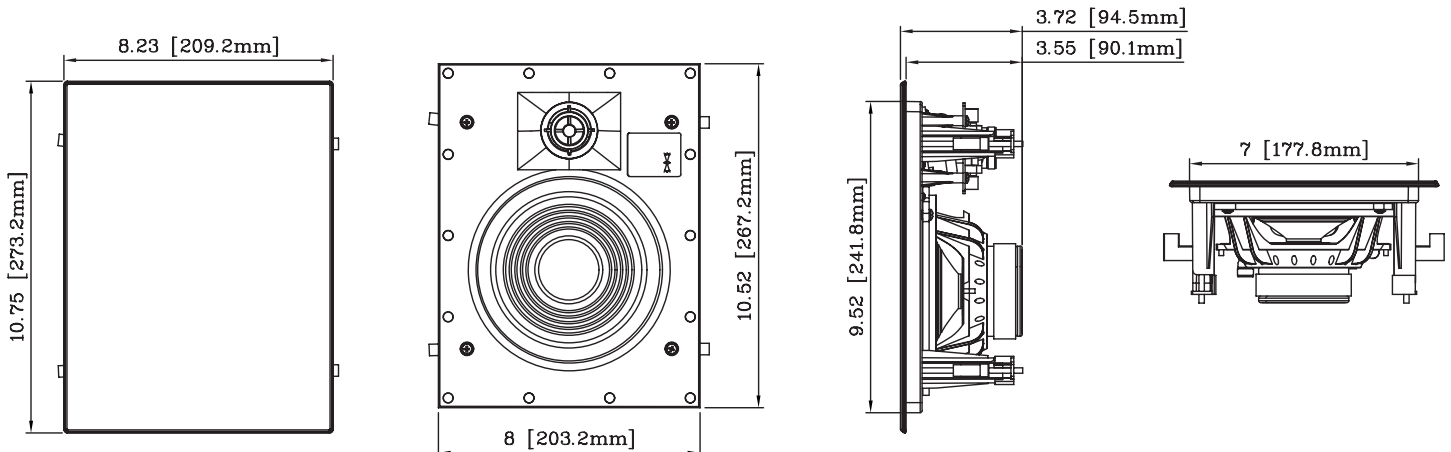
Studio 2 6ICDT



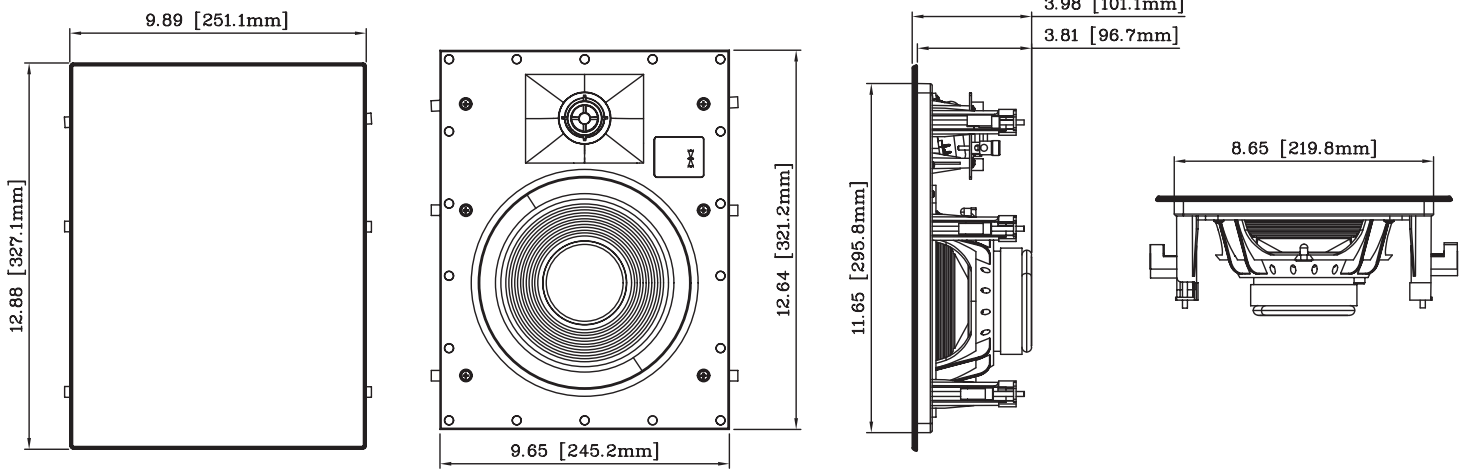
Studio 2 8IC



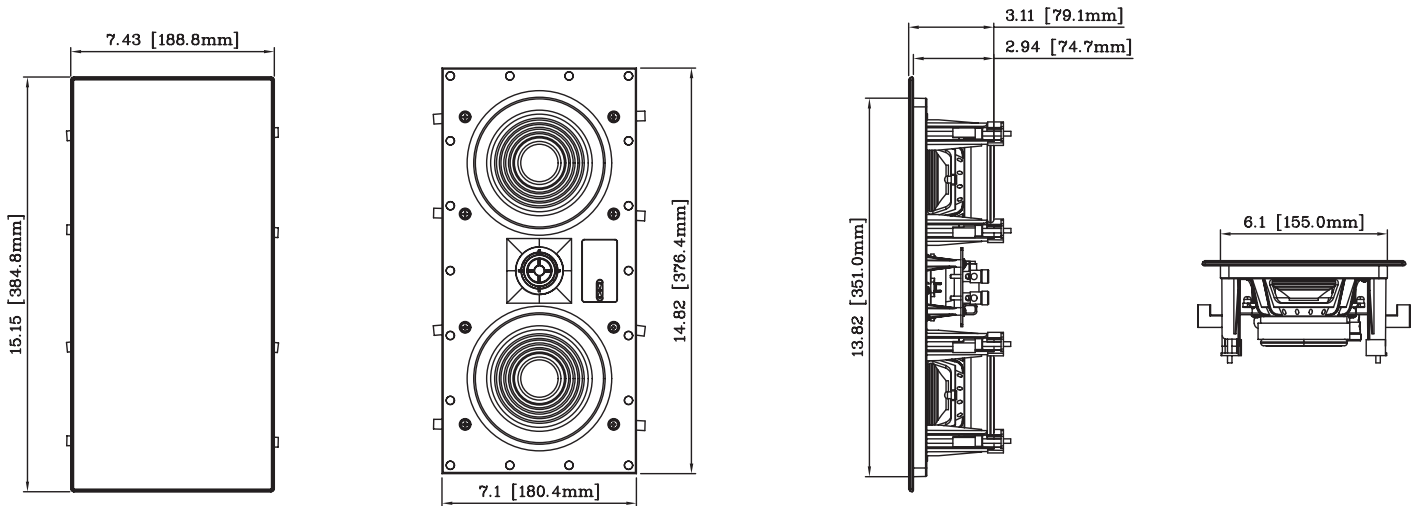
Studio 2 6IW



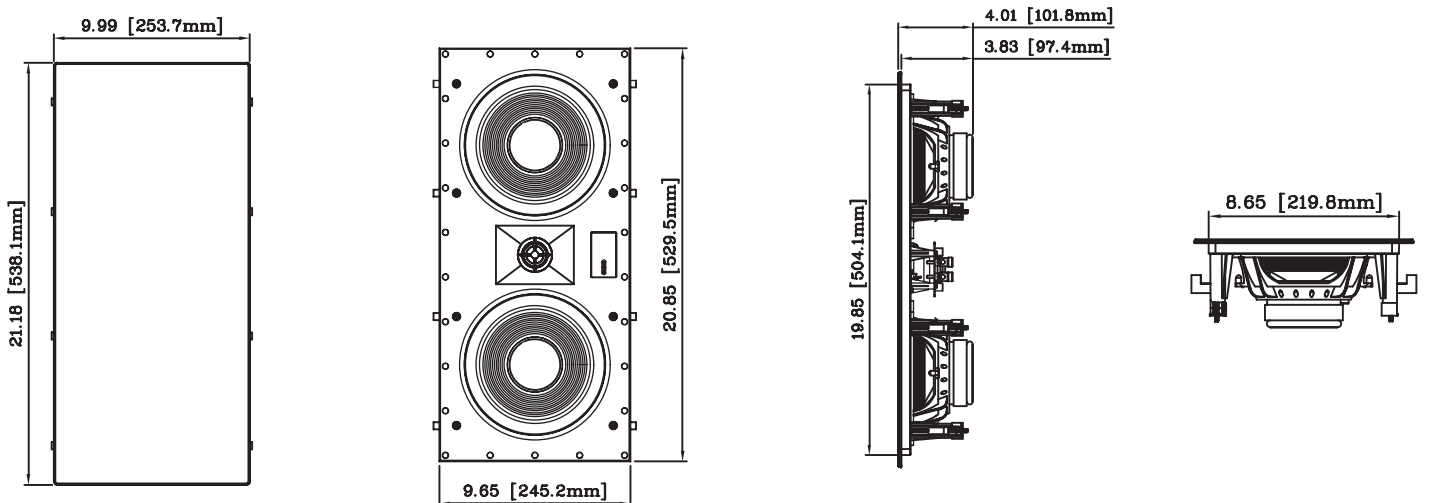
Studio 2 81W



Studio 2 551W



Studio 2 881W





STUDIO 6 ARCHITECTURAL

High-performance, in-wall speakers



Let your walls breathe with powerful JBL cinematic sound.

Feel the drama with JBL Studio 6 architectural speakers. The ultimate cinematic home audio experience. Your sound will stand out, while your speakers blend in. Easy to install and designed with no-frame magnetic, zero-bezel grilles that fit snug with the wall, they let powerful JBL signature sound fill the space, rather than your speakers. With a JBL compression driver straight from the professional world, and integrated treble and bass control, these professional quality, high-performance speakers can be easily adjusted to fit your home.

Features

- ▶ JBL compression driver
- ▶ High Definition Imaging (HDI) waveguide
- ▶ Paintable, zero-bezel magnetic grille
- ▶ Polyplas woofer
- ▶ Treble and Bass EQ control



STUDIO 6 ARCHITECTURAL

High-performance, in-wall speakers

Features and Benefits

JBL compression driver

High Definition Imaging (HDI) waveguide technology and a JBL professional compression driver deliver extraordinary performance. Feel like you are on the front row, wherever you, or your speakers, are in the room.

High Definition Imaging (HDI) waveguide

With a magnetic, zero-bezel grille, JBL Studio 6 speakers are designed to blend into your walls. You will hardly even know they are there, until you turn them on, of course. Perfect for those that love both sound and style.

Paintable, zero-bezel magnetic grille

JBL Studio 6 speakers have integrated treble and bass control, so you can enjoy great sound specifically shaped for your home. It's your sound, your way.

Polyplas woofer

There's nothing tricky about JBL Studio 6 speakers. Easy to install with a sturdy design that minimises vibration, they offer a home cinematic experience that fit seamlessly into your space.

Treble and Bass EQ control

Get more from your TV viewing with the JBL Studio 6 professional home theatre experience, backed by more than 70 years of audio technology expertise.

What's in the box:

- In-wall speaker
- Magnetic grille
- Owner's manual
- Cut-out template
- Logo template
- JBL grille logo

Technical Specifications

| | Studio 6 6IW | Studio 6 8IW | Studio 6 66LCR | Studio 6 88LCR | Studio 6 Theater |
|----------------------------|------------------------------------------------------------------------------------------|---------------------------------|--------------------------------------|------------------------------------|---------------------------------------|
| Nominal Impedance | 6-0hm | 6-0hm | 6-0hm | 6-0hm | 6-0hm |
| Power RMS/Peak | 50W/200W | 60W/250W | 50W/200W | 120W/500W | 100W/400W |
| Recommend Amplifier Power | 25W-125W | 25W-125W | 25W-150W | 50W-175W | 50W-150W |
| Frequency Response | 45-20kHz | 43-20kHz | 45-20kHz | 47-20kHz | 65-20kHz |
| Loudspeaker Sensitivity | 91dB | 93dB | 91dB | 96dB | 96dB |
| Woofer | 6.5" (165mm) Polyplas® woofer | 8" (203mm) Polyplas® woofer | 2 x 6.5" (165mm) Polyplas® woofer | 2 x 8" (203mm) Polyplas® woofer | 4 x 5.25" (133mm) Polyplas® woofer |
| Tweeter | High Definition Imaging (HDI) Waveguide with 1" (25mm) High Frequency Compression Driver | | | | |
| Crossover Frequency | 2.5kHz | | | | |
| Cutout Dimensions | 7.1" x 10.8" (180mm x 275mm) | 8.7" x 12.5" (221mm x 318mm) | 7" x 17.4" (180mm x 443mm) | 8.7" x 20.4" (221mm x 517mm) | 6.2" x 25.3" (157mm x 642mm) |
| Grille Finished Dimensions | 8.2" x 12" (209mm x 305mm) | 9.9" x 13.7" (251mm x 349mm) | 8.2" x 18.6" (209mm x 473mm) | 9.9" x 21.5" (251mm x 547mm) | 7.4" x 26.5" (188mm x 674mm) |
| Mounting Depth | 3.7" (95mm) | 3.7" (94.5mm) | 3.7" (95mm) | 3.7" (94.5mm) | 3.7" (94.5mm) |

