

TRIAD QUICK START GUIDE - IN-CEILING DESIGNER SERIES 4/9 FULL-RANGE & SUB

OVERVIEW

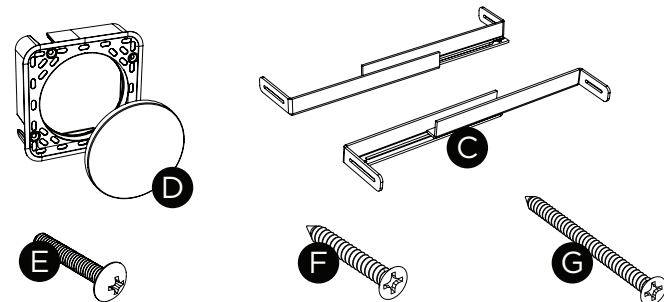
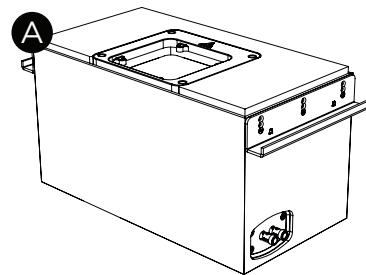
The Triad Designer Series is a uniquely engineered family of luxury in-ceiling speakers that deliver rich, full sound through a speaker grill that is a fraction of the size of traditional in-ceiling speakers.

The DS4-FR Full-Range speaker includes two woofers and an Ultra Broad Dispersion (UBD) tweeter providing 150-degrees of sound, up to 50 percent wider than conventional speakers. Everyone can enjoy the music while minimizing hot spots where the music is too loud. The DS4-SUB Subwoofer includes three woofers for exceptional bass while being incredibly discreet.

Designer Series speakers are constructed with solid wood to prevent sound from traveling between floors. Built with installers in mind, Designer Series speakers are completely serviceable through the grill opening including all drivers and crossovers. The speaker grills can also be painted to match any room.

IN THE BOX

- A - Enclosure (x1)
- B - UBD assembly [*Full-Range only*] (x1)
- C - Enclosure mounting brackets (x2)
- D - Mudring and grill [*varies by order*] (x1)
- E - 8-32 x 1" philips truss head screws (x8)
- F - #8 x 1 1/4" drywall screws (x8)
- G - #6 x 2" drywall screws (x4)



WARRANTY

Triad Speakers warranty information

Limited Hardware Warranty—Triad Speakers warrants its hardware product to be free from defects in material and workmanship during the warranty period. If the hardware proves to be defective in material or workmanship during the warranty period, Triad Speakers will, at its sole option, repair or replace the product with a like product. The warranty extends only to products purchased directly from Control4 Corporation or an Authorized Control4 Dealer. For complete limited warranty information, including details on purchaser legal rights as well as limited warranty exclusions, visit <http://Triadspkr.com/warranty>.

Return Merchandise Authorization (RMA) information

For Sales RMAs contact your Inside Sales Associate. Your ISA information can be found in the My Account section of the Dealer Portal under Control4 Contacts.

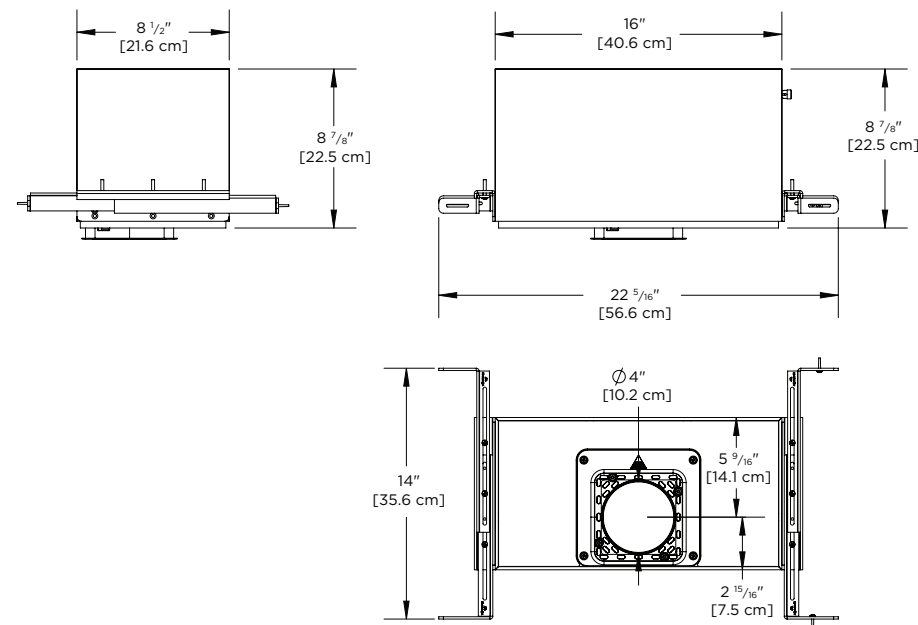
Technical Support information

Phone: 503-517-2668
Hours: 9:00 a.m. - 5:30 p.m. PST (Monday - Friday)
Email: service@triadspeakers.com

NOTE

The InCeiling Designer Series 4/9 Full-Range and Sub are *ONLY* to be used for new construction with sheetrock. Any other type of installation is not recommended.

DIMENSIONS - IC DESIGNER SERIES 4/9



SPECIFICATIONS - IC DESIGNER SERIES 4/9 FULL-RANGE

Enclosure size - in. (L x W x D)	16 x 8 1/2 x 8 7/8	Tweeter type	BMR mid/high freq
Enclosure size - cm (L x W x D)	40.6 x 21.6 x 22.5	Recommended amplifier power (W)	100 - 200
Product weight (ea.)	16.65 lbs (7.55 kg)	Nominal impedance (ohms)	6 ohm
Shipping weight (ea.)	24.00 lbs (10.89 kg)	Minimum impedance (ohms)	5.5 ohm
Woofer size (in.)	3" x 6" nominal (x2)	Sensitivity (dB @ 2.83V, 1 m)	88
Woofer type	Coated paper	Frequency response	55 Hz - 20 KHz
Tweeter size (in.)	2.5" 6.35cm		

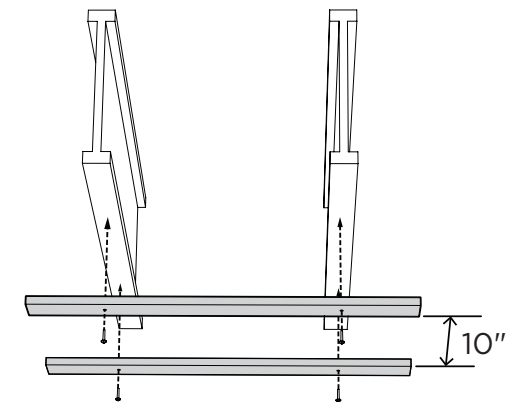
Copyright ©2017, Control4 Corporation. All rights reserved. Control4 and the Control4 logo are registered trademarks or trademarks of Control4 Corporation or its subsidiaries in the United States and/or other countries. All other names and brands may be claimed as the property of their respective owners. All specifications subject to change without notice.

SPECIFICATIONS - IC DESIGNER SERIES 4/9 SUB

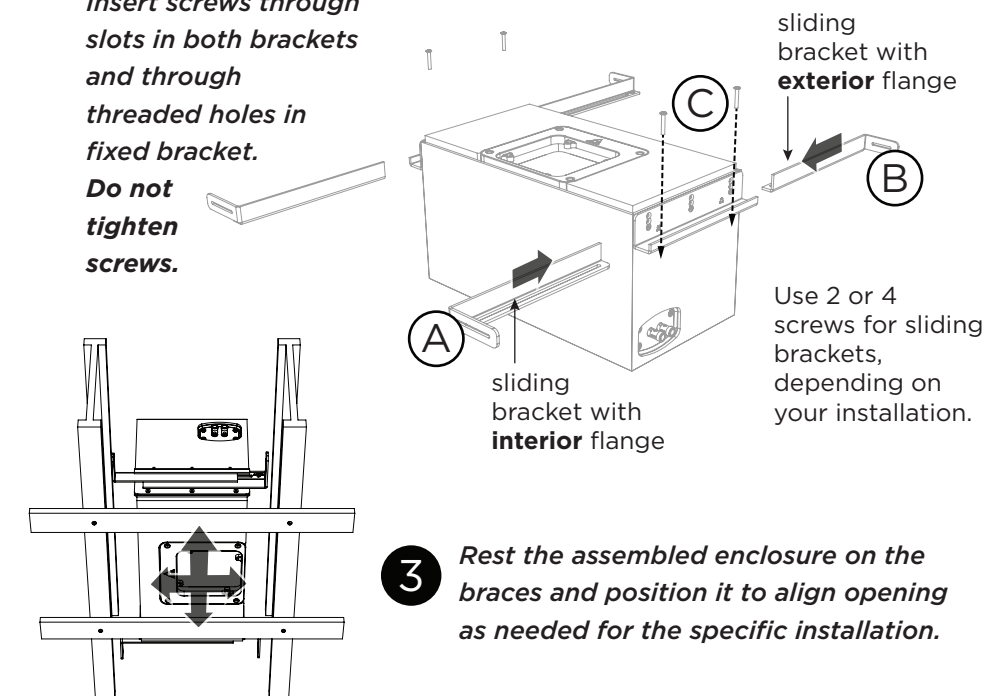
Enclosure size - in. (L x W x D)	16 x 8 1/2 x 8 7/8	Woofer material	Paper/Ferrite
Enclosure size - cm (L x W x D)	40.6 x 21.6 x 22.5	Sub amp power (W)	300
Product weight (ea.)	16.15 lbs (7.33 kg)	Nominal impedance (ohms)	4 ohm
Shipping weight (ea.)	23.5 lbs (10.66 kg)	Frequency response	28 Hz - 200 Hz
Woofer size (in.)	3" x 6" nominal (x3)	Rack Amp 300 setting	Flex

ASSEMBLY

- 1** Identify desired joists to mount DS 4/9 in between and assemble mounting braces to the bottom. Braces should be perpendicular to joists and 10" apart using #8 drywall screws.



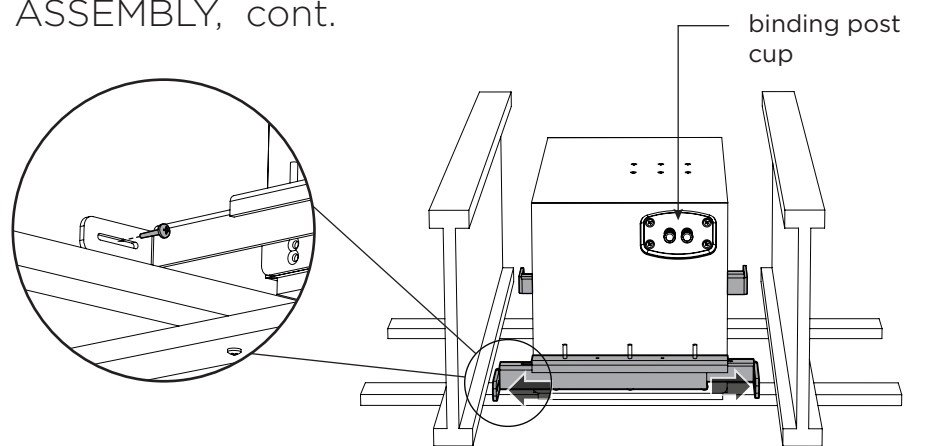
- 2** To assemble sliding brackets to fixed bracket, first insert the sliding bracket with interior (facing the elbow) flange into the fixed bracket channel. Then assemble the exterior flange sliding bracket over top. Insert screws through slots in both brackets and through threaded holes in fixed bracket. **Do not tighten screws.**



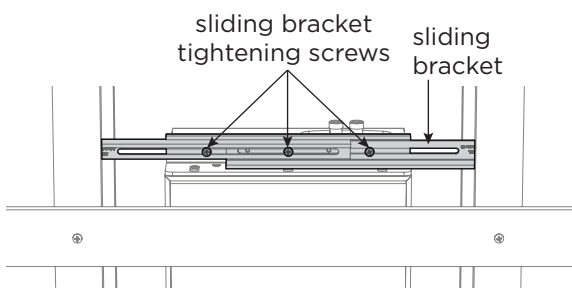
- 3** Rest the assembled enclosure on the braces and position it to align opening as needed for the specific installation.

TRIAD QUICK START GUIDE - IN-CEILING DESIGNER SERIES 4/9 FULL-RANGE & SUB

ASSEMBLY, cont.



4 Slide the brackets outward to rest against the joists, and screw into place using #8 drywall screws. If sliding brackets hit against bottom flange of joist, reassemble fixed bracket to enclosure in a different vertical position as noted in Step 2. Enclosure should sit flush/flat on plywood braces.

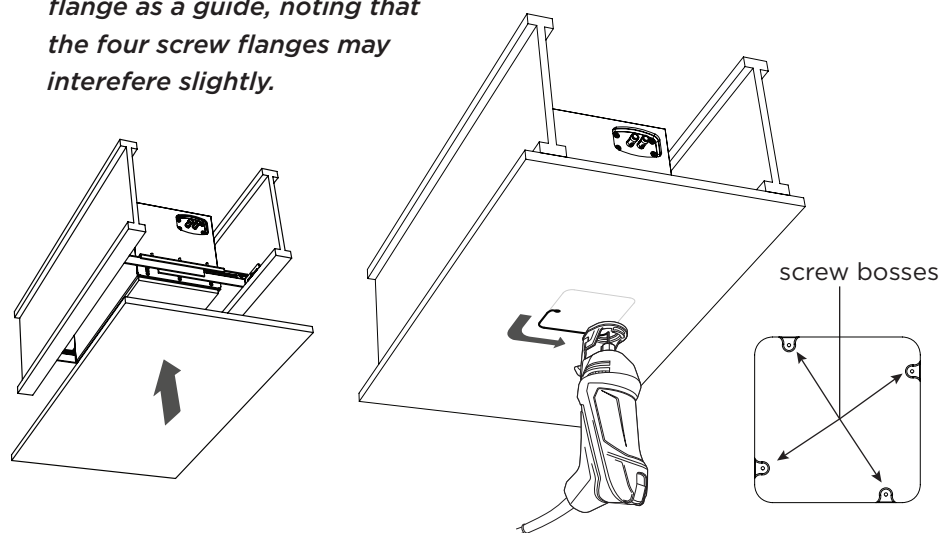


Once the sliding brackets are screwed into the joist, tighten the bracket tightening screws.

5 Attach wires to binding posts on front of speaker box. Test connection if possible.

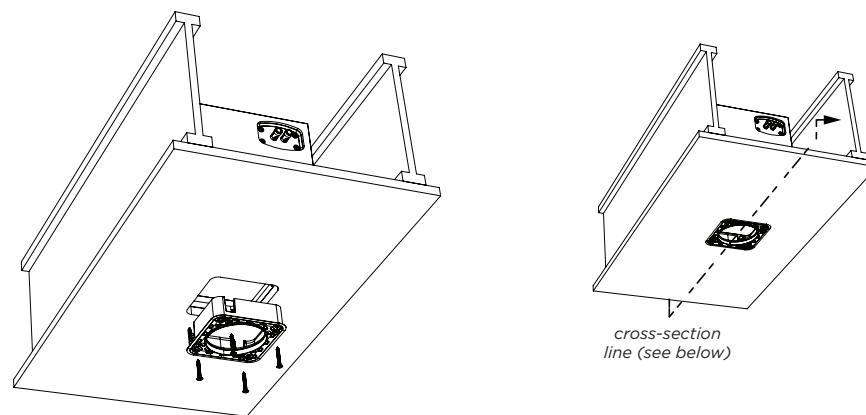
NOTE
Ensure proper connectivity before proceeding. Once sheetrock is installed binding posts cannot be accessed.

6 Remove plywood braces and install drywall. After drywall is installed, use rotary tool or similar to cut opening for mudring. Use the inner flange as a guide, noting that the four screw flanges may interfere slightly.

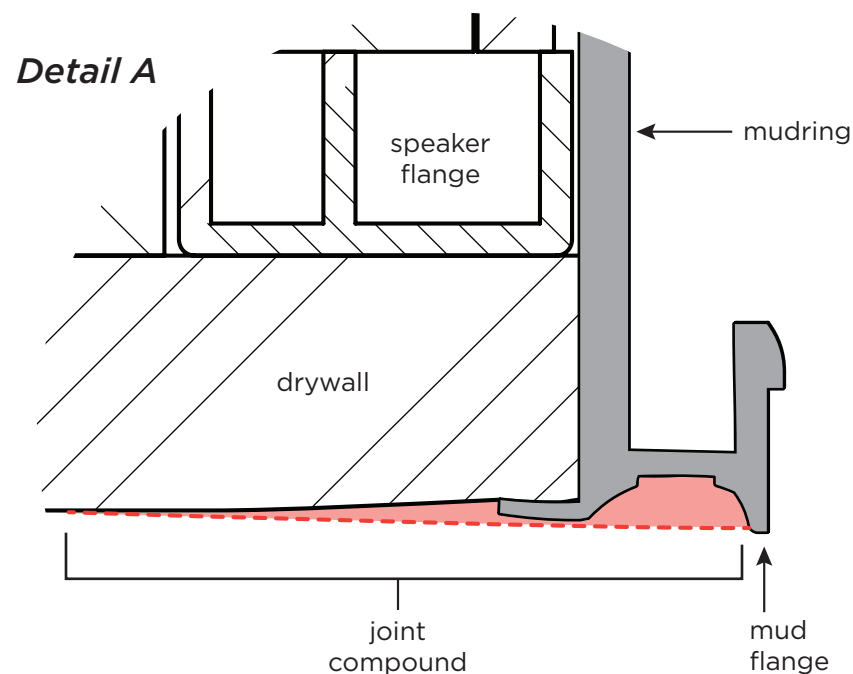
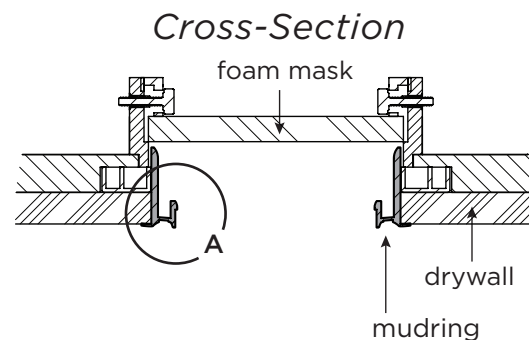


ASSEMBLY, cont.

7 Using the four #6 drywall screws, assemble mudring over drywall. Carefully tighten mudring so it sinks slightly into drywall to allow joint compound to more easily be feathered into an even surface.

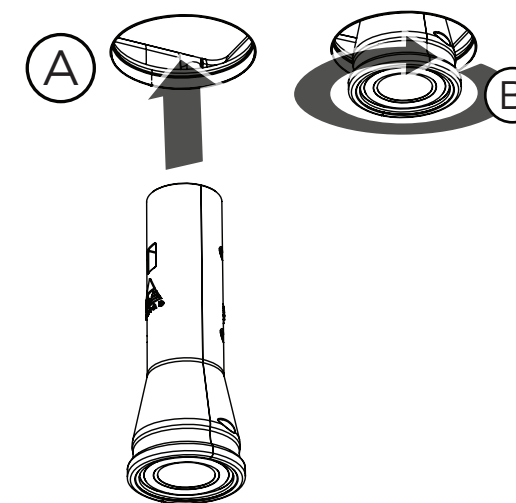
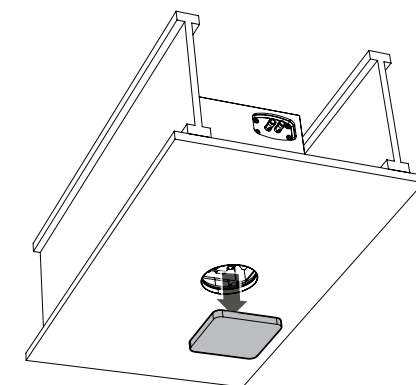


8 Cover mudring with joint compound, using the inner mud flange on the mudring to help create a clean edge.



ASSEMBLY, cont.

9 Once mudding and painting is done, remove foam mask from inside compartment. **Note:** Pushing in the middle of the foam will force it to flex and expose an edge that can be grabbed to pull it out.



10 Full-Range only:
(A) Insert UBD assembly through opening. (B) Once UBD assembly is partially seated, rotate clockwise until it sinks further into the opening. Continue rotating clockwise until it locks into place.

11 Insert grill into opening. All grill options (shown below) are installed the same way.

