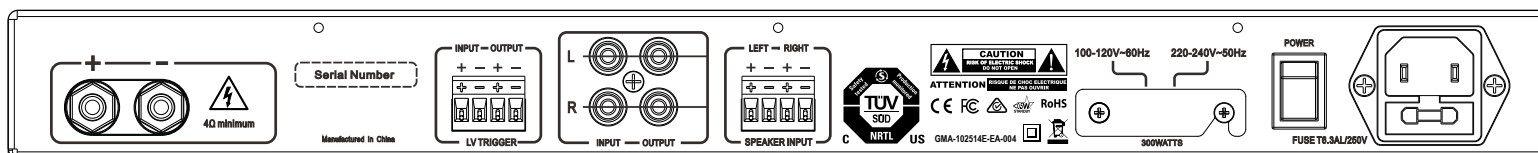
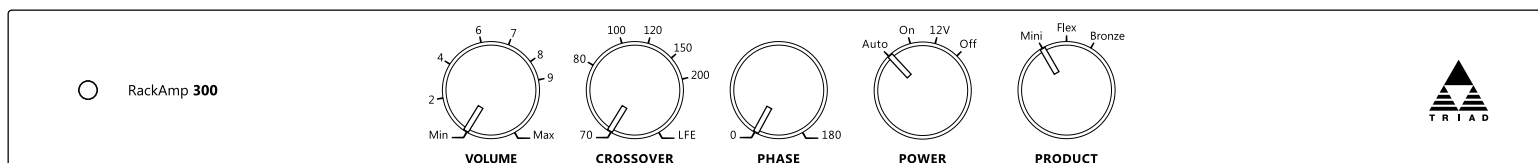




Helpful Information - Triad RackAmp 300



RackAmp 300 drives speaker loads of 4 ohms or greater. 8 ohm subwoofers may be used in parallel. RackAmp 300 is intended for use with the following products depending on the "Product" dial's location:

Dial Setting	Subwoofer Product
Mini	Mini InRoom, Mini InCeiling
Flex	Mini FlexSub
Bronze	Bronze SlimSub (InWall, InRoom, and OnWall), Bronze InRoom, and Bronze InCeiling

Note: RackAmp 300 is designed to work with certain Triad subwoofers ONLY. This is not a universal subwoofer amplifier. It is bandwidth limited to 300 Hz.

Power - Default Auto. Upon sensing input signal, amplifier powers ON (blue LED) automatically within a few seconds. Amplifier powers OFF (red LED) to low power consumption Standby mode approximately 15 minutes after last sensed signal. ON and OFF settings power the amplifier manually.

Crossover - Default LFE. If sub crossover is set up in Receiver or Pre-Pro, set RackAmp 300 Crossover to default LFE (no Lowpass Filter). If your electronic components have no sub crossover, e.g. most 2 channel systems, set RackAmp 300 Crossover to the -6dB bass frequency specified for main speakers.

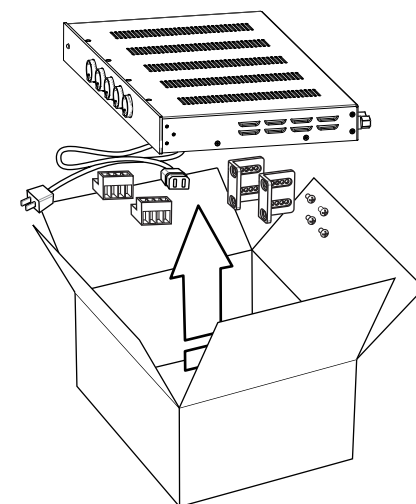
Volume - Default 0. Set appropriate level for calibrating your AVR or Pre-Pro. For 2 channel systems, set volume level so subwoofer output matches and blends with your main speakers and amplifier.

Phase - Default 0. Select anywhere from 0 degrees in-Phase to 180 degrees inverted Phase.

No output? The RackAmp 300 may have gone into protection. Check your speaker wires for shorts, correct if necessary, and reset the RackAmp 300 by flipping the main power switch on the back panel off for 30 seconds. In case of blown fuse, replace with T6.3AL/250V

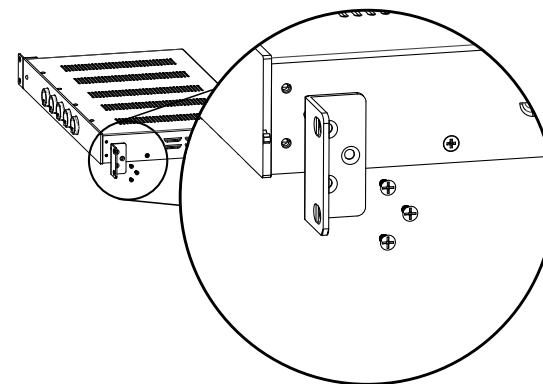
RackAmp 300 is 1 RU high, standard 16" rack width, and 10.25" at its deepest point

A Unpacking / Contents



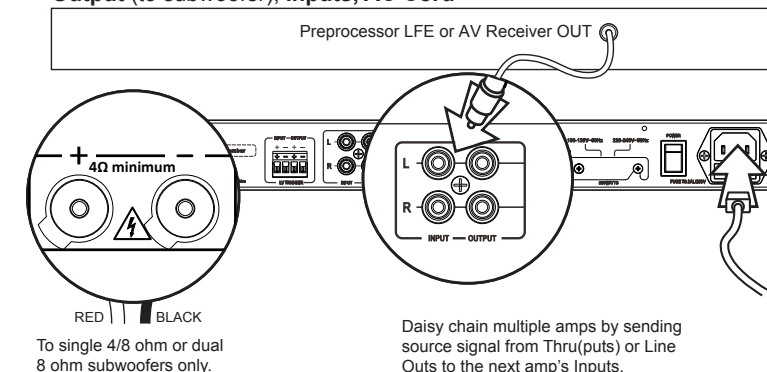
B Rack Ear Installation

Install rack ears with included screws after removing screws that come pre-installed in the rack ear position.

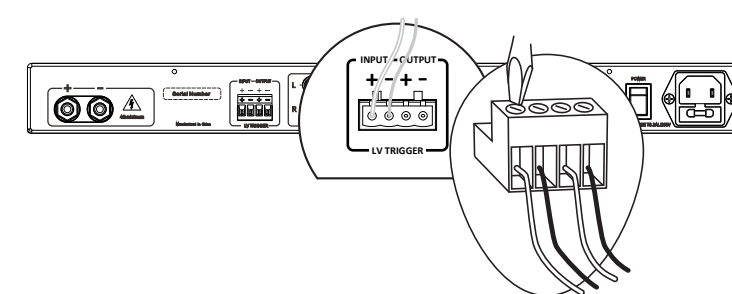


C Connections

Output (to subwoofer), Inputs, AC Cord



12 Volt Trigger - Via snap-in/pull-out phoenix connector. Input from low voltage (3-15V) trigger source. Daisy-chain LV Output to next amp's Input.



Triad North American Warranty



Triad amplifiers are warranted to be free from defects in materials and workmanship for a period of three (3) years, when operated under normal conditions. This limited warranty period begins on the date of purchase. This limited warranty is extended only to Triad products and is expressly in lieu of all other warranties expressed or implied. Should any defect in materials or workmanship occur within the limited warranty period, customers in the United States should contact Triad Customer Service at 1-503-517-2668 to obtain a Return Authorization (RA) Number. Customers outside the United States should contact their dealer for service. The product should be returned in its original packaging together with proof and date of purchase with the RA number clearly visible on outside of the box. At our discretion, we will repair or replace the product and return it, free from charge. If you do not have the original packaging for the product, contact your dealer or Triad Service, and we will provide it for you.


TriadSpeakers, Inc.
15835 NE Cameron Blvd. • Portland, Oregon 97230
800-666-6316 Sales • 503-517-2668 Service

WARNING

To prevent injury, the rack this amplifier is installed into must be securely attached to the floor/wall in accordance its installation instructions.

	CAUTION Risk of Electrical Shock! DO NOT OPEN!	
ATTENTION ! RISQUE DE CHOC ! ÉLECTRIQUE PAS OUVRIR !		

	The lightning flash with arrowhead symbol, within an equilateral triangle, is intended to alert the user to the presence of uninsulated dangerous voltage within the product's enclosure that may be of sufficient magnitude to constitute a risk of electric shock to persons.
	The exclamation point within an equilateral triangle is intended to alert the user to the presence of important operating and maintenance (servicing) instructions in the literature accompanying the appliance.

1. Read these instructions.
2. Keep these instructions.
3. Heed all warnings.
4. Follow all instructions.
5. Do not use this apparatus near water.
6. Clean only with dry cloth.
7. Do not block any ventilation openings. Install in accordance with the manufacturer's instructions.
8. Do not install near any heat sources such as radiators, heat registers, stoves, or other apparatus (including amplifiers) that produce heat.
9. Do not defeat the safety purpose of the polarized or grounding-type plug. A polarized plug has two blades with one wider than the other. A grounding type plug has two blades and a third grounding prong. The wide bladed or the third prong are provided for your safety. If the provided plug does not fit into your outlet, consult an electrician for replacement of the obsolete outlet.
10. Protect the power cord from being walked on or pinched particularly at plugs, convenience receptacles, and the point where they exit from the apparatus.
11. Only use attachments/accessories specified by the manufacturer.
12. Use only with the cart, stand, tripod, bracket, or table specified by the manufacturer, or sold with the apparatus. When a cart is used, use caution when moving the cart/apparatus combination to avoid injury from tip-over. 
13. Unplug this apparatus during lightning storms or when unused for long periods of time.
14. Refer all servicing to qualified service personnel. Servicing is required when the apparatus has been damaged in any way, such as power-supply cord or plug is damaged, liquid has been spilled or objects have fallen into the apparatus, the apparatus has been exposed to rain or moisture, does not operate normally, or has been dropped.
15. The equipment shall be used at maximum 35 degree C ambient temperature.
16. To reduce the risk of electrical shock, do not open the equipment. For safety reasons it is only allow to the opened by qualified service personnel.
17. **WARNING:** To reduce the risk of fire or electric shock, do not expose this apparatus to rain or moisture. Additionally, the apparatus shall not be exposed to dripping or splashing and no objects filled with liquids shall be placed on the apparatus.
18. The MAINS plug is used as the disconnect device and shall remain readily operable.
19. The product shall be used on open bench.
20. No naked flame sources, such as lighted candles, should be placed on the apparatus.