

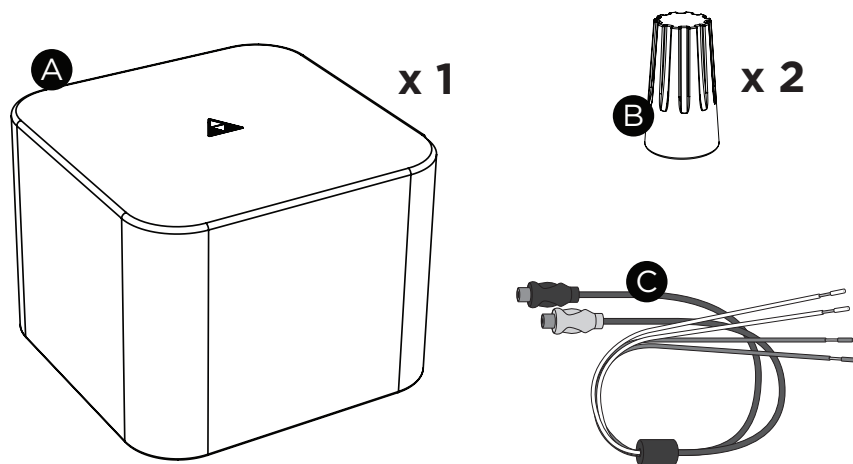
TRIAD QUICK START GUIDE - GARDEN ARRAY GA10 SUB

OVERVIEW

The Triad Garden Array is a family of premium, all-weather landscape speakers that are the perfect combination of elegance, sound, and durability. This family includes the unique GA4 Satellite and the powerful GA10 Subwoofer speakers, and are designed to be placed throughout flowerbeds or around the yard blanketing outdoor spaces with rich, beautiful audio. The GA10 Subwoofer is designed for both above- and below-ground installations so the base can be located exactly where you want it—on the patio or deck, or buried near a pool, gazebo, or pergola. Accessory kits are available for either type of installation.

IN THE BOX

- A - Sub enclosure
- B - Silicone wire nuts (x2)
- C - RCA to bare wire adapter



WARRANTY

Triad Speakers warranty information

Limited Hardware Warranty—Triad Speakers warrants its hardware product to be free from defects in material and workmanship during the warranty period. If the hardware proves to be defective in material or workmanship during the warranty period, Triad Speakers will, at its sole option, repair or replace the product with a like product. The warranty extends only to products purchased directly from Control4 Corporation or an Authorized Control4 Dealer. For complete limited warranty information, including details on purchaser legal rights as well as limited warranty exclusions, visit www.triadspeakers.com/legal/warranty.

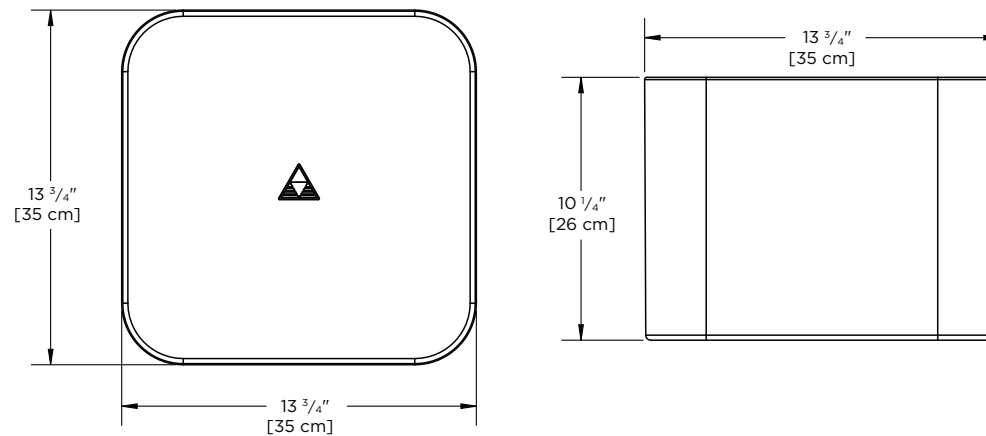
Return Merchandise Authorization (RMA) information

For Sales RMAs contact your Inside Sales Associate. Your ISA information can be found in the My Account section of the Dealer Portal under Control4 Contacts.

Technical Support information

Phone: 503-517-2668
Hours: 9:00 a.m. - 5:30 p.m. PST (Monday - Friday)
Email: service@triadspeakers.com

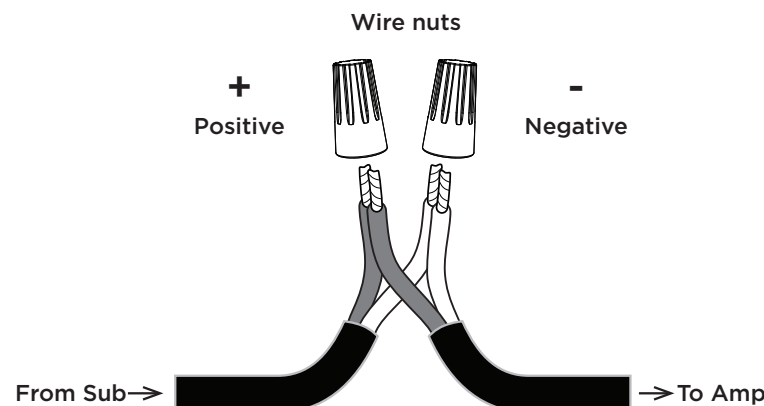
DIMENSIONS - GA10 SUB



SPECIFICATIONS - GA10SUB

Enclosure size - in. (H x W x D)	10 1/4 x 13 3/4 x 13 3/4	Triad RackAmp 300 product setting	Mini
Enclosure size - cm (H x W x D)	26 x 35 x 35	Nominal Impedance (ohms)	4
Product weight /each	23.6 lbs 10.72kg	Minimum Impedance (ohms)	3.5
Shipping weight	29 lbs 13.15kg	Max Output (dB)	102
Woofer size (in.)	10" nominal	Frequency Response	F3@25Hz
Woofer material	Composite		

WIRING DIAGRAM



WIRE GAUGE CHART

Depending on the length of wire needed, use this guide to determine the gauge of wire used.

wire gauge	4-ohm speaker	6-ohm speaker	8-ohm speaker
18 AWG	16 ft.	24 ft.	32 ft.
16 AWG	24 ft.	36 ft.	48 ft.
14 AWG	40 ft.	60 ft.	80 ft.
12 AWG	60 ft.	90 ft.	120 ft.
10 AWG	100 ft.	150 ft.	200 ft.

SETTINGS FOR USE WITH RACKAMP 700

Setting	Mini FlexSub (see additional settings below)			
Room EQ	On			
Volume Max	0 dB			
Additional PEQ settings	PEQ	(dB) Gain	(Hz) Freq.	Q
	1	-18	270	8
	2	-10	120	12
	3	+8	76	3
	4	-5	40	5

ACCESSORIES

The GA10 Sub requires one of two installation kits, pictured below.

