

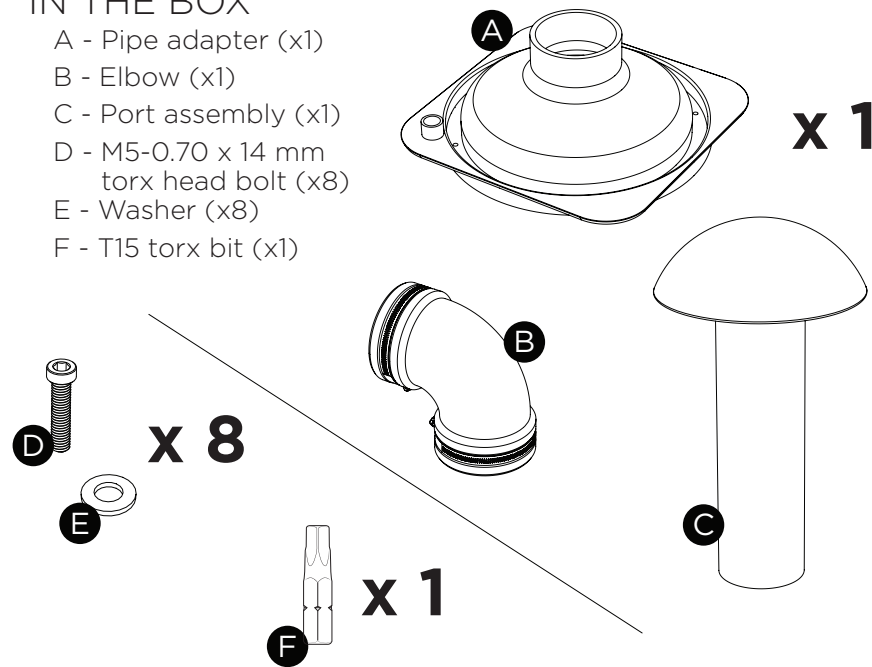
TRIAD QUICK START GUIDE - GA10 SUB UNDERGROUND KIT

OVERVIEW

The Triad Garden Array is a family of premium, all-weather landscape speakers that are the perfect combination of elegance, sound, and durability. This family includes the unique GA4 Satellite and the powerful GA10 Subwoofer speakers, and are designed to be placed throughout flowerbeds or around the yard blanketing outdoor spaces with rich, beautiful audio. With this optional Underground Kit, the GA10 Subwoofer can be buried in the landscaping with only a discreet, mushroom-like sound port visible.

IN THE BOX

- A - Pipe adapter (x1)
- B - Elbow (x1)
- C - Port assembly (x1)
- D - M5-0.70 x 14 mm torx head bolt (x8)
- E - Washer (x8)
- F - T15 torx bit (x1)



WARRANTY

Triad Speakers warranty information

Limited Hardware Warranty—Triad Speakers warrants its hardware product to be free from defects in material and workmanship during the warranty period. If the hardware proves to be defective in material or workmanship during the warranty period, Triad Speakers will, at its sole option, repair or replace the product with a like product. The warranty extends only to products purchased directly from Control4 Corporation or an Authorized Control4 Dealer. For complete limited warranty information, including details on purchaser legal rights as well as limited warranty exclusions, visit www.triadspeakers.com/legal/warranty.

Return Merchandise Authorization (RMA) information

For Sales RMAs contact your Inside Sales Associate. Your ISA information can be found in the My Account section of the Dealer Portal under Control4 Contacts.

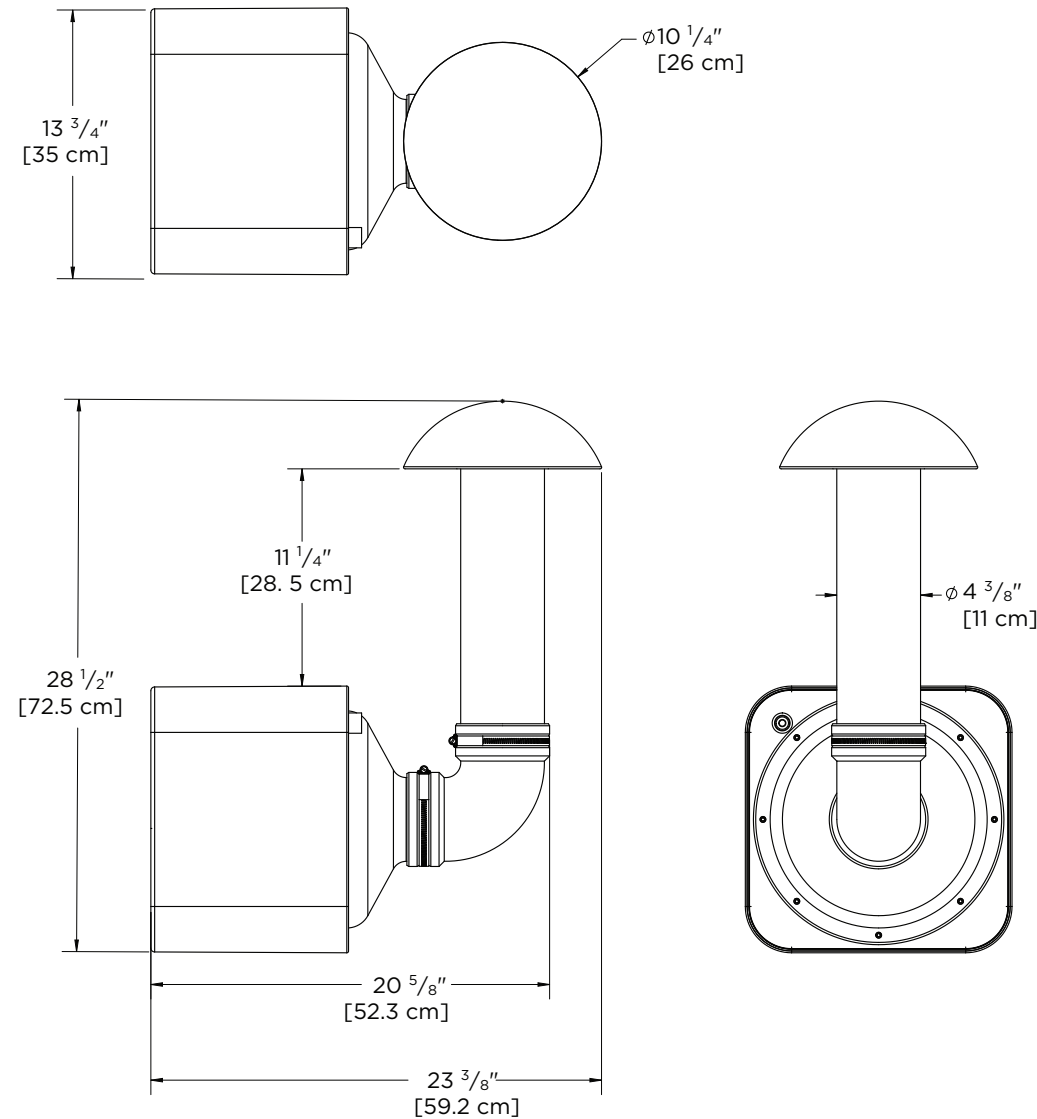
Technical Support information

Phone: 503-517-2668
Hours: 9:00 a.m. - 5:30 p.m. PST (Monday - Friday)
Email: service@triadspeakers.com

TOOLS NEEDED

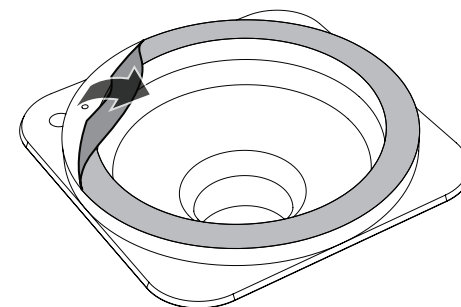
In addition to typical installation tools, Triad recommends the following items:
- 7 mm (9/32") socket wrench

DIMENSIONS - GA10 SUB UNDERGROUND KIT (WITH SUB)



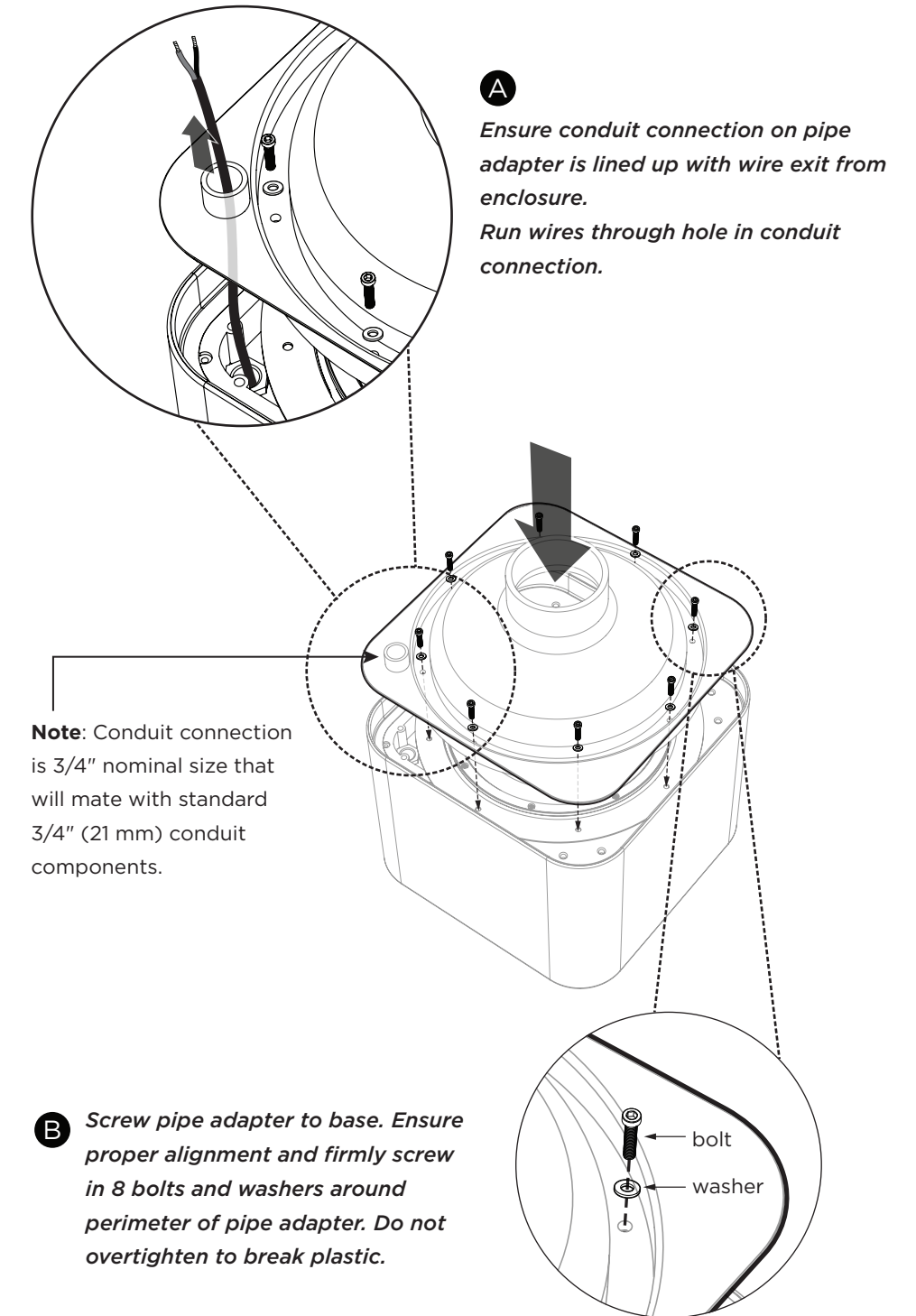
ASSEMBLY

- 1** Remove paper cover from gasket on underside of pipe adapter.



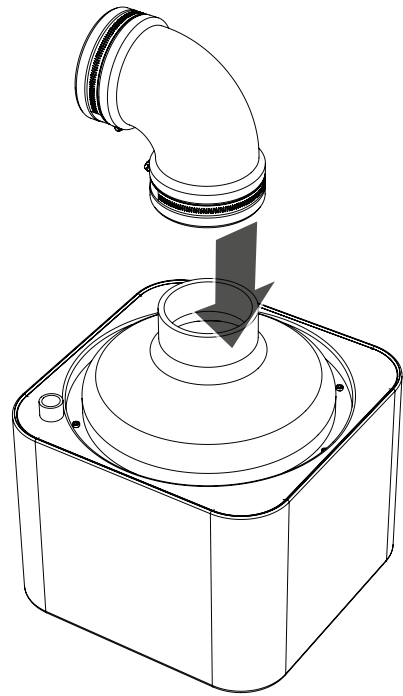
ASSEMBLY cont.

- 2** Assemble pipe adapter to base.



TRIAD QUICK START GUIDE - GA10 SUB UNDERGROUND KIT

ASSEMBLY cont.

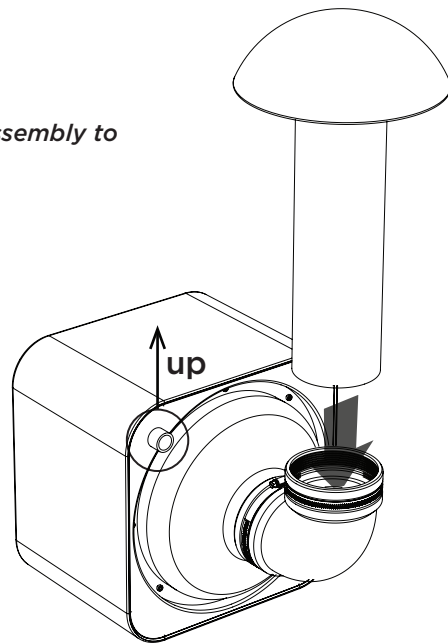


- 3** Firmly seat rubber elbow to pipe adapter.

Do not tighten pipe clamp.

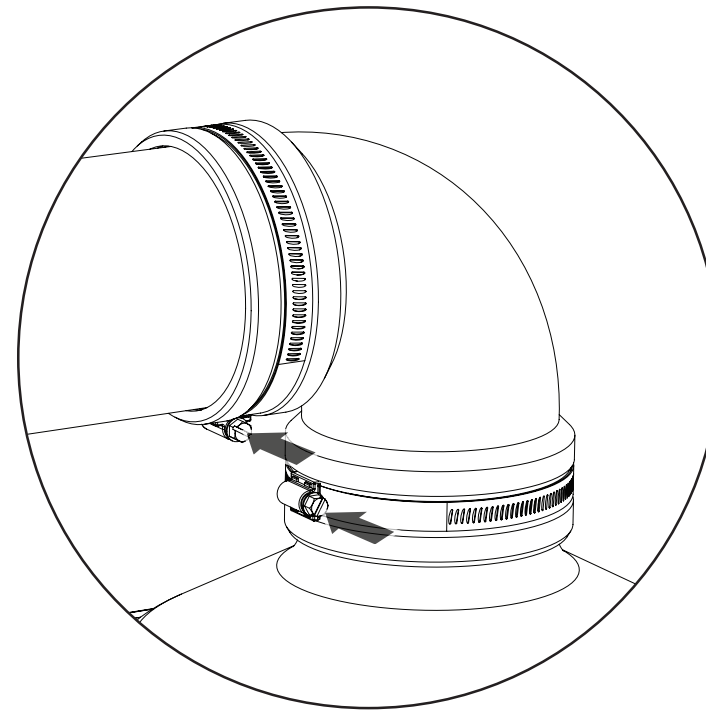
- 4** Firmly seat port assembly to rubber elbow.

Port assembly should point in the direction of the conduit connection.

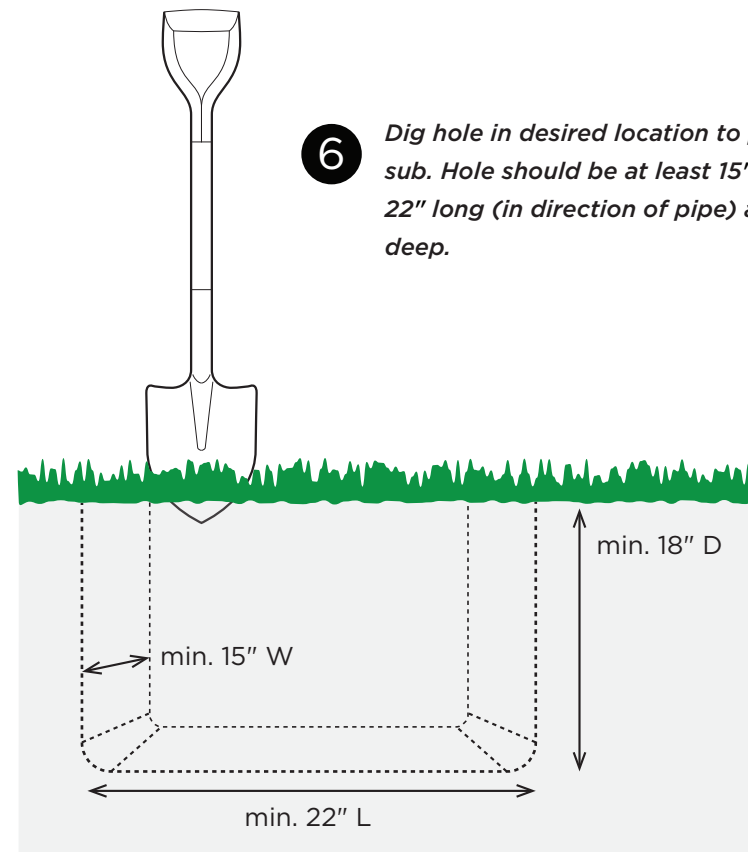


ASSEMBLY cont.

- 5** Twist port assembly to desired location and tighten pipe clamps. Port assembly should not be able to twist after clamps are tightened.

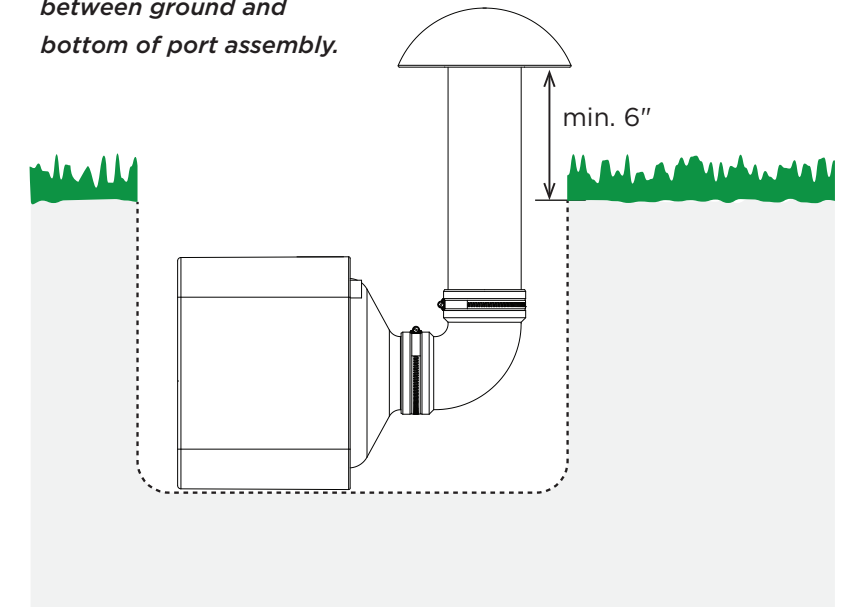


- 6** Dig hole in desired location to place sub. Hole should be at least 15" wide, 22" long (in direction of pipe) and 18" deep.



ASSEMBLY cont.

- 7** Place sub in hole. Ensure a minimum distance of 6" between ground and bottom of port assembly.



- 8** Connect speaker wire to amp line. If possible, test sub for correct operation before filling hole.

- 9** Fill hole around sub.

