

## 2: Box Contents

Before installing, familiarize yourself with the parts of your mount.

- Arm mount (metal bracket and plastic arm)
- 4 wall anchors with screws
- 3 screws to attach the camera plate to the arm mount
- Self-adhesive mounting template

## Other Required Equipment

- Camera with base mount
- Precision Phillips screwdriver

## 1: Preparation

Before you start, ensure that the hardware is in good condition and all assembly parts are included.

Check that the mounting surface is strong enough to withstand three times the weight of the mount and camera.

If installing on a cement surface, use the included expansion anchors to install the mount. If installing on a wood surface, use self-tapping wood screws (not included) to secure the mount.

Take care that all equipment is powered off during installation.

**Important Note:** To avoid damaging the surface of your camera during installation, keep it away from walls and other objects. Do not remove the protective coating from the camera until after it is completely installed.

If the product does not assemble properly, please contact technical support.

## Compatibility

This can be used with Luma Surveillance 310-series IP PTZ cameras only.

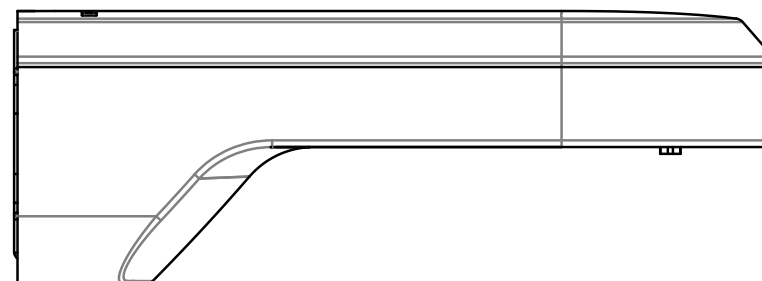
## 3: Prepare for Installation

Separate the metal bracket from the plastic arm.

Use the screws provided to attach the camera base plate to the arm mount. Be sure that the area labeled *FRONT* faces away from the wall.

Run the camera cables through the arm mount.

Attach the mini IP PTZ camera to the base plate by turning the camera clockwise to lock it in place.

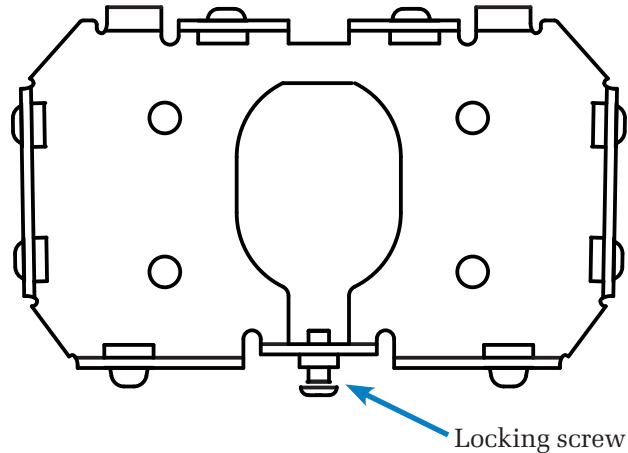


## 4: Attach the Bracket

Using the mounting template, mark the locations for your mounting screws or wall anchors. Drill pilot holes for your screws or bolts, as well as a cable hole.

Secure the arm mount's metal bracket to the wall. The locking screw should be at the bottom, as shown. Leave the locking screw loose at this time.

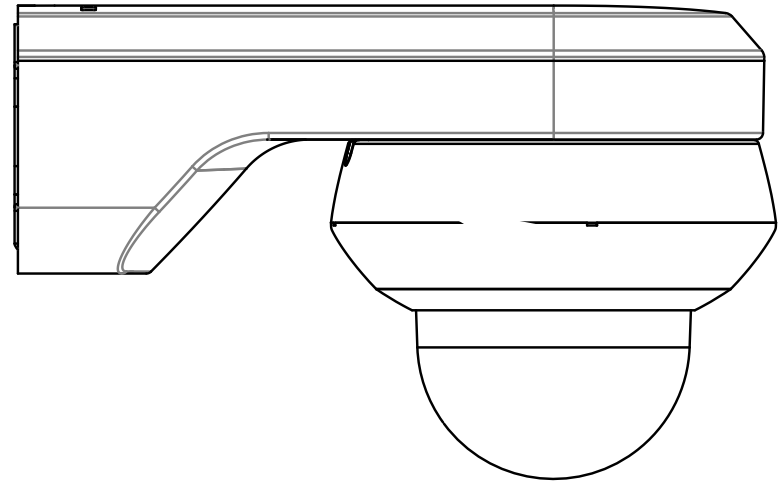
Thread the wires from the wall through the center of the bracket.



## 5: Attach the Arm

Connect the camera wiring to the wiring from the wall.

Hang the top of the plastic arm onto the bracket, then swing the arm down until it is horizontal. Tighten the locking screw at the base of the bracket to secure the arm in position.



## 6: Weatherproofing

We recommend you run a silicone bead between the arm mount and the installation surface, as well as between the end of the arm mount and the camera.

## Support

If you need help, email [support@SnapAV.com](mailto:support@SnapAV.com). For information, instructional videos, support documentation, or ideas, visit our website.

### 5-Year Limited Warranty

This Luma Surveillance™ product has a 5-Year Limited Warranty. This warranty includes parts and labor repairs on all components found to be defective in material or workmanship under normal conditions of use. This warranty shall not apply to products that have been abused, modified or disassembled. Products to be repaired under this warranty must be returned to a designated service center with an assigned return authorization (RA) number. Contact technical support for an RA number.

Copyright ©2020 Luma Surveillance. All rights reserved.