



PROFILESUB

OWNER'S GUIDE



CONTENTS

4	IMPORTANT SAFETY INSTRUCTIONS
5	INTRODUCTION
6	PLACEMENT OF SUBWOOFER
7	INSTALLATION
9	CONTROLS AND CONNECTIONS
11	2.1 SET-UP
12	MULTI-CHANNEL SET UP
13	SPECIFICATIONS AND WARNING
14	TECHNICAL SUPPORT AND WARRANTY

IMPORTANT SAFETY INSTRUCTIONS

All safety instructions should be read and followed before the product is operated.

WARNING

DO NOT OPEN OR REMOVE ANY COMPONENTS - DANGER OF ELECTRICAL SHOCK. THERE ARE NO USER SERVICEABLE PARTS INSIDE.

ALWAYS PROVIDE ADEQUATE VENTILATION AS THE UNIT MAY BECOME HOT DURING USE. DO NOT PLACE NEAR A HEAT SOURCE OR COVER.

FURTHER ADVICE

Do not use this product near water or moisture, or heat sources like radiators.

Only use the power cable supplied.

Route the power cable away from areas where it could be damaged or walked on.

Do not overload wall sockets or extension cords.

If there is any damage or failure, unplug the subwoofer from the wall socket immediately and consult qualified sources for advice.

In the event of a failure, contact your dealer, distributor or Gallo Acoustics directly to arrange repair.

PRODUCT DISPOSAL INSTRUCTIONS

(WEEE DIRECTIVE)

The symbol shown here means that it is classed as Electrical or Electronic Equipment and should not be disposed with other household or commercial waste at the end of its working life.

The Waste of Electrical and Electronic Equipment (WEEE) Directive (2002/96/EC) has been put in place to recycle products using best available recovery and recycling techniques to minimise the impact on the environment, treat any hazardous substances and avoid the increasing landfill.

For more information please contact your local authority or the retailer where the product was purchased.

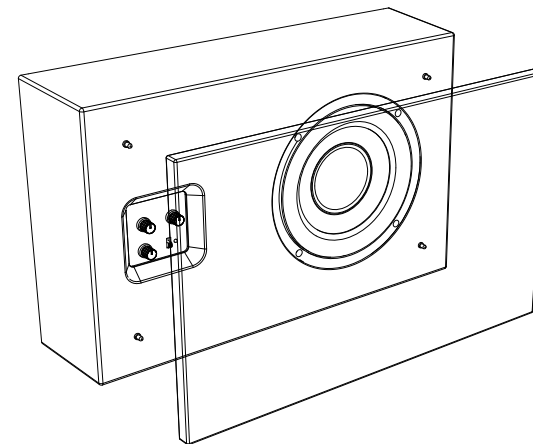
INTRODUCTION

Thank you for choosing Gallo Acoustics.

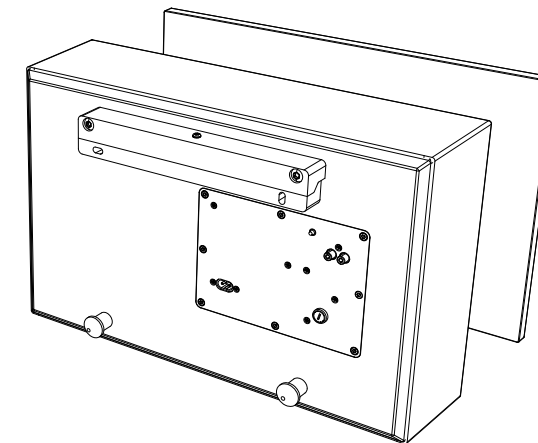
Please take the time to read and understand this guide thoroughly before installing your ProfileSub. This will ensure that you achieve optimal performance without the risk of causing damage to your subwoofer, speakers or amplifier.

RUN-IN PERIOD

Your Gallo Acoustics ProfileSub utilises technologies that only reach their optimum performance levels after a period of 20 - 40 hours of use. During this run-in process the loudspeaker driver will loosen-up, and your subwoofer will develop the acoustic characteristics that are our signature.



PROFILESUB FRONT



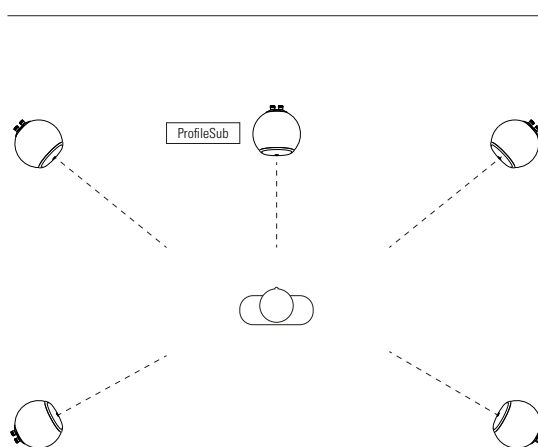
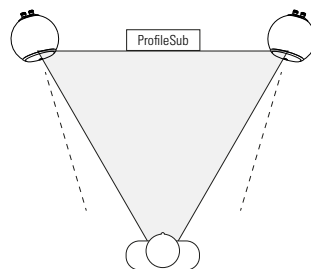
PROFILESUB BACK

PLACEMENT

The placement of your ProfileSub subwoofer within the room is not as critical as speaker placement, since frequencies of 80Hz and below are non-directional. This allows you to place the subwoofer wherever you want in the room - either mounting on a wall, or flat on its back under furniture.

- Ensure that the PHASE control is used properly.
As a general rule, if the subwoofer is in front of the listening position have the PHASE control at 0°. If the subwoofer is behind the listening position, then set the PHASE to 180°.
- Disconnecting your loudspeakers so you are only listening to bass playback will help as you try to find areas of the room where bass is overpowering, or where bass is lacking.

Another tactic would be to select several positions that will suit the aesthetics of the room, and try each position in turn to see which position provides the best response. The settings of the subwoofer can then be tailored to suit the position.



INSTALLATION

ProfileSub is primarily designed to be mounted on a wall, it can however be placed flat on its back and hidden from view under furniture, such as a sofa.

WALL MOUNTING

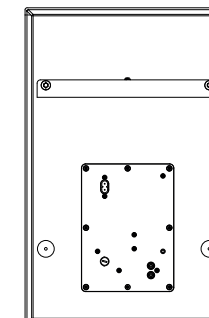
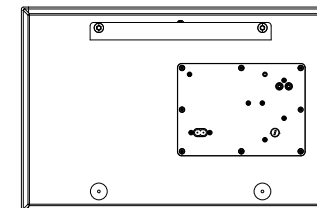
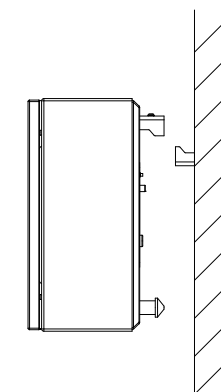
When wall mounting, please be sure to use fixings suitable for both the weight of the subwoofer and the wall construction.

- Attach the wall bracket to the wall using appropriate fixings
- Use a spirit level to ensure the bar is straight and adjust appropriately
- Hang ProfileSub over the mounting bar with the feet resting against the wall
- Use the locking screw provided to secure ProfileSub on the mounting bar

ORIENTATION CHANGE

ProfileSub can be mounted in either a horizontal or vertical format by changing the position of the mounting bar and feet on the rear. This can allow for a neater installation and helps integrate the subwoofer into the aesthetic of the room.

- Remove the mounting bar and retain the screws, then unscrew the feet
- Refit the mounting bar and feet in the desired position

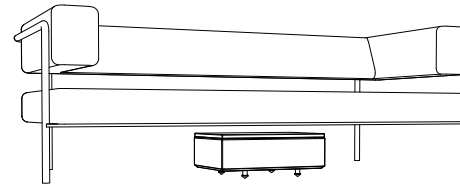
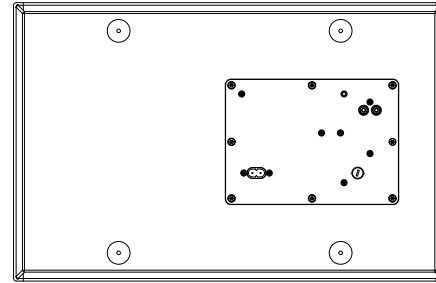


INSTALLATION (Cont'd)

USE AT FLOOR LEVEL

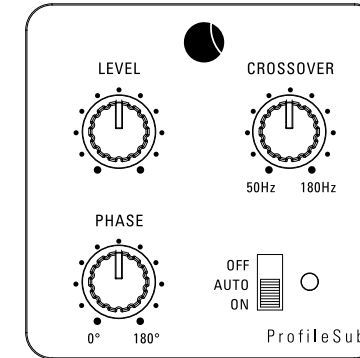
ProfileSub can be also be used at floor level, flat on its back. This allows for a very tidy and easy installation. The ProfileSub can then be hidden under furniture out of sight.

- Remove the mounting bar
- Screw the spare feet in place of the mounting bar

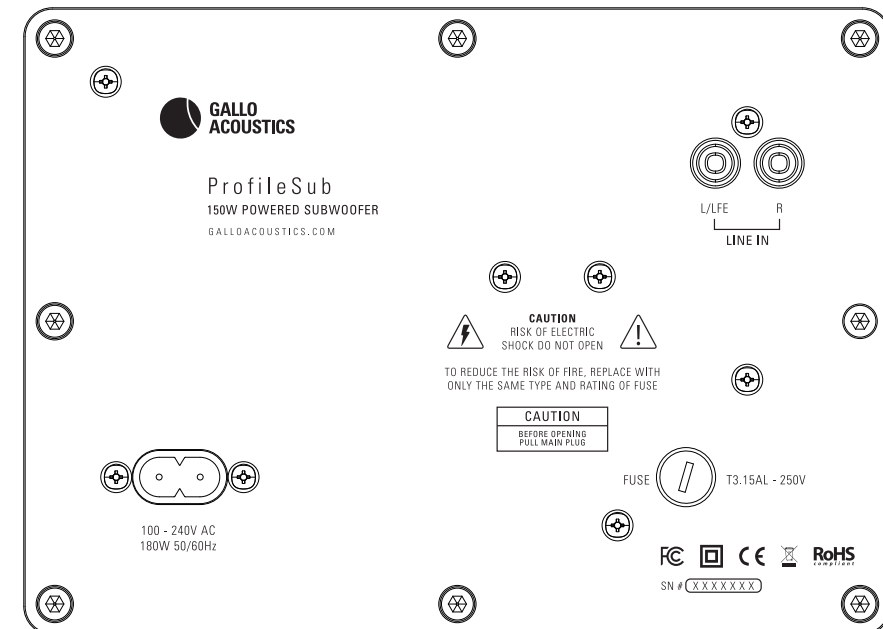


CONTROLS AND CONNECTIONS

FRONT CONTROL PANEL



REAR CONNECTOR PANEL



CONTROLS

CROSSOVER

The CROSSOVER control is variable from 50Hz to 180Hz. In simple terms, the subwoofer will play all frequencies below the CROSSOVER setting.

LEVEL

The LEVEL control sets the volume of the subwoofer in relation to the main speakers. Once set, volume will climb and decrease along with your main system volume.

PHASE

The PHASE control allows you to adjust the phase of the subwoofer relative to the main speakers. This helps when positioning the subwoofer - in general, if the subwoofer is in front of the listening position have the PHASE set to 0°. If the subwoofer is behind the listening position, then set the PHASE to 180°.

POWER SWITCH

Set to either OFF, AUTO or ON. When set to AUTO, the ProfileSub will automatically detect a signal from the source amplifier and, in turn, will power up the subwoofer. It will also return to its standby mode automatically when the source is no longer detected.

CONNECTIONS

LINE IN/OUT

This is used to connect your ProfileSub to your amplifier using a coaxial (RCA) cable. Connect the subwoofer pre-out or LFE (SUBWOOFER) output on your amplifier to the LINE IN on the subwoofer.

POWER CONNECTOR

Plug the AC power cable here, and then into a mains supply, do this after all other connections have been made.

FUSE

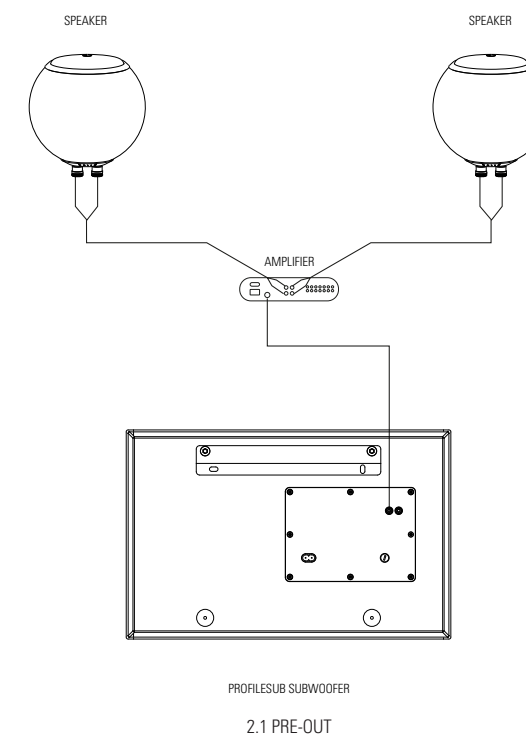
The fuse protects ProfileSub from abnormal power conditions. If the subwoofer fails to power, check this fuse and only replace with the type noted below:

T3.15AL 250V fuse

2.1 SET-UP

When using your ProfileSub in a 2.1 set-up, connect as follows :

- Run speaker cables from your amplifier to your loudspeakers.
- If your amplifier has a dedicated subwoofer output, then this can be used to connect your amplifier to the subwoofer using a single coaxial (RCA) cable. Connect to the L/LFE LINE IN on the subwoofer.
- If your amplifier has pre-outs, then this can be used to connect your amplifier to the subwoofer using a set of coaxial (RCA) cables. Take care to ensure you have the left and right connected correctly
- On the subwoofer adjust the CROSSOVER to around 100Hz, once the system is playing music, you can adjust this to suit your loudspeakers performance capabilities.
- When music is playing, you can adjust the LEVEL control to match the subwoofer and loudspeaker volume.



MULTI-CHANNEL SET-UP

When using a multi-channel surround sound system, first ensure that you are familiar with your amplifier's functions to ensure that the correct mode and settings are applied.

- Identify your AV amplifier's SUBWOOFER or LFE output. Connect this to the L/LFE LINE IN on the subwoofer using a coaxial (RCA) cable.

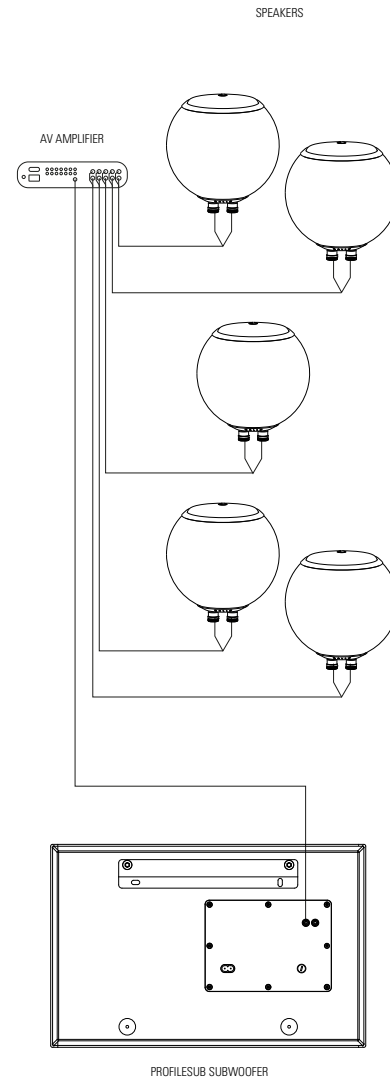
Please note - You can use a Y-splitter to split the signal into both left and right LINE IN on the subwoofer. Alternatively, some amplifiers have two LFE (SUBWOOFER) outputs, which allows direct connection to both LINE IN connectors on the subwoofer via a twin coaxial (RCA) cable.

- Make adjustments on your AV amplifier to ensure that the correct frequency range is being distributed to your satellite speakers and subwoofer.

For Gallo Acoustics Micro and A'Diva loudspeakers, use a small speaker setting on your amplifier, to protect the loudspeakers from the lowest frequencies.

- Turn the crossover dial to its maximum, as the AV amplifier will handle bass control and distribute the frequencies accordingly.
- When music or a film is playing, adjust the LEVEL control so the subwoofer volume matches the satellite speaker volume.

Consult both your AV Amplifier and loudspeaker owner's guides for more detailed set up instructions of these components.



SPECIFICATIONS

Frequency Response	32Hz to 220kHz +/- 3db
Class D Digital Power Amp	150W
Active low pass filter	50Hz to 180Hz, continually variable
Woofer	8" woofer with PP cone and NBR surround
Dimensions	W - 47.5cm (18.75") H - 30.5cm (12") D - 18.0cm (7")
Weight	10.5Kg
Enclosure Material	MDF (Medium Density Fibreboard)
Warranty	2 years

WARNING

Care must be taken positioning the subwoofer to ensure that it won't be damaged or knocked over.

If you are in any way unsure of the correct installation or use then please consult qualified sources before taking unnecessary risks.

The manufacturer, distributor or their agents cannot be held responsible for any injury as a result of improper use or installation of this product.

TECHNICAL SUPPORT

Should you encounter problems using this product, please contact your dealer or local distributor.

You can call Gallo Acoustics directly for technical support on the following numbers:

UK
01555 666883

Outside UK
+44 1555 666883

United States, Canada and South America
+1 (646) 873 6900

Alternatively, email -
support@galloacoustics.com

WARRANTY

Anthony Gallo Acoustics Ltd warrants to the end user that this product will be free from defects in materials and workmanship in the course of normal use for a period of two years from the date of purchase.

This guarantee covers breakdowns due to manufacturing faults and does not apply in cases such as accidental damage, general wear and tear, user negligence, modification or repair not by Anthony Gallo Acoustics Ltd.

To register your purchase please visit -
www.galloacoustics.com





ANTHONY GALLO ACOUSTICS LTD
THE INOX BUILDING
CALDWELLSIDE
LANARK
SCOTLAND
UNITED KINGDOM
ML11 7SR

WWW.GALLOACOUSTICS.COM
