

1 2 3 4 5 6 7 8 9

IF IN DOUBT, ASK.

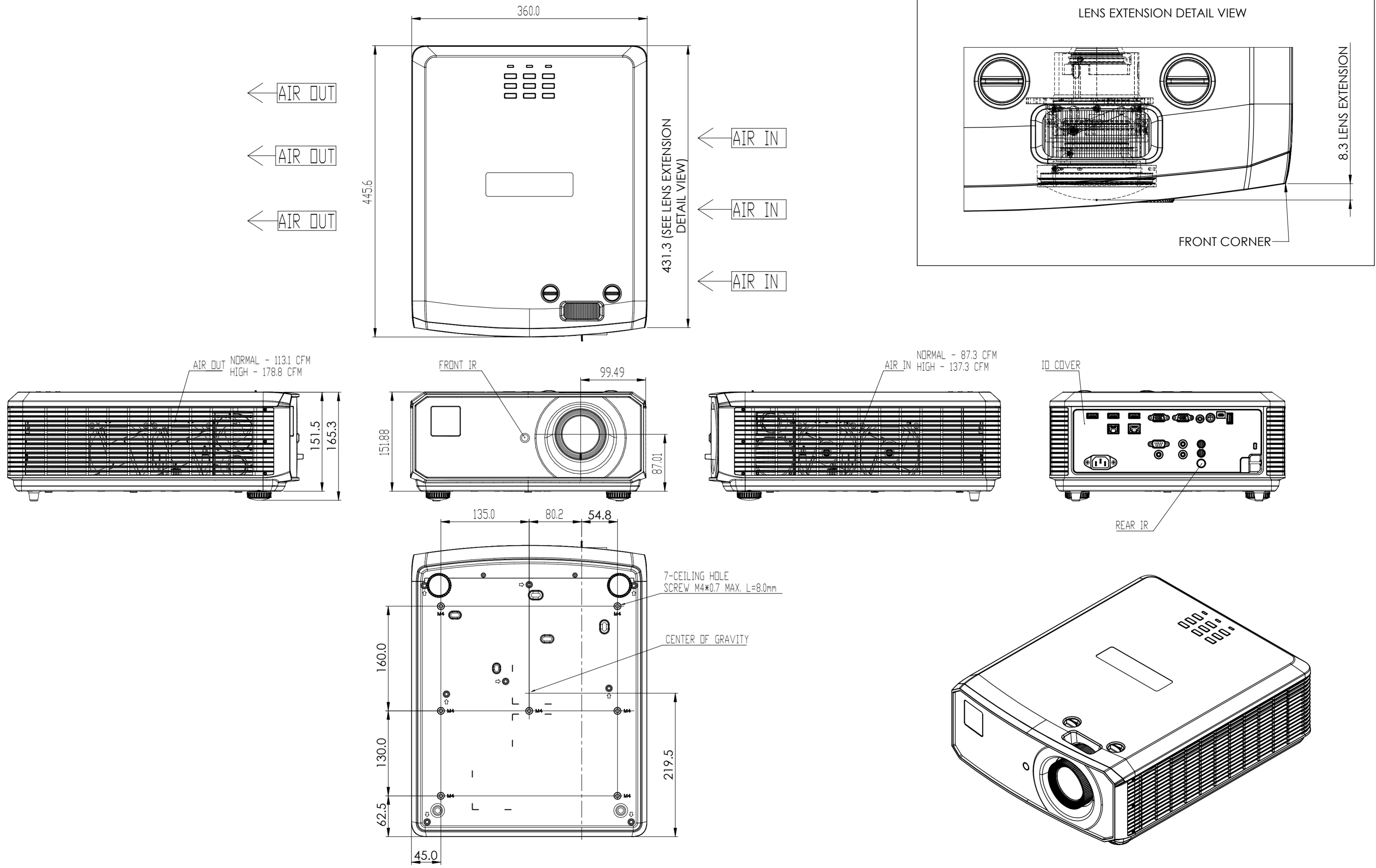
A2 DRG. No.

PROPRIETARY INFORMATION
This document contains proprietary information which is loaned to you in confidence for a specific purpose. It shall not be reproduced, stored in a retrieval system, or transmitted in any form or by any means, electronic, mechanical, photocopying, recording, or otherwise, without the prior written permission of Digital Projection Ltd. It shall be returned immediately upon request.

DRAWN BS 308
3rd Angle Projection

Distribution Code

PRE REVS	ITEM	DESCRIPTION	REFER TO	No OFF	REMARKS
	7				
	6				
	5				
	4				
	3				
	2				
	1				



A
B
C
D
E
F

MATERIAL	CAD GENERATED DRAWING DO NOT MAKE MANUAL CHANGES	TOLERANCES UNLESS OTHERWISE STATED	Unless Otherwise Stated DIMENSIONS IN MILLIMETRES	FIRST USED ON	DIGITAL PROJECTION	MIDDLETON M24 1XX
CODE	LAST CHANGE	METRIC: 1.000 ±0.01 1.00 ±0.1 1.0 ±0.2 1 ±0.4	REMOVE ALL BURRS & SHARP EDGES. DO NOT SCALE DRAWING THE SURFACE TEXTURE ROUGHNESS NUMBER OF MACHINED SURFACES SHOULD BE EQUAL TO OR LESS THAN 0.8um (N6 CLA32)	ORIGINAL SCALE: 1:4		
FINISH		IMPERIAL: Fractional ±1/64" Decimal ± 0.005"	REVISIONS: REV. A NOTE: jcharnley DRAWN: jcharnley APP.DO: DATE: 21-04-20	DRAWN: jcharnley APP.ENG: DATE: 01-04-20	TITLE: PROJECTOR, E-VISION LASER 5900 WUXGA (WHITE) WITH 1.15-1.9:1 ZOOM LENS	COMPONENT OR DRG.No. 120-551
		ANGLES ± 0° 30'				A2-SHEET 1 OF 1