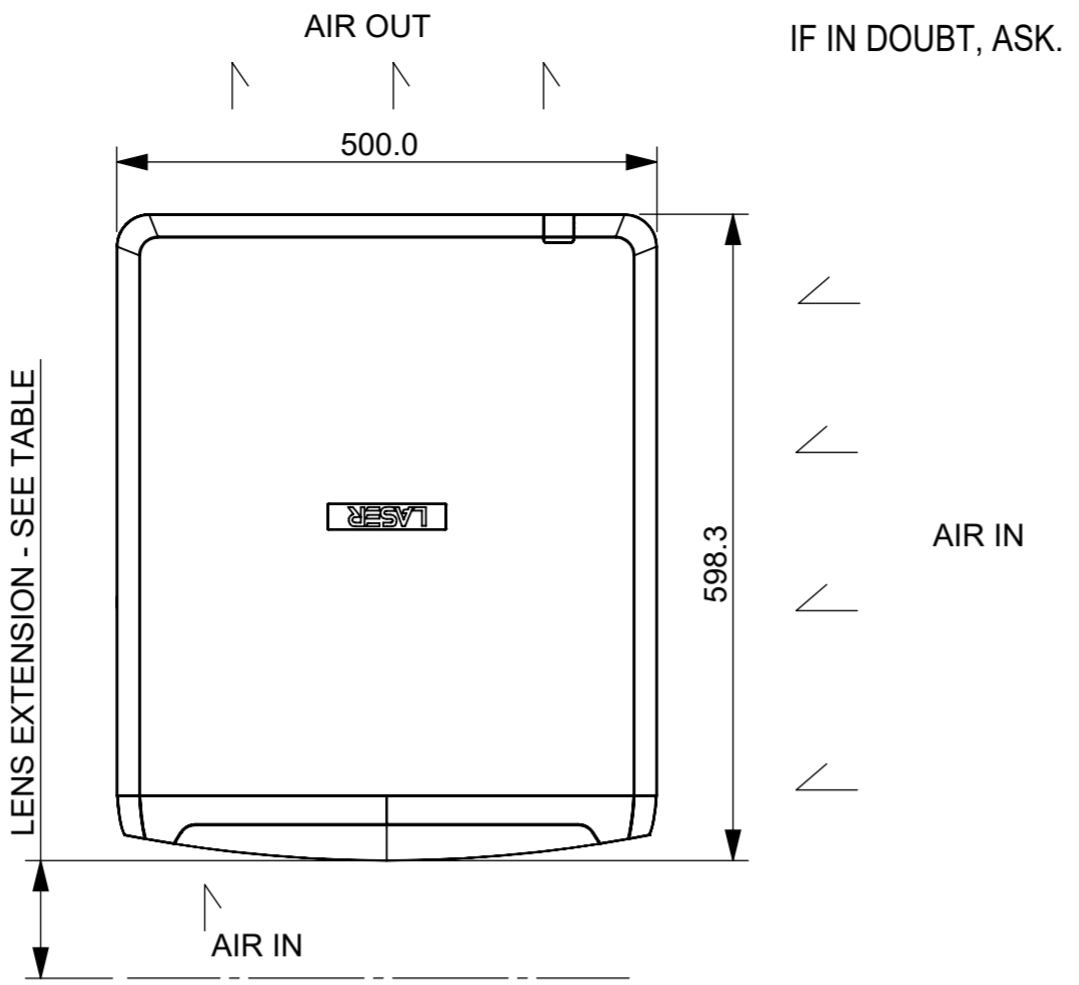


A2 DRG. No.

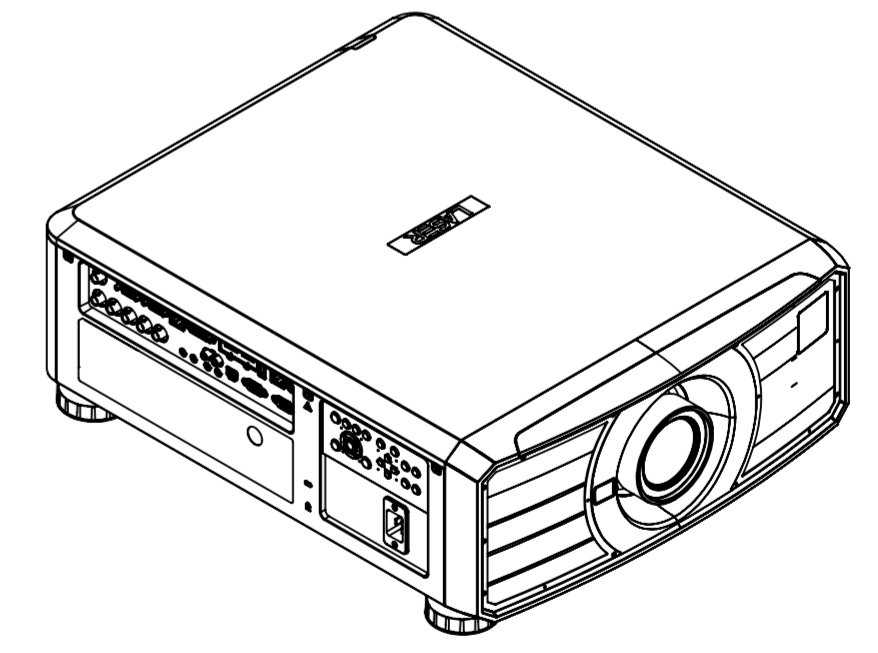
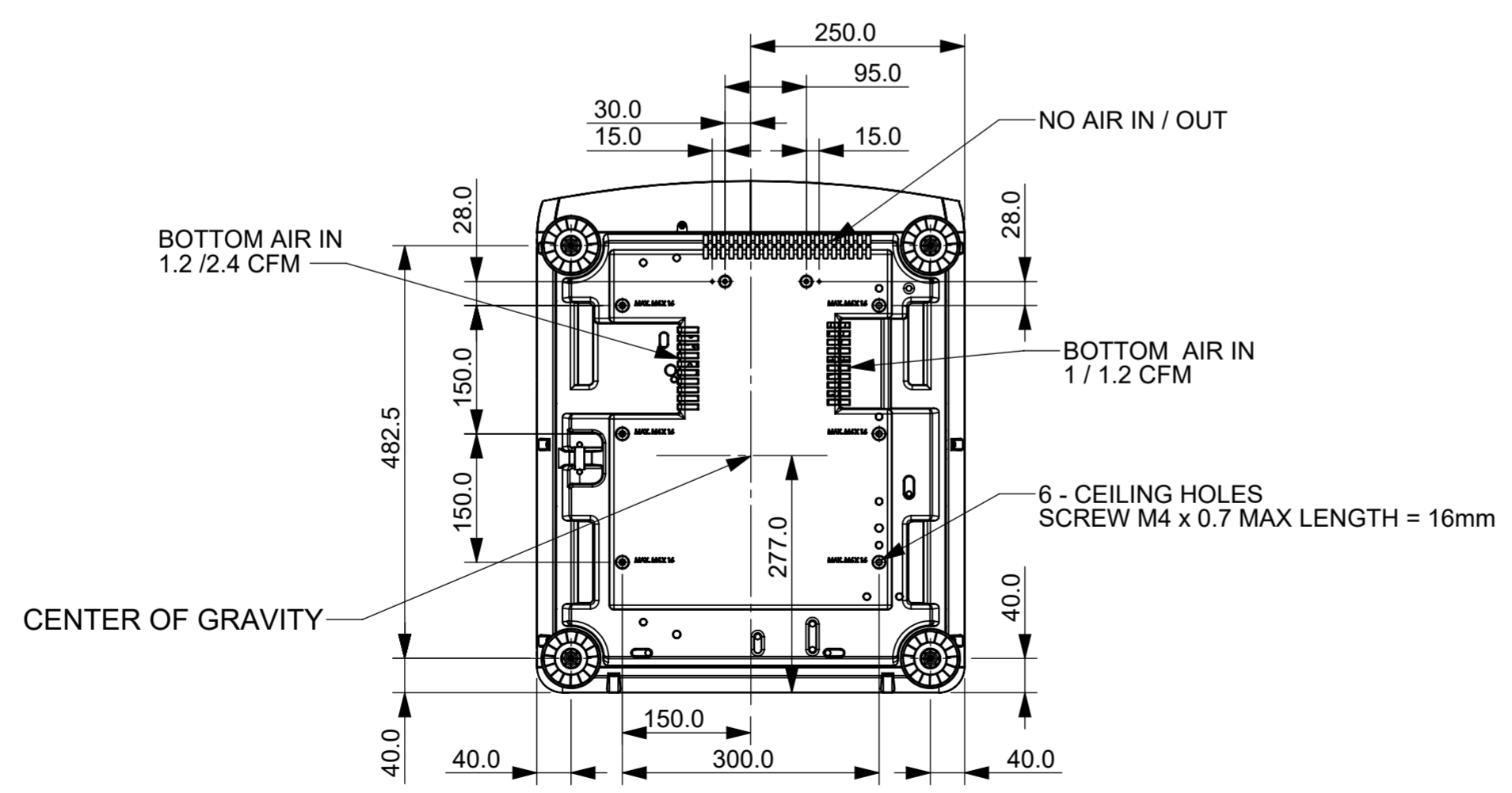
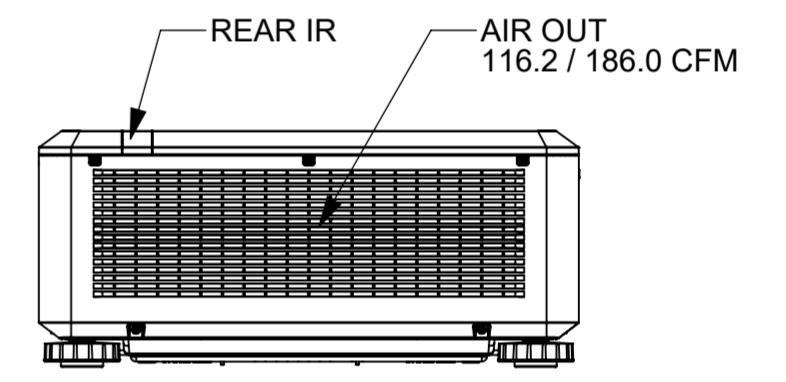
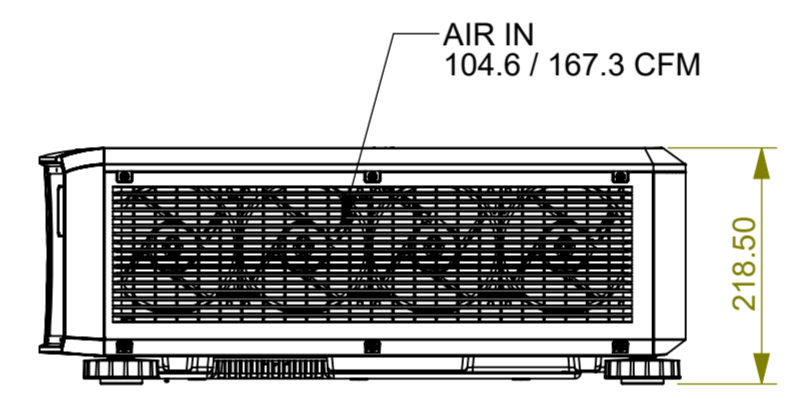
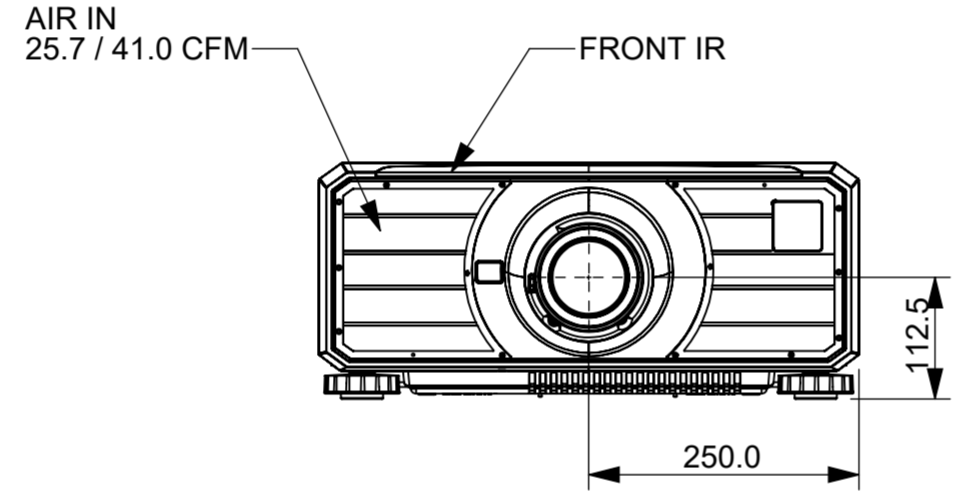
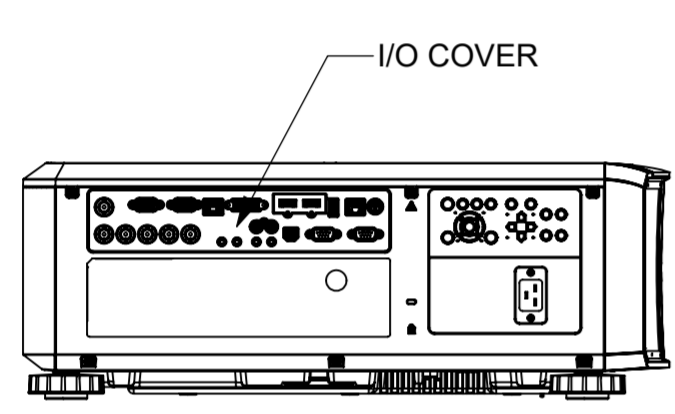
PROPRIETARY INFORMATION
 This document contains proprietary information which is loaned to you in confidence for a specific purpose. It shall not be reproduced, stored in a retrieval system, or transmitted in any form or by any means, electronic, mechanical, photocopying, recording, or otherwise, without the prior written permission of Digital Projection Ltd. It shall be returned immediately upon request.

DRAWN BS 308
 3rd Angle Projection

Distribution Code



High Brightness Lenses			
DP P/N	Throw Ratio for WUXGA (0.67" DMD) 16:10 Aspect Ratio	Outside Edge Lens Extension	Remarks
117-341B	0.377 : 1	287.5mm	Requires lens supporting bracket (included).
112-499	0.76 : 1	25.0mm	
115-339	0.75 ~ 0.93 : 1	54.4mm	Has manual curvature correction on outer lens ring.
112-500	1.25 ~ 1.79 : 1	31.5mm	
112-501	1.73 ~ 2.27 : 1	5.7mm	
112-502	2.22 ~ 3.67 : 1	24.9mm	
112-503	3.58 ~ 5.38 : 1	41.7mm	
112-504	5.31 ~ 8.26 : 1	82.3mm	



120-976	PROJECTOR, E-VISION 9100 WU (BLACK)
120-977	PROJECTOR, E-VISION 9100 WU (BLACK) TAA

PRE REVS	ITEM	DESCRIPTION	REFER TO	No OFF	REMARKS
7					
6					
5					
4					
3					
2					
A	1				

MATERIAL	CAD GENERATED DRAWING DO NOT MAKE MANUAL CHANGES	TOLERANCES UNLESS OTHERWISE STATED	Unless Otherwise Stated	DIMENSIONS IN MILLIMETRES	FIRST USED ON
CODE	LAST CHANGE	METRIC: 1.000 = ±0.01 1.00 = ±0.1 1.0 = ±0.2 1 = ±0.4	REMOVE ALL BURRS & SHARP EDGES. DO NOT SCALE DRAWING THE SURFACE TEXTURE ROUGHNESS NUMBER OF MACHINED SURFACES SHOULD BE EQUAL TO OR LESS THAN 0.8um (N6 CLA32)		
FINISH	DATE OF ISSUE 23-10-20	IMPERIAL: Fractional ±1/64" Decimal ± 0.005"	REVISIONS	REV. A	ORIGINAL SCALE 1:7
		ANGLES ± 0° 30'	NOTE		DRAWN jcharnley
			APP.DO.		DATE 20-10-20
			DATE	23-10-20	

DIGITAL PROJECTION		MIDDLETON M24 1XX
SEE ABOVE		COMPONENT OR DRG.No. SEE ABOVE
A2-SHEET	1 OF 1	