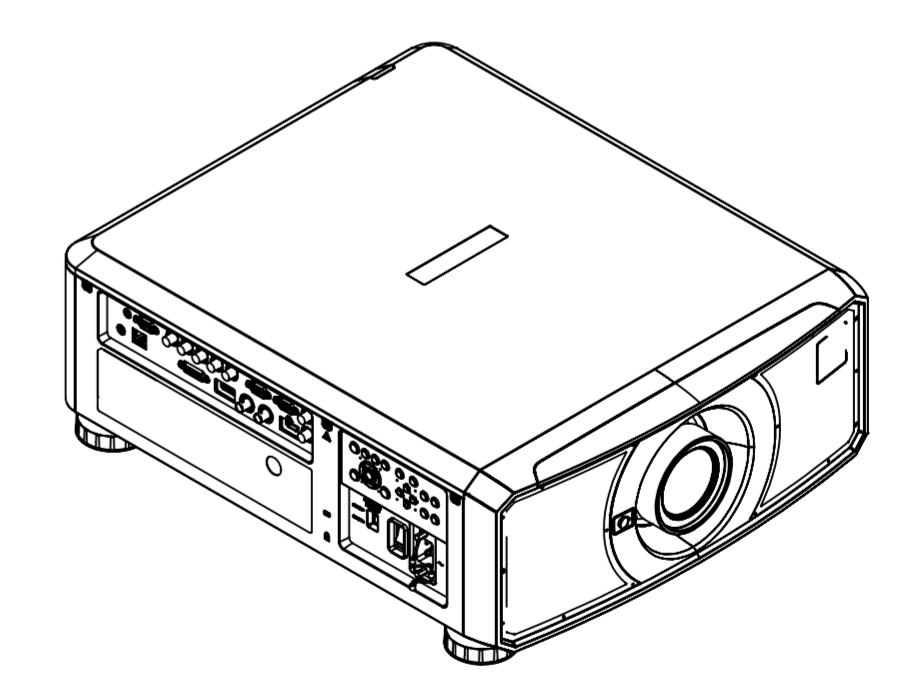
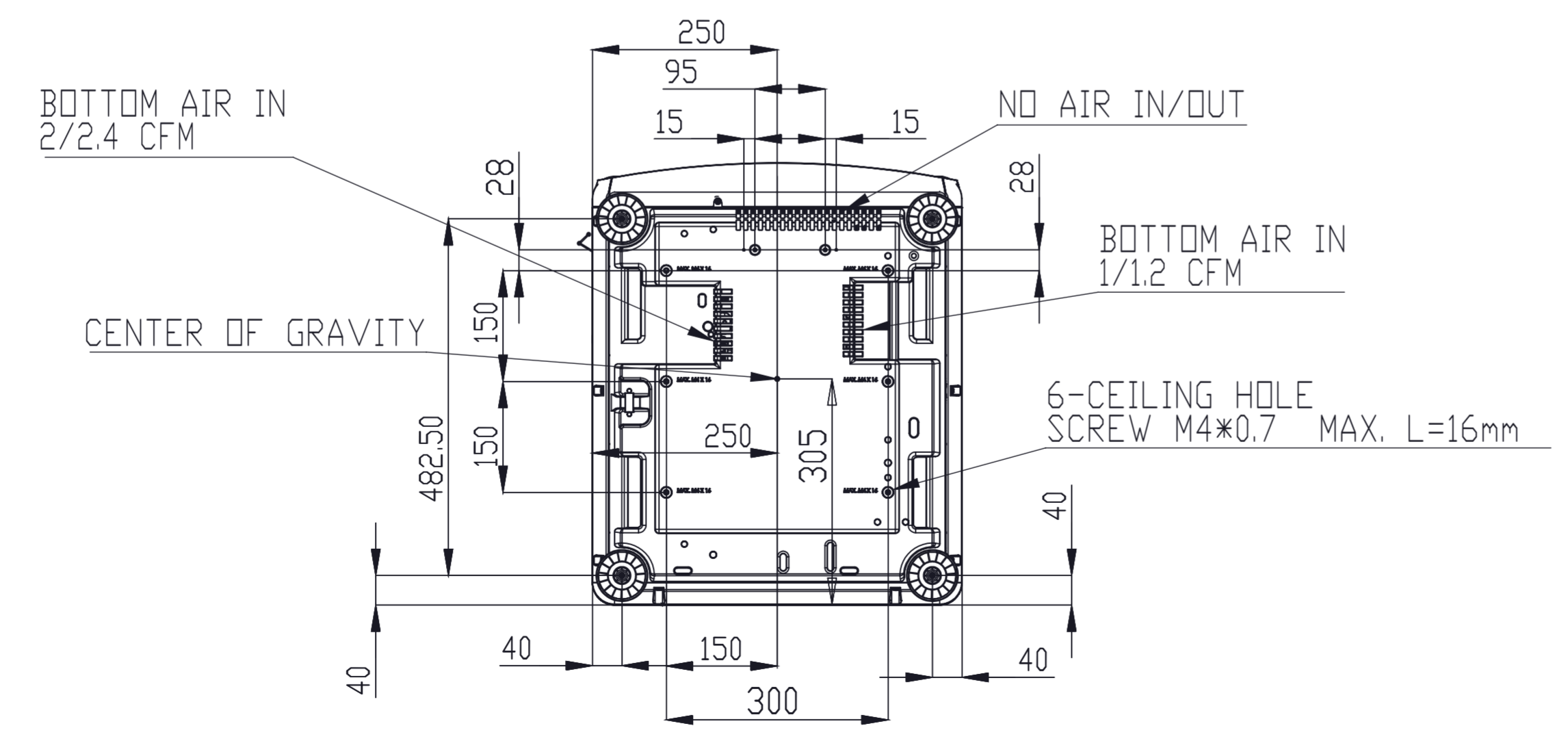
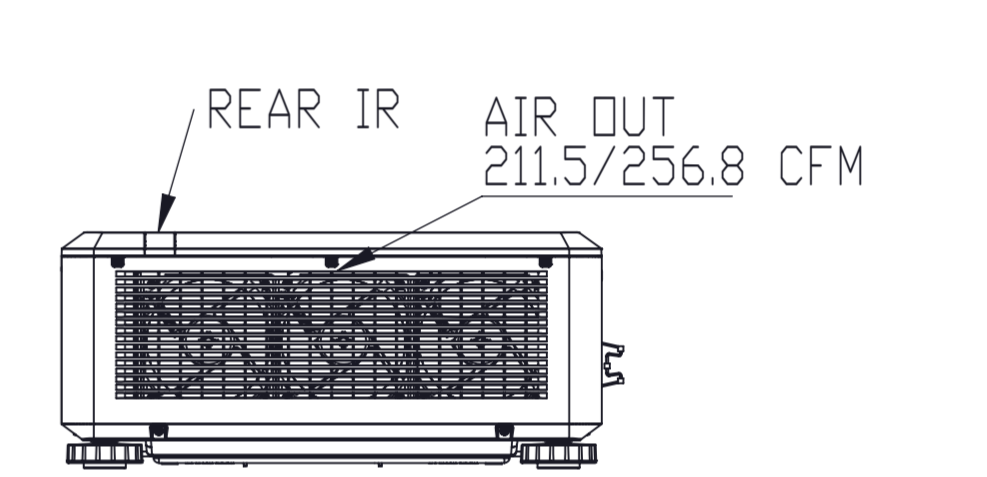
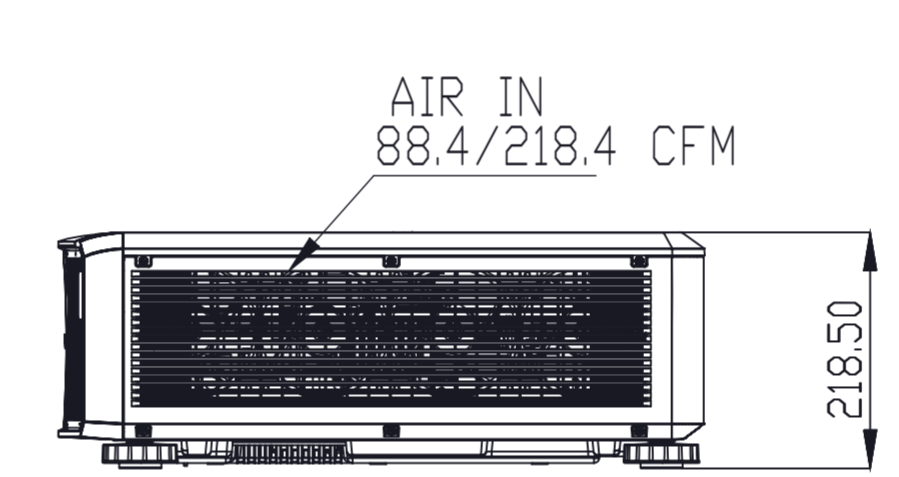
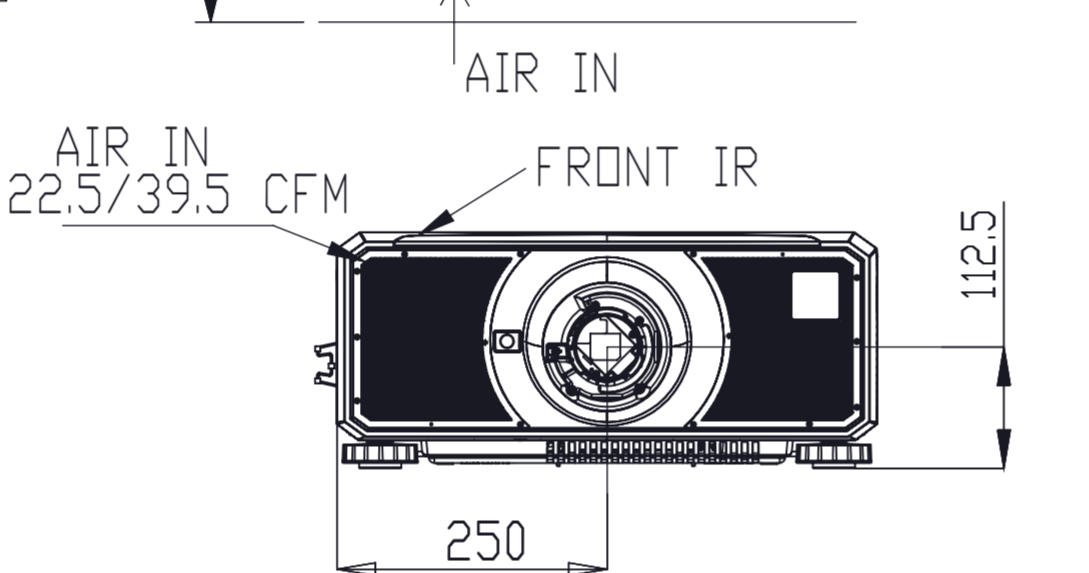
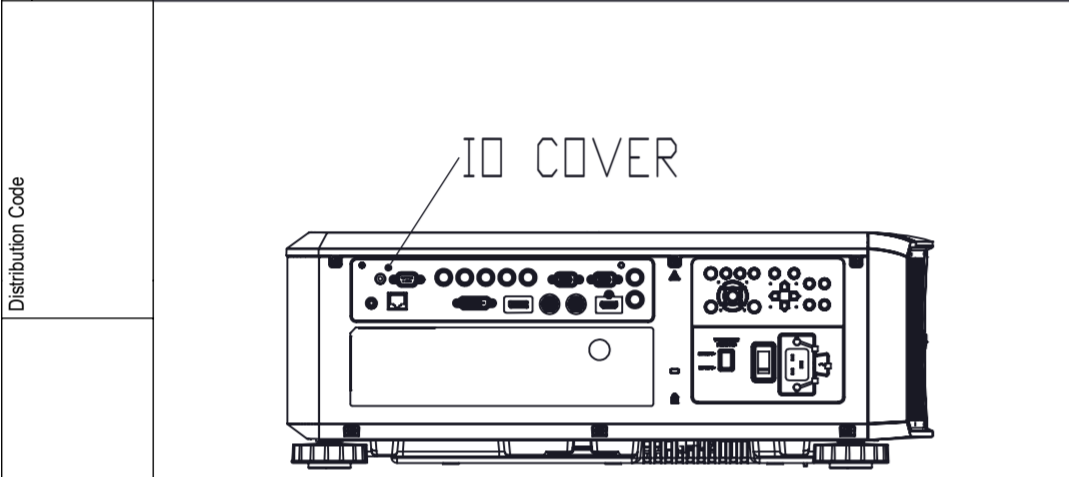


High Brightness Lenses			
DP P/N	Throw Ratio for WUXGA (0.67" DMD) 16:10 Aspect Ratio	Outside Edge Lens Extension	Remarks
117-341B	0.377 : 1	287.5mm	Requires lens supporting bracket (included).
112-499	0.76 : 1	25.0mm	
115-339	0.75 ~ 0.93 : 1	54.4mm	Has manual curvature correction on outer lens ring.
112-500	1.25 ~ 1.79 : 1	31.5mm	
112-501	1.73 ~ 2.27 : 1	5.7mm	
112-502	2.22 ~ 3.67 : 1	24.9mm	
112-503	3.58 ~ 5.38 : 1	41.7mm	
112-503	3.58 ~ 5.38 : 1	71.95mm	Requires 120-114 lens hood To comply with USA FDA regulatory requirements.
112-504	5.31 ~ 8.26 : 1	82.3mm	



PRE REVS	ITEM	DESCRIPTION	REFER TO	No OFF	REMARKS
	7				
	6				
	5				
	4				
	3				
	2				
	1				

MATERIAL	
CODE	
FINISH	

CAD GENERATED DRAWING DO NOT MAKE MANUAL CHANGES	
LAST CHANGE	
DATE OF ISSUE 9-10-20	

TOLERANCES UNLESS OTHERWISE STATED	Unless Otherwise Stated	DIMENSIONS IN MILLIMETRES	FIRST USED ON
METRIC: 1.000 ± 0.01 1.00 ± 0.1 1.0 ± 0.2 1 ± 0.4	REMOVE ALL BURRS & SHARP EDGES. DO NOT SCALE DRAWING THE SURFACE TEXTURE ROUGHNESS NUMBER OF MACHINED SURFACES SHOULD BE EQUAL TO OR LESS THAN 0.8um (N6 CLA32)	REV. A	ORIGINAL SCALE 1:7
IMPERIAL: Fractional ± 1/64" Decimal ± 0.005"		NOTE	DRAWN jcharnley
ANGLES ± 0° 30'		APP.DO.	DATE 15-11-18

DIGITAL PROJECTION		MIDDLETON M24 1XX
TITLE	PROJECTOR, E-VISION LASER 13000-WU (BLACK, HIGH BRIGHTNESS)	COMPONENT OR DRG.No. 119-734
DATE 19-07-18		A2: SHEET 1 OF 1