

Control4® Square Wireless Switch



Control4® Square Wireless Switch, 240V—C4-SSW240-N

The Control4® Square Wireless Switch combines a relay and configurable keypad for on/off control of a variety of load types. The keypad can be configured with two to seven buttons using five different buttons sizes for a total of 38 possible configurations.

- Wireless communication and standard wiring provide easy installation in new construction and retrofit environments.
- Compatible with a variety of load types including Incandescent, Halogen, Electronic Low Voltage (solid state) Transformers, Magnetic (iron core) Low Voltage Transformers, Fluorescents, Compact Fluorescents, LEDs and Motors .
- Continuously measures energy being used by the attached load.
- Elegant, sophisticated design makes a beautiful addition to any home or business.
- Custom engraving available to clearly identify each button.
- Backlit button engraving with programmable color control for easy readability regardless of time of day or light level.
- Programmable RGB LEDs provide status feedback for lighting and other devices in the system.
- Configure with two to seven buttons using five different button sizes for a total of 38 possible configurations.
- Easy reconfiguration means there's no need to worry about how many buttons will be needed on a specific switch before (or even after) installation.
- Ships as "Neutral" device with no buttons included. Keypad-style button kit and Rocker-style button kits sold separately in a variety of colors (see "Available accessories").
- Ambient light sensor automatically adjusts backlight and status LED brightness depending on the light level in the room.
- Control4® screw-less faceplates, sold separately, provide a sleek profile (see "Available accessories").
- Installs in standard square (UK/China-style) or round (EU-style) wall boxes. Round (EU-style) wall boxes require trim ring (see "Available accessories").

Control4® Square Wireless Switch

Model number	C4-SSW240-N
Power requirements	220VAC-240VAC +/-10%, 50/60 Hz This device requires a neutral connection.
Power consumption	950mW
Load types and ratings	
Supported load types	Incandescent, halogen, electronic (solid state) low-voltage (ELV) transformer, magnetic (iron core, inductive) low-voltage (MLV) transformer, compact fluorescent, LED, and motor.
Maximum load	
Incandescent (tungsten)	4A
Halogen	4A
Fluorescent	3A
Compact fluorescent (CFL)	3A
LED	1A
Motors	1/8 HP
Environmental	
Operational temperature	0 °C - 40 °C (32 °F - 104 °F)
Humidity	5% to 95% non-condensing
Storage	-20 °C - 70 °C (-4 °F - 158 °F)
Miscellaneous	
Control communications	ZigBee, IEEE 802.15.4, 2.4 GHz, 15-channel spread spectrum radio
Wires per connector	One 0.5 mm ² - 2.5 mm ² OR Two 0.5 mm ² - 1.5 mm ²
Dimensions	83 × 71 × 33 mm (3.3 × 2.8 × 1.3 in.)
Depth in wall box	25.8 mm (1.0 in.)
Weight	0.08 kg (2.8 oz.)
Shipping weight	0.14 kg (4.9 oz.)
Available accessories	
Square Device Keypad Button Kit (C4-CKSK-xx)	WH, SW, BL, MB, AU
Square Device Rocker Button Kit (C4-CKSR-xx)	WH, SW, BL, MB, AU
Square Faceplate (C4-SFP1-xx)	WG, BG, WH, LA, IV, BR, BL, SW, MB, BI, AU, SN, SS, VB, CH, MS
Glass	95 × 95 × 8.0 mm (3.7 × 3.7 × 0.3 in.)
Metal and plastic	85 × 85 × 7.5 mm (3.3 × 3.3 × 0.3 in.)
Square Dual Faceplate (C4-SFP2-xx)	WH, BL, SW, MB, AU
Square Trim Ring (C4-SSTR-xx)	WH, BL, SW, MB, AU
Square Dual Trim Ring (C4-SDTR-xx)	WH, BL, SW, MB, AU
Engraved Button, Single High (C4-EBD1H-xx)	WH, LA, IV, BR, BL, SW, MB, BI, AU
Engraved Button, Double High (C4-EBD2H-xx)	WH, LA, IV, BR, BL, SW, MB, BI, AU
Engraved Button, Triple High (C4-EBD3H-xx)	WH, LA, IV, BR, BL, SW, MB, BI, AU
Engraved Button, Rocker (C4-EBDR-xx)	WH, LA, IV, BR, BL, SW, MB, BI, AU

Glass colors: WG=White, BG=Black

Gloss colors: WH=White, LA=Light Almond, IV=Ivory, BR=Brown, BL=Black

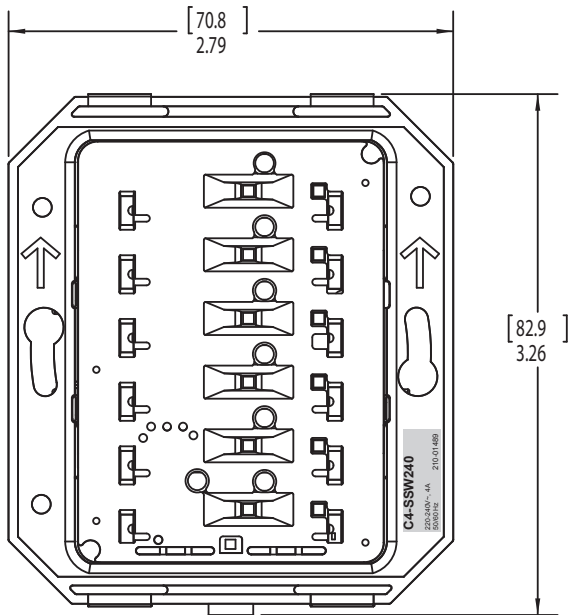
Satin colors: SW=Snow White, MB=Midnight Black, BI=Biscuit, AU=Aluminum

Metal finishes: SN=Satin Nickel, SS=Stainless Steel, VB=Venetian Bronze, CH=Chrome, MS=Matte Stainless

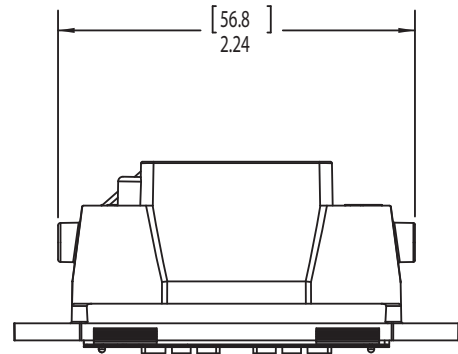


SQUARE WIRELESS SWITCH
 SKU: C4-SSW240-N

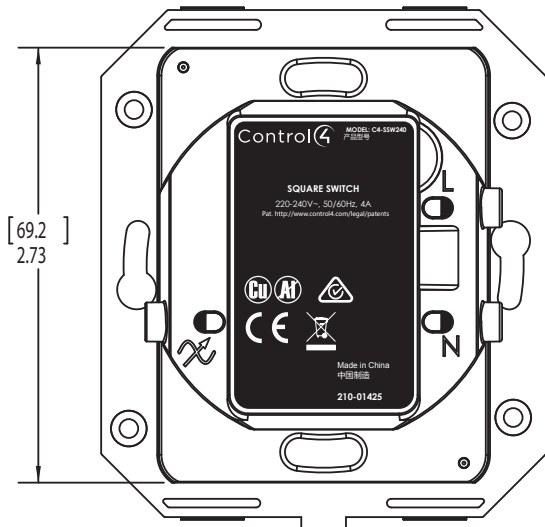
FRONT



TOP



BACK



SIDE

