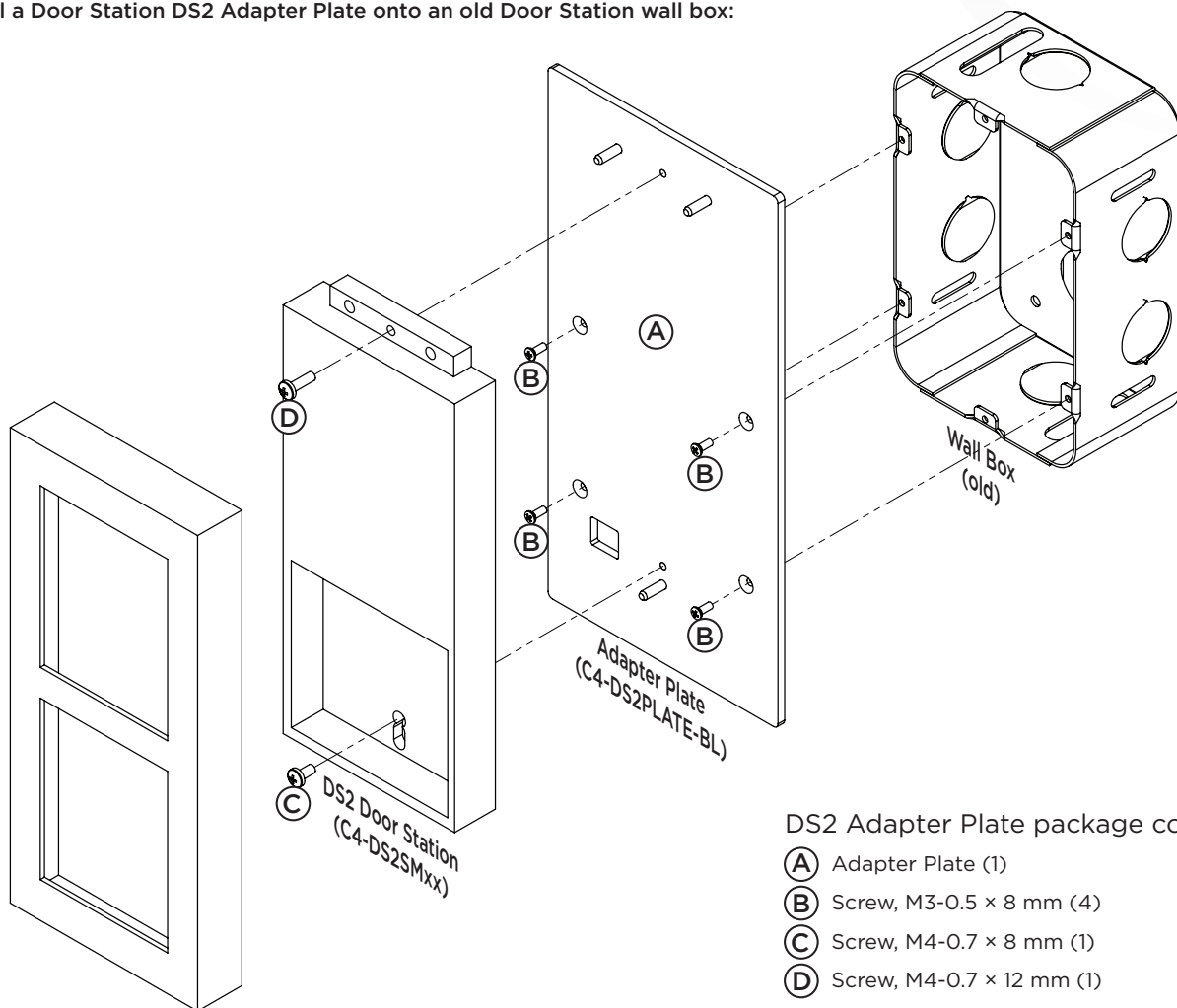


Upgrading to the DS2 Door Station

If a customer wants to upgrade an existing door station (C4-DSC-EN), or if the existing door station fails *and* no replacements remain, choose from two options:

- Remove the existing wall box, cut a larger hole for the new wall box (C4-DS2BB), then install a new DS2 Flush-mount Door Station (C4-DS2FM and C4-DS2FMKP).
- OR -
- Use the DS2 Adapter Plate (C4-DS2PLATE-BL) to cover the existing (old) wall box, then install a new DS2 Surface-mount Door Station (C4-DS2SM and C4-DS2SMKP).

To install a Door Station DS2 Adapter Plate onto an old Door Station wall box:



Tip: For a more water-resistant and draft-resistant mounting surface, fill the existing (old) wall box with expanding insulation foam, then trim it flush with the wall after curing. You can also use waterproof caulk or sealant between the adapter plate and the wall surrounding the old wall box.

Control4®

control4.com | 888.400.4070