

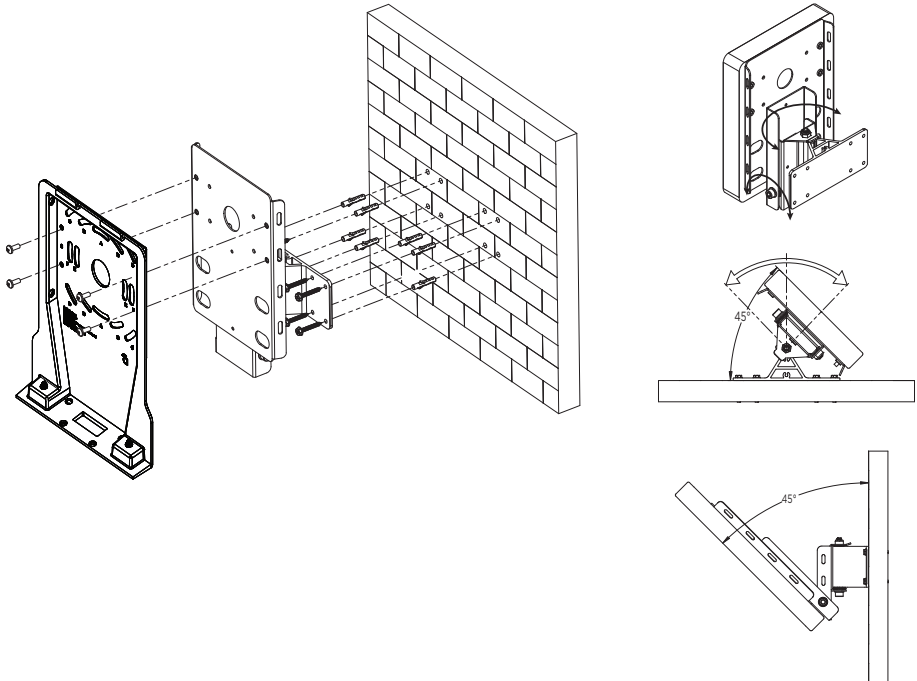
Quick Start Guide

AN-ACC-AP-O-TILT

Tilt Mount for Outdoor Access Point



Assembly Instructions



Box Contents

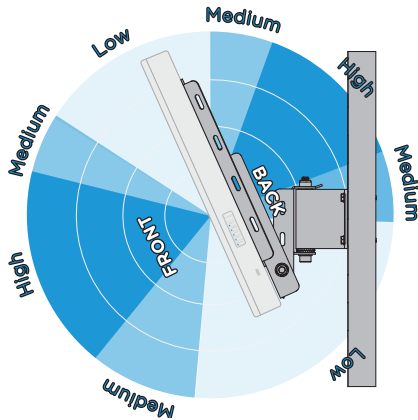
- Tilt Mount (assembled)
- Hex Wrench
- 8 Wall Mounting Screws (Tap Screw M3.5x25)
- 8 Concrete Anchors (5mm)
- Bracket Screws (M4x10)
- Wall Mounting Template

Product Details

- Only for use with Araknis Outdoor WAPs.
- Compatible with AN-ACC-AP-O-POLE for mounting on poles 1.5–3.1" in diameter.
- Made from powder-coated aluminum, with stainless steel components.
- Weight: .902lb (without access point)
- Vertically and horizontally adjustable up to 45°.

Installation Guidelines

- Aim the cable feed away from the open environment.
- Ensure that cable loops down and back up as it enters the connection area (rear or bottom entrance). This provides a harmless path of least resistance for any water that strikes the access point and mount.
- We recommend at least shielded Cat 5 cable for outdoor installation.
- Ground the cable using the AC ground of the PoE interface.



Angle the mount as needed to provide the access point's best coverage in the target area.

See the propagation insert (supplied with your access point) to determine the best angle.

Contacting Technical Support

866-838-5052

TechSupport@AraknisNetworks.com

2-Year Limited Warranty

Araknis Networks® products have a 2-Year Limited Warranty. This warranty includes parts and labor repairs on all components found to be defective in material or workmanship under normal conditions of use. This warranty shall not apply to products that have been abused, modified, or disassembled. Products to be repaired under this warranty must be returned to SnapAV or a designated service center with prior notification and an assigned return authorization (RA) number.

