



UTG

Speaker  
Enceinte

Акустическая система

音箱

---

---

# NS-3000

English

Français

Deutsch

Español

Русский

简体中文

Owner's Manual

Mode d'emploi

Benutzerhandbuch

Manual de Instrucciones

Руководство пользователя

使用说明书

EN

FR

DE

ES

RU

ZH



# PRECAUTIONS

**PLEASE READ CAREFULLY BEFORE USE. BE SURE TO FOLLOW THESE INSTRUCTIONS.**

The precautions listed below are to prevent risk of harm to the user and others, as well as to prevent property damage, and to help the user use this unit properly and safely. Be sure to follow these instructions.

After reading this manual, be sure to keep it in a safe place where it can be referenced at any time.

- Be sure to request inspections or repairs from the dealer where you purchased the unit or from qualified Yamaha service personnel.
- Yamaha cannot be held responsible for injury to you or damage of the products caused by improper use or modifications to the unit.
- This product is for ordinary homes. Do not use for applications requiring high reliability, such as managing lives, health care or high-value assets.



## WARNING

This content indicates “risk of serious injury or death.”

### If you notice any abnormality

- If any of the following abnormalities occur, immediately turn off any amplifiers and receivers.
  - An unusual smell, unusual sound or smoke is emitted from the unit.
  - Foreign material or water gets into the interior of the unit.
  - There is a loss of sound during use.
  - There is a crack or damage in the unit.

Continued use could cause electric shocks, a fire, or malfunctions. Immediately request an inspection or repair from the dealer where you purchased the unit or from qualified Yamaha service personnel.

### Installation

- Install in the manner instructed in the manual. Falling or toppling may result in injury or damage.
- Confirm that the finished installation is safe and secure. Also, carry out safety inspections periodically. Failure to observe this may cause devices to fall and result in injury.
- Always fix the speaker cable to a wall or similar. If you catch your feet or hands on the cable, the speakers may fall or overturn, causing malfunctions or injuries.

### Do not disassemble

- Do not disassemble or modify this unit. Failure to observe this may cause a fire, electric shocks, injury, or malfunctions.

### Water warning

- Do not expose the unit to rain, use it near water or in damp or wet conditions, or place on it any containers (such as vases, bottles or glasses) containing liquids which might spill into any openings or places where water may drop. A liquid such as water getting into the unit may cause a fire, electric shocks, or malfunctions.

### Fire warning

- Do not place any burning items or open flames near the unit, since they may cause a fire.



## CAUTION

This content indicates “risk of injury.”

### Installation

- Do not place the unit in an unstable position where it might accidentally drop or fall over and cause injuries.
- Do not install the unit in other ways than indicated. Failure to observe this may cause malfunctions or for the unit to fall and cause injury.
- Do not install the unit in places where it may come into contact with corrosive gases or salt air or places that have excessive smoke or steam. Doing so may result in malfunction.
- Avoid being near the unit during a disaster, such as an earthquake. Since the unit may turn over or fall and cause injury, quickly move away from the unit and go to a safe place.
- Before moving this unit, be sure to disconnect all connection cables. Failure to observe this may damage the cables or cause you or someone else to trip and fall.

### Hearing loss

- Do not use the unit for a long period of time at a high or uncomfortable volume level, since this can cause permanent hearing loss. If you experience any hearing loss or ringing in the ears, consult a physician.
- Before connecting the unit to other devices, turn off the power for all devices. Failing to do so may result in hearing loss, electric shock, or device damage.

### Handling caution

- Do not insert your hand or fingers into bass reflex port (hole on the rear) of this unit. Failure to observe this may cause injury.
- Do not insert foreign materials such as metal or paper into bass reflex port (hole on the rear) of this unit. Failure to observe this may cause a fire, electric shocks, or malfunctions. If foreign material gets into the unit, immediately then turn off any amplifiers and receivers and request an inspection from the dealer where you purchased the unit or from qualified Yamaha service personnel.
- Keep small parts out of the reach of infants. Your children may accidentally swallow them.
- Do not do the following:
  - Stand on or sit on the equipment.
  - Put heavy items on top of the equipment.
  - Place the equipment in a stack.
  - Apply unreasonable force to buttons, switches, input/output terminals, etc.
  - Lean against the equipment.

Failure to observe this may cause injuries or damage to the equipment.

- Avoid pulling the connected cables to prevent injuries or damage to the unit by causing it to fall.
- Do not operate the unit if the sound is distorting. Prolonged use in this condition could cause overheating and result in fire.
- When selecting an amplifier or a receiver to use with this unit, check that the output level on the amplifier or receiver is within this unit's permitted input level (see page 10). If the output power is higher than the power capacity, malfunction or fire may occur.

# NOTICE

Indicates points that you must observe in order to prevent product failure, damage or malfunction and data loss.

## Installation

- Do not use this unit in a location that is exposed to direct sunlight that becomes extremely hot, such as near a heater, or extremely cold, or that is subject to excessive dust or vibration. Failure to observe this may cause the unit's panel to become deformed, the internal components to malfunction, or for operation to become unstable.

## Connections

- If connecting external units, be sure to thoroughly read the manual for each unit and connect them in accordance with the instructions.

Failure to properly handle a unit in accordance with the instructions could cause malfunctions.

## Handling

- Do not place vinyl, plastic, or rubber products on this unit. Failure to observe this may cause discoloration or deformation in the panel of this unit.

## Maintenance

- If the temperature or humidity changes drastically, water droplets (condensation) may form on the unit surface. If water droplets form, immediately wipe them off with a soft cloth. If water droplets are left on the unit, they may be absorbed into the wooden parts, causing deformation.
- When cleaning the unit, use a dry, soft cloth. Using chemicals such as benzine or thinner, cleaning agents, or chemical scrubbing cloths can cause discoloration or deformation.

## Speakers

- Do not touch the diaphragm. Failure to observe this may damage the diaphragm.

This unit's speakers use magnets. Do not place items that are sensitive to magnetism, such as CRT-type TVs, clocks, credit cards, floppy disks, etc., on or beside this unit.

# Information

## About functions included in the unit

- Air may be blown out from the bass reflex port. This is not a malfunction. This occurs particularly often when outputting music with heavy bass.

## About content in this manual

- This manual is for the users of this unit.
- This manual uses the following signal words for the important information:



### WARNING

This content indicates "risk of serious injury or death."



### CAUTION

This content indicates "risk of injury."

### NOTICE

Indicates points that you must observe in order to prevent product failure, damage or malfunction and data loss, as well as to protect the environment.

### NOTE

Indicates notes on instructions, restrictions on functions, and additional information that may be helpful.

- The illustrations and screens in this manual are for instructional purposes only.
- The company names and product names in this manual are the trademarks or registered trademarks of their respective companies.

The model number, serial number, power requirements, etc., may be found on or near the name plate, which is at the bottom of the unit. You should note this serial number in the space provided below and retain this manual as a permanent record of your purchase to aid identification in the event of theft.

**Model No.**

**Serial No.**

## Information for users on collection and disposal of old equipment:



This symbol on the products, packaging, and/or accompanying documents means that used electrical and electronic products should not be mixed with general household waste.

For proper treatment, recovery and recycling of old products, please take them to applicable collection points, in accordance with your national legislation.

By disposing of these products correctly, you will help to save valuable resources and prevent any potential negative effects on human health and the environment which could otherwise arise from inappropriate waste handling.

For more information about collection and recycling of old products, please contact your local municipality, your waste disposal service or the point of sale where you purchased the items.

### For business users in the European Union:

If you wish to discard electrical and electronic equipment, please contact your dealer or supplier for further information.

### Information on Disposal in other Countries outside the European Union:

This symbol is only valid in the European Union. If you wish to discard these items, please contact your local authorities or dealer and ask for the correct method of disposal.

# Contents

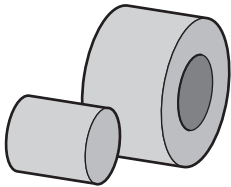
PRECAUTIONS.....	3	Placing the speakers.....	6
Features.....	5	Connecting to your amplifier.....	8
Port plug.....	5	Specifications.....	10
Accessory.....	6		

## Features

The NS-3000 are speakers developed for hi-fi enthusiasts who have a lifetime relationship with music and seek a high sound quality. The whole-surface piano mirror finish is achieved with the same painting and polishing processes used on the Yamaha grand piano.

- 16 cm 2-way bookshelf type speaker
- ZYLON™ Diaphragm (ZYLON™ is a trademark of Toyobo Co., Ltd.)
- Acoustic Absorber
- R.S. Chamber (Resonance Suppression Chamber)
- Twisted Flare Port

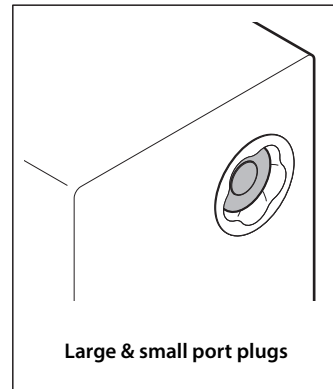
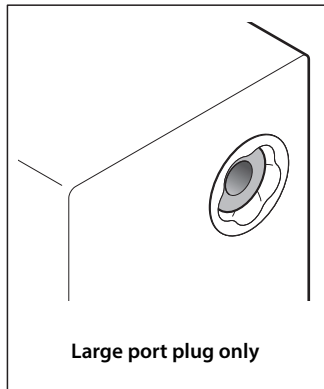
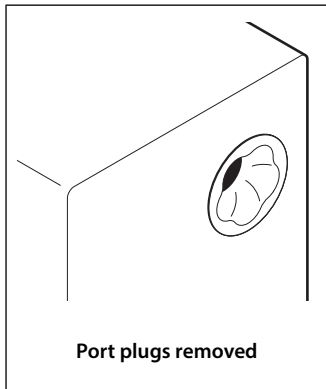
### Port plug



For adjustment of the sound in the low-frequency range, the speaker is equipped (inside the Twisted Flare Port on the back) with a port plug (acoustic absorbent material). Depending on the setup location of the speaker and its distance from the wall, insert or remove the port plug if it is necessary to adjust the sound in the low-frequency range. With the two parts (large and small plugs), the sound can be adjusted in two levels.

**To suppress the sound in the low-frequency range** 🗨️ Insert the port plug.

**Manufacturer's recommendation** 🗨️ Use the speaker with the port plug removed.



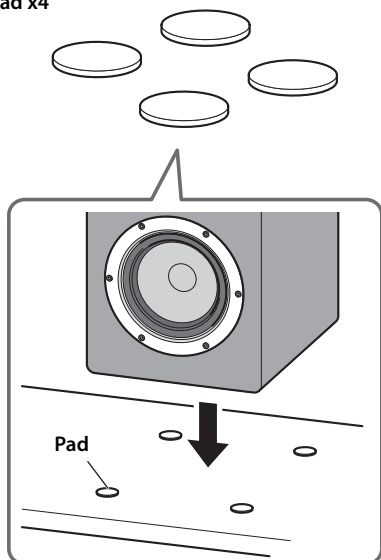
### NOTICE

- When inserting the port plugs into the speaker, do not push it in too far. Otherwise, the port plug may fall into the speaker.
- If the port plug cannot be removed or fall into the speaker, contact your nearest authorized Yamaha dealer or the service center.

# Accessory

Make sure that all accessories are included.

Pad x4



## ■ Using the pads



### **CAUTION**

- Make sure that the speakers do not slide around. Otherwise, they may fall, causing injuries.

The included pads are for protecting the bottom of the speakers as well as the surface that they are placed on.

When placing the speakers directly on the floor or a shelf, be sure to use the pads between the bottom of the speaker (4 corners) and the surface that it is placed on, as shown.

### **NOTICE**

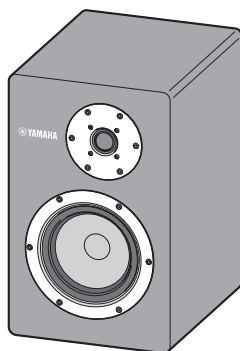
- Do not attach the pads with adhesive or double-sided tape. Otherwise, the finish on the bottom of the speakers or on the surface that they are placed on may peel off.

### **NOTE**

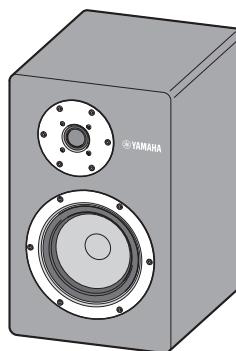
- When the optional Yamaha speaker stand (SPS-3000) is used, the pads are not necessary.

# Placing the speakers

NS-3000 (L)

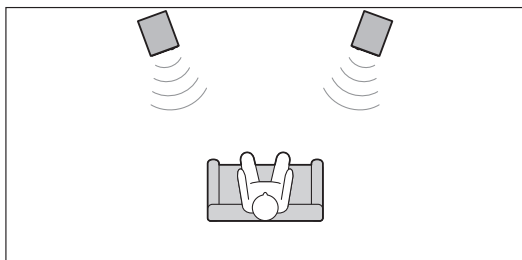


NS-3000 (R)



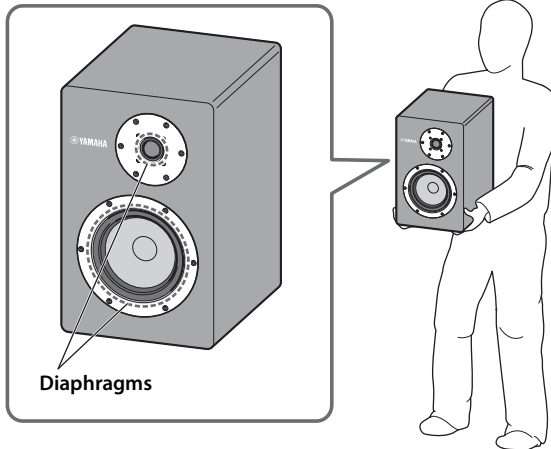
## ■ Using as 2ch stereo speakers

Better stereo images will be obtained when the speakers are slightly angled in towards the listener.



### **NOTE**

- In rooms with unusual shapes or containing obstacles, effective stereo playback can be achieved by changing the positions and orientations of the speakers as necessary or reversing the positions of the left and right speakers.



**CAUTION**

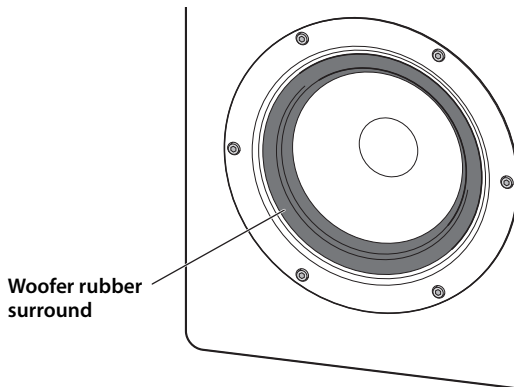
- Since the polished-finish side surfaces are slick, hold the speaker from the sides and bottom to carry it.
- When placing the speaker on the speaker stand, etc., be sure not to pinch your hands or fingers.

**NOTICE**

- Be sure not to touch the diaphragms on the front. Otherwise, they may be damaged.
- This unit is designed with a non-magnetic shield. Placing this unit too close to a CRT TV set might impair picture color or create a buzzing noise. In this case, move the speakers away from the TV.

**NOTE**

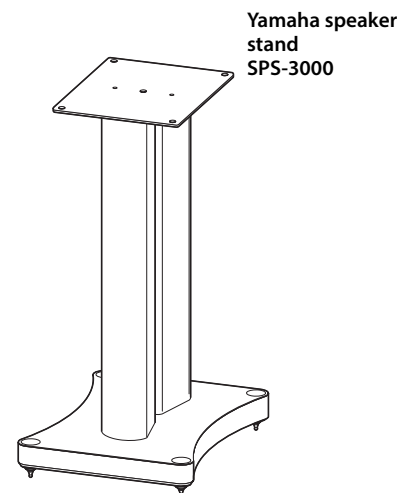
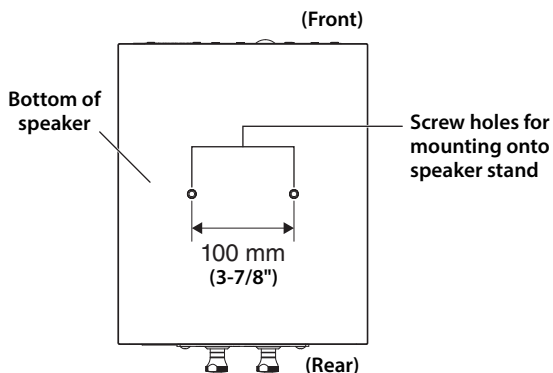
- The particular type of rubber used for the woofer surround was carefully chosen to contribute to the best sound quality. In rare cases, this rubber may turn an off-white color. Do not worry about this whitening, since it is only a component of the rubber penetrating to the surface, and will not adversely affect performance.



**When using the optional Yamaha speaker stand (SPS-3000)**

To use as floor stand speakers, attach the speakers to the SPS-3000 using the holes at the bottom of the speakers.

For installation, also refer to the "SPS-3000 Owner's Manual".



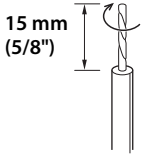
# Connecting to your amplifier

Before making connections, make sure that the amplifier is switched off.

## ■ Connections

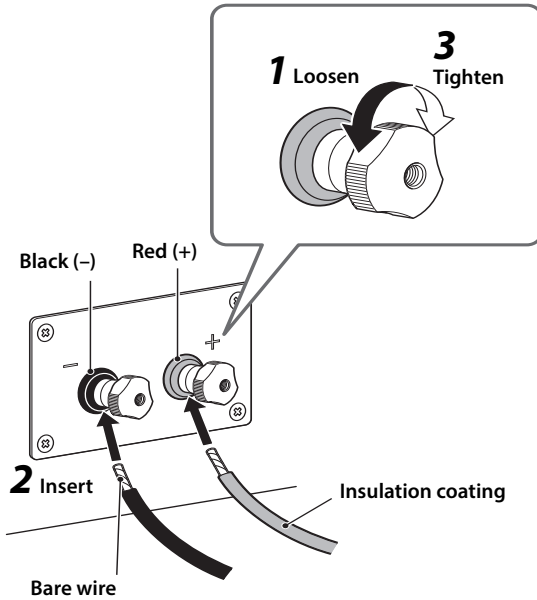
You need a commercially available speaker cable.

The size and/or material of a speaker cable affects on the sound quality. Therefore, we recommend you to purchase a high-quality speaker cable to exert the performance of this unit.



Remove 15 mm (5/8") of insulation from each end of the cables, and twist the exposed conductors together neatly and tightly, as shown left.

## ■ How to connect the speaker cables



- 1 Loosen the terminal knob on the rear panel of this unit.



### **CAUTION**

- When the terminal knob is completely loosened, it will fall off. Keep the removed knobs out of the reach of infants to prevent accidental ingestion.

- 2 Insert the bare wire to the terminal hole.

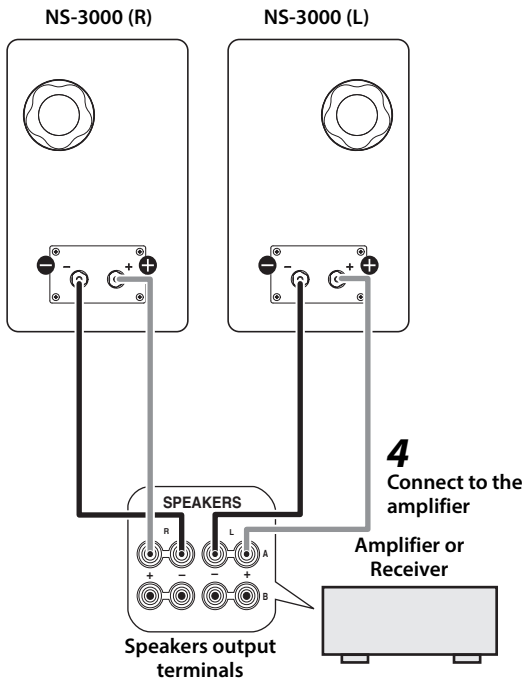
### **NOTE**

- Do not insert the insulation coating into the hole. The sound may not be produced.

- 3 Tighten the terminal knob and secure the cable.

Test the firmness of the connection by pulling lightly on the cable at the terminal.





#### 4 Connect the speaker cables to the L (left) and R (right) terminals on the amplifier.

##### NOTE

- The red terminal of this unit is positive (+), and the black terminal is negative (-).
- If one speaker is connected with reversed polarity, the sound will be unnatural and lack bass.

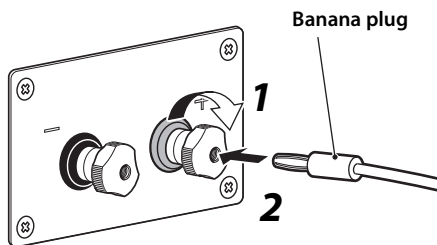
##### NOTICE

- Be careful not to allow the bare wires of the positive (+) and negative (-) speaker cables to come into contact with each other or other metal parts. Otherwise, the speakers may be damaged.
- To avoid accidents resulting from tripping over loose speaker cables, affix them to the floor.
- The speaker may be damaged if certain sounds are continuously output at high volume level. For example, if sine waves from a test disc, bass sounds from electronic instruments, etc., are continuously output, or when the stylus of a turntable touches the surface of a disc, reduce the volume level to prevent the speaker from being damaged.

##### NOTE

- When using an amplifier with a rated output power higher than the nominal input power of the speaker, care should be taken never to exceed the speaker's maximum input.
- Please refer to the owner's manual that came with your amplifier or receiver.

#### ■ When using a banana plug



**1** Tighten the terminal knob.

**2** Simply insert the banana plug into the terminal hole.

# Specifications

<b>Type</b> .....	2-way bookshelf bass-reflex type Non-magnetic shielding type	<b>Nominal input power</b> .....	60 W
<b>Driver</b> .....	Woofers: 16 cm (6-1/2") cone type Tweeter: 3 cm (1-1/4") dome type	<b>Maximum input power</b> .....	120 W
<b>Impedance</b> .....	6 $\Omega$ (Minimum 4.6 $\Omega$ )	<b>Sensitivity</b> .....	87 dB/2.83 V, 1 m
<b>Frequency response</b> .....	39 Hz – 60 kHz (–10 dB) – 100 kHz (–30 dB)	<b>Crossover frequency</b> .....	2.8 kHz
		<b>Dimensions (W x H x D)</b> .....	244 × 394 × 326 mm (9-5/8" × 15-1/2" × 12-7/8")
		<b>Weight</b> .....	13.1 kg (28.9 lbs.)

\* The contents of this manual apply to the latest specifications as of the publishing date. To obtain the latest manual, access the Yamaha website then download the manual file.

\* Care should be taken not to exceed the input power values noted above.

# PRÉCAUTIONS D'USAGE

LISEZ ATTENTIVEMENT AVANT DE PROCÉDER À TOUTE UTILISATION. VEILLEZ À SUIVRE CES INSTRUCTIONS.

Les mises en garde énumérées ci-dessous sont destinées à prévenir les risques pour l'utilisateur et les tiers, à éviter les dommages matériels et à aider l'utilisateur à se servir de l'appareil correctement et en toute sécurité. Assurez-vous de suivre ces instructions.

Après avoir consulté ce manuel, conservez-le dans un endroit sûr de façon à pouvoir vous y reporter facilement.

- Veillez à faire inspecter ou réparer l'appareil par le revendeur auprès duquel vous l'avez acheté ou par un technicien Yamaha qualifié.
- Yamaha ne peut être tenu responsable des dommages corporels et matériels causés par une mauvaise manipulation de l'instrument ou par des modifications apportées à l'appareil.
- Ce produit est conçu pour un usage courant dans les résidences standard. Ne l'utilisez pas pour des applications nécessitant une haute fiabilité, telles que la gestion des gestes essentiels à la vie, des soins de santé ou des biens de grande valeur.



## AVERTISSEMENT

Ce contenu indique « un risque de blessures graves ou de mort ».

### En cas d'anomalie

- Si l'un des problèmes suivants se produit, coupez immédiatement de tous les amplificateurs et récepteurs.
  - Une odeur inhabituelle un son anormal ou de la fumée se dégage de l'appareil.
  - Un corps étranger ou de l'eau a pénétré à l'intérieur de l'appareil.
  - Une brusque perte de son est survenue durant l'utilisation de l'appareil.
  - L'appareil est fissuré ou endommagé.

En continuant d'utiliser l'appareil dans ces conditions, vous risquez de provoquer des chocs électriques, un incendie ou des dysfonctionnements. Faites immédiatement inspecter ou réparer l'appareil par le revendeur auprès duquel vous l'avez acheté ou par un technicien Yamaha qualifié.

### Installation

- Installez l'appareil en suivant les consignes de ce manuel. Une chute ou un renversement de l'appareil pourrait causer des blessures ou des dommages.
- Assurez-vous que l'appareil est installé de manière stable et sûre. Veillez en outre à effectuer régulièrement des contrôles de sécurité. Le non-respect de cette consigne risque d'entraîner la chute des appareils et de causer des blessures.
- Fixez toujours les câbles d'enceinte à un mur ou un support similaire. Si vous trébuchez sur ou vous prenez la main dans un câble d'enceinte, l'enceinte pourrait tomber ou se renverser, causant des dommages ou des blessures.

### Démontage interdit

- Ne tentez pas de démonter ou de modifier l'appareil. Le non-respect de cette procédure risque d'entraîner un incendie, des chocs électriques, des blessures ou des dysfonctionnements.

### Avertissement relatif à la présence d'eau

- N'exposez pas l'appareil à la pluie ni à des sources d'éclaboussures, ne l'utilisez pas à proximité d'eau ni dans des environnements humides et ne posez pas de récipients dessus (tels que des vases, bouteilles ou verres) contenant un liquide qui risquerait de couler à l'intérieur de l'appareil. Toute infiltration de liquide tel que de l'eau à l'intérieur de l'appareil risque de provoquer un incendie, des chocs électriques ou des dysfonctionnements.

### Prévention contre les incendies

- Ne placez pas d'objets brûlants ou de flammes nues à proximité de l'appareil, au risque de provoquer un incendie.



## ATTENTION

Ce contenu indique « un risque de blessures ».

### Installation

- Ne placez pas l'appareil dans une position instable afin d'éviter qu'il ne tombe ou se renverse accidentellement et ne provoque des blessures.
- N'installez pas l'appareil de toute manière autre que spécifiée. Le non-respect de cette consigne peut causer des dysfonctionnements ou entraîner la chute de l'appareil et causer des blessures.
- N'installez pas l'appareil dans des endroits où il pourrait entrer en contact avec des gaz corrosifs ou de l'air à haute teneur en sel, ou encore des endroits exposés à une fumée ou une vapeur excessive. Cela pourrait provoquer des dysfonctionnements.
- Évitez d'être à proximité de l'appareil en cas de catastrophe naturelle telle qu'un tremblement de terre. Compte tenu du risque de renversement ou de chute de l'appareil pouvant entraîner des blessures, pensez à vous éloigner rapidement de l'appareil et à vous réfugier dans un lieu sûr.
- Avant de déplacer l'appareil, veillez à déconnecter tous les câbles de connexion. Le non-respect de cette consigne peut entraîner l'endommagement des câbles ou provoquer le trébuchement et la chute de l'utilisateur ou d'autres personnes.

### Perte de capacités auditives

- N'utilisez pas l'appareil de manière prolongée à un niveau sonore trop élevé ou inconfortable pour l'oreille, au risque d'endommager irrémédiablement votre ouïe. Si vous constatez une baisse d'acuité auditive ou que vous entendez des sifflements, consultez un médecin.
- Avant de raccorder l'appareil à d'autres appareils, mettez tous les appareils concernés hors tension. Le non-respect de ces mesures peut provoquer une perte d'acuité auditive, entraîner un risque d'électrocution ou endommager l'appareil.

### Précautions d'utilisation

- N'introduisez pas vos mains ou vos doigts à l'intérieur de l'évent bass-reflex (l'orifice au dos) de l'appareil. Le non-respect de cette consigne peut provoquer des blessures.
- N'insérez pas de corps étranger tel que du métal ou du papier à l'intérieur de l'évent bass-reflex (l'orifice au dos) de l'appareil. Le non-respect de cette procédure risque d'entraîner un incendie, des chocs électriques ou des dysfonctionnements. En cas de pénétration de corps étrangers à l'intérieur de l'appareil, coupez immédiatement l'alimentation de tout amplificateur et ampli-tuner, et faites inspecter l'appareil par le revendeur auprès duquel vous l'avez acheté ou par un technicien Yamaha qualifié.
- Conservez les petites pièces hors de portée des enfants en bas âge. Vos enfants risquent de les avaler accidentellement.
- Évitez de faire ce qui suit :
  - vous mettre debout ou vous assoir sur l'appareil.
  - placer des objets lourds sur l'appareil.
  - disposer l'appareil en pile.
  - appliquer une force excessive sur les boutons, les commutateurs, les bornes d'entrée/sortie, etc.
  - vous appuyer sur l'appareil.

Le non-respect de ces consignes pourrait causer des blessures ou un endommagement de l'appareil.

- Évitez de débrancher les câbles connectés afin de ne pas causer de blessures ou de dommages matériels qui pourraient résulter de la chute de l'appareil.
- N'utilisez pas l'appareil si le son comporte de la distorsion. Une utilisation prolongée dans cet état pourrait provoquer une surchauffe et causer un incendie.
- Quand vous choisissez un amplificateur ou ampli-tuner à utiliser avec cet appareil, assurez-vous que le niveau de sortie de l'amplificateur ou ampli-tuner est compris dans la plage de niveau d'entrée admissible de cet appareil (voyez page 18). Si la puissance de sortie dépasse la puissance d'entrée admissible, cela pourrait provoquer un dysfonctionnement ou un incendie.

# AVIS

Indique les points que vous devez respecter afin d'éviter toute défaillance, dommage ou dysfonctionnement du produit et toute perte de données.

## Installation

- N'utilisez pas l'appareil dans un emplacement exposé à la lumière directe du soleil, à une température très élevée (à proximité d'un appareil de chauffage) ou très basse, à un dépôt de poussière excessif ou à de fortes vibrations. Le non-respect de cette consigne peut entraîner la déformation du panneau de l'appareil, le dysfonctionnement de ses composants internes ou l'instabilité de ses opérations.

## Raccordements

- En cas de connexion d'unités externes, assurez-vous de lire attentivement le mode d'emploi de l'appareil concerné et reliez-le conformément aux instructions fournies.

La non-conformité aux instructions de manipulation peut provoquer le dysfonctionnement de l'appareil.

## Manipulation

- Ne placez pas de produits en vinyle, en plastique ou en caoutchouc sur l'appareil. Le non-respect de cette consigne peut provoquer une décoloration ou une déformation du panneau de cet appareil.

## Entretien

- Si la température ou le degré d'humidité change radicalement, des gouttelettes d'eau (de la condensation) pourrait se former sur la surface de l'appareil. En cas de formation de condensation, essuyez immédiatement la surface de l'appareil avec un chiffon doux et sec. Si la condensation n'est pas éliminée de la surface de l'appareil, elle risque d'être absorbée par les composants en bois, causant leur déformation.
- Utilisez un chiffon doux et sec pour le nettoyage de l'appareil. L'utilisation de produits chimiques tels que de la benzène ou du diluant, de produits d'entretien ou de chiffons de lavage chimique peut causer la décoloration ou la déformation de l'appareil.

## Enceintes

- Ne touchez pas la membrane. Le non-respect de cette consigne pourrait endommager la membrane.

Les haut-parleurs de cet appareil comportent des aimants. Ne placez pas d'objets sensibles aux champs magnétiques, tels que des téléviseurs à tube cathodique, horloges, cartes de crédit, disquettes, etc. sur ou près de l'appareil.

# Informations

## Au sujet des fonctions incluses dans l'appareil

- De l'air pourrait s'échapper de l'évent bass-reflex. Cela n'a rien d'anormal. Ce phénomène se produit en particulier dans le cas de la lecture de musique au grave prédominant.

## À propos du contenu de ce manuel

- Ce manuel est destiné aux utilisateurs de cet appareil.
- Dans ce manuel, les informations importantes sont repérées par les intitulés suivants:



### AVERTISSEMENT

Ce contenu indique « un risque de blessures graves ou de mort ».



### ATTENTION

Ce contenu indique « un risque de blessures ».

## AVIS

Indique les points que vous devez respecter afin d'éviter toute défaillance, dommage ou dysfonctionnement du produit, perte de données mais aussi pour protéger l'environnement.

## NOTE

Indique des remarques liées à l'utilisation, à certaines restrictions des fonctions et d'autres informations utiles.

- Les illustrations et les captures d'écran figurant dans ce manuel servent uniquement à expliciter les instructions.
- Les noms de société et les noms de produit mentionnés dans ce manuel sont des marques commerciales ou des marques déposées de leurs sociétés respectives.

Le numéro de modèle, le numéro de série, l'alimentation requise, etc., se trouvent sur ou près de la plaque signalétique du produit, située dans la partie inférieure de l'unité. Notez le numéro de série dans l'espace fourni ci-dessous et conservez ce manuel en tant que preuve permanente de votre achat afin de faciliter l'identification du produit en cas de vol.

N° de modèle

N° de série

## Informations concernant la collecte et le traitement des déchets d'équipements électriques et électroniques:



Le symbole sur les produits, l'emballage et/ou les documents joints signifie que les produits électriques ou électroniques usagés ne doivent pas être mélangés avec les déchets domestiques habituels.

Pour un traitement, une récupération et un recyclage appropriés des déchets d'équipements électriques et électroniques, veuillez les déposer aux points de collecte prévus à cet effet, conformément à la réglementation nationale.

En vous débarrassant correctement des déchets d'équipements électriques et électroniques, vous contribuerez à la sauvegarde de précieuses ressources et à la prévention de potentiels effets négatifs sur la santé humaine qui pourraient advenir lors d'un traitement inapproprié des déchets.

Pour plus d'informations à propos de la collecte et du recyclage des déchets d'équipements électriques et électroniques, veuillez contacter votre municipalité, votre service de traitement des déchets ou le point de vente où vous avez acheté les produits.

### Pour les professionnels dans l'Union européenne:

Si vous souhaitez vous débarrasser des déchets d'équipements électriques et électroniques, veuillez contacter votre vendeur ou fournisseur pour plus d'informations.

### Informations sur la mise au rebut dans d'autres pays en dehors de l'Union européenne:

Ce symbole est seulement valable dans l'Union européenne. Si vous souhaitez vous débarrasser de déchets d'équipements électriques et électroniques, veuillez contacter les autorités locales ou votre fournisseur et demander la méthode de traitement appropriée.

# Sommaire

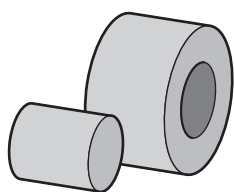
PRÉCAUTIONS D'USAGE .....	11	Placement des enceintes.....	14
Fonctionnalités .....	13	Raccordement à votre amplificateur.....	16
Bouchon d'évent .....	13	Caractéristiques techniques.....	18
Accessoires .....	14		

## Fonctionnalités

Les NS-3000 sont des enceintes développées pour les amateurs de hi-fi et amoureux de musique à la recherche d'une qualité sonore exceptionnelle. La superbe finition intégrale piano noir laqué est obtenue en appliquant les mêmes techniques de peinture et de polissage que pour les pianos à queue Yamaha.

- Enceinte de bibliothèque de 16cm à 2 voies
- Membrane en ZYLON™ (ZYLON™ est une marque commerciale de Toyobo Co.,Ltd.)
- Isolant acoustique
- Chambre de suppression de résonance (Resonance Suppression Chamber)
- Twisted Flare Port

### Bouchon d'évent



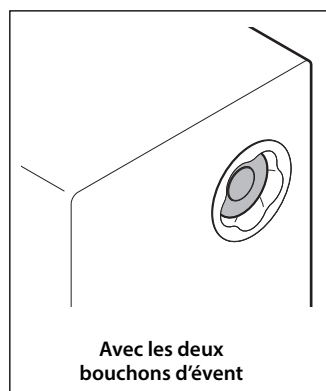
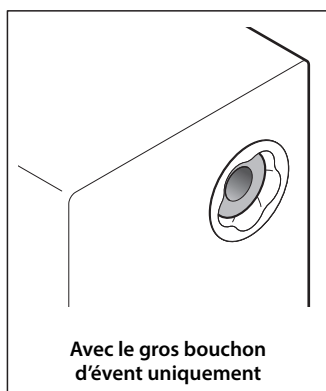
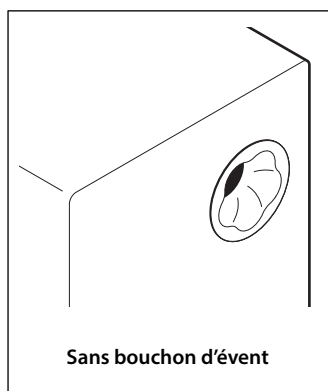
L'enceinte est livrée avec un bouchon d'évent (en matériau isolant acoustique), qui peut être inséré dans l'évent « Twisted Flare Port » au dos pour atténuer le grave.

En fonction de l'emplacement de l'enceinte, de sa distance du mur et de l'atténuation du grave voulue, installez le bouchon d'évent ou laissez l'évent sans bouchon.

La paire de bouchons permet d'obtenir deux degrés d'atténuation du grave.

**Pour atténuer le grave du son** ➤ Insérez le bouchon dans l'évent.

**Recommandation du fabricant** ➤ Utilisez l'enceinte sans bouchon d'évent.



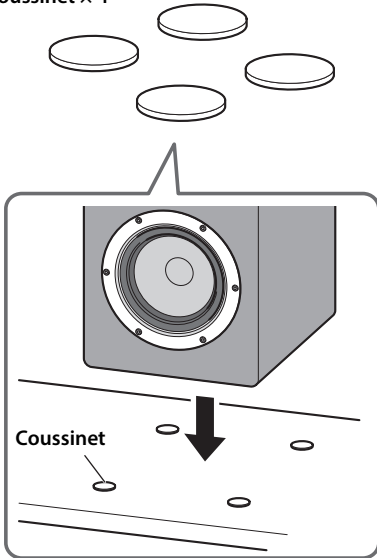
### AVIS

- Veillez à ne pas pousser le bouchon d'évent trop loin lors de son montage sur l'enceinte. Sinon il risque de tomber à l'intérieur de l'enceinte.
- Si vous n'arrivez pas à retirer le bouchon d'évent ou si celui-ci tombe à l'intérieur de l'enceinte, contactez votre revendeur Yamaha ou le centre de SAV le plus proche.

# Accessoires

Vérifiez que l'emballage contient tous les accessoires.

Coussinet x 4



## ■ Utilisation des coussinets



### **ATTENTION**

- Veillez à ce que les enceintes ne glissent pas. Sinon elles pourraient tomber et causer des blessures.

Les coussinets fournis sont destinés à protéger le dessous des enceintes ainsi que la surface sur laquelle elles sont posées.

Si les enceintes sont posées directement sur le sol ou une étagère, veillez à installer les coussinets entre le dessous des enceintes (aux 4 coins) et la surface sur laquelle elles sont posées, de la manière illustrée.

### **AVIS**

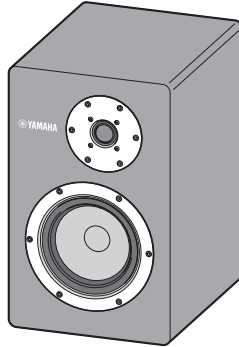
- Ne fixez pas les coussinets avec de la bande adhésive ou du ruban double face. Sinon la finition du dessous des enceintes ou la surface sur laquelle elles sont posées pourrait être endommagée.

### **NOTE**

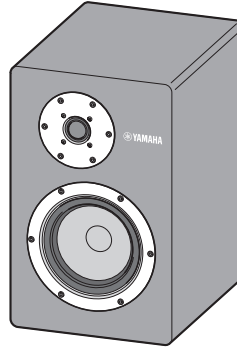
- Si vous utilisez le support d'enceinte Yamaha en option (SPS-3000), il est inutile d'ajouter les coussinets.

# Placement des enceintes

NS-3000 (L)

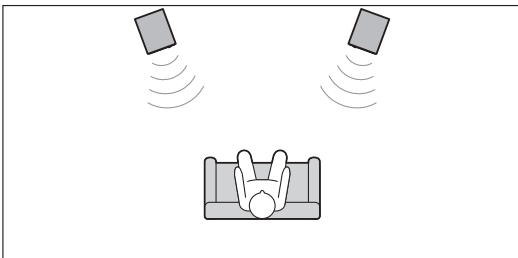


NS-3000 (R)



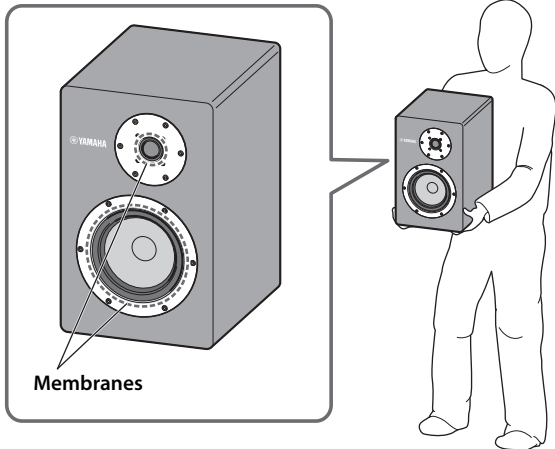
## ■ Utilisation comme enceintes stéréo 2 canaux

Les meilleures images stéréo seront obtenues quand les enceintes sont légèrement orientées vers l'auditeur.



### **NOTE**

- Dans les pièces de forme inhabituelle ou contenant des sources de réflexions, changez la position et l'orientation des enceintes pour obtenir une reproduction stéréo correcte. Si nécessaire, inversez la position des enceintes gauche-droite.

**ATTENTION**

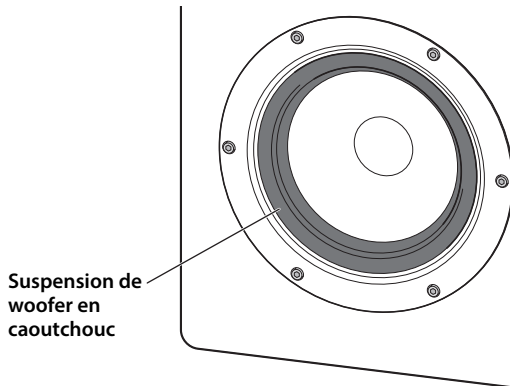
- Vu que les surfaces latérales des enceintes ont une finition polie glissante, tenez l'enceinte par le dessous et les côtés pour la transporter.
- Quand vous posez l'enceinte sur le support d'enceinte, etc., veillez à ne pas vous pincer les doigts ou les mains.

**AVIS**

- Veillez à ne jamais toucher les membranes à l'avant de l'enceinte. Sinon vous risquez de les endommager.
- Cette enceinte est équipée d'un blindage magnétique. Pour éviter les interférences et la dégradation des couleurs de l'image, n'installez pas les enceintes trop près d'un téléviseur à tube cathodique. Le cas échéant, éloignez les enceintes du téléviseur.

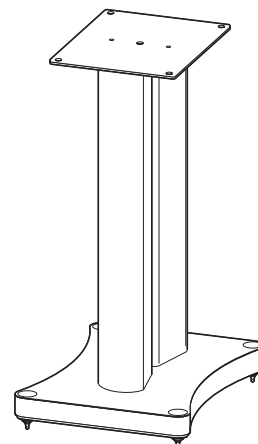
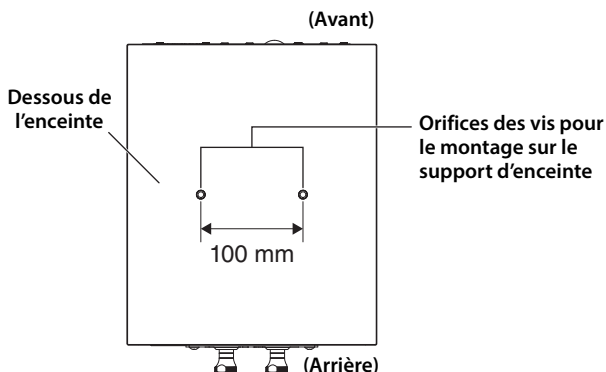
**NOTE**

- Le type particulier de caoutchouc utilisé pour la suspension du woofer a été soigneusement choisi pour contribuer à une qualité sonore optimale. Il se pourrait que le caoutchouc change de couleur et blanchisse. Ce blanchissement du caoutchouc n'est absolument pas un problème et n'a aucun effet sur le son. Il résulte tout simplement de la pénétration d'un composant du caoutchouc jusqu'à la surface.

**Quand vous utilisez le support d'enceinte Yamaha en option (SPS-3000)**

Pour monter les enceintes sur supports au sol, fixez les enceintes aux supports SPS-3000 à l'aide des orifices sur le dessous des enceintes.

Pour la procédure de montage, voyez également le « Mode d'emploi du SPS-3000 ».

Support d'enceinte  
Yamaha SPS-3000

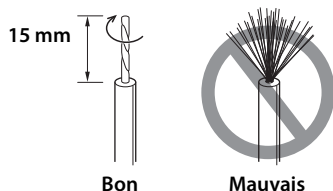
# Raccordement à votre amplificateur

Avant de réaliser la connexion, assurez-vous que l'amplificateur est hors tension.

## ■ Connexions

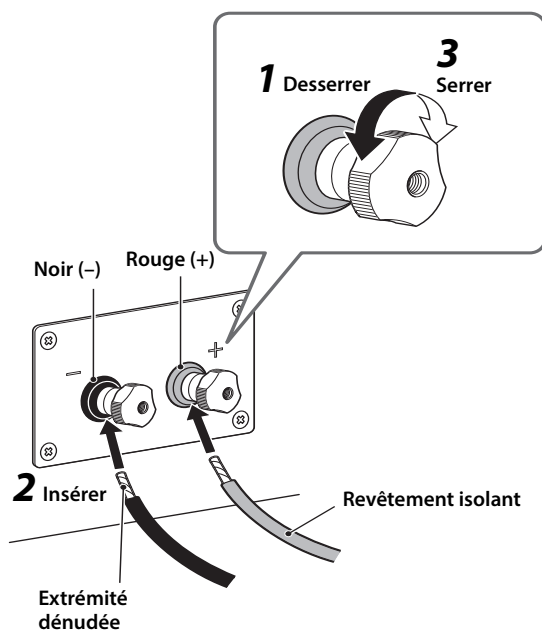
Pour les connexions il faut se procurer un cordon d'enceinte dans le commerce.

La taille et/ou la matière du cordon d'enceinte a un effet sur la qualité du son. C'est pourquoi il est conseillé de se procurer un cordon d'enceinte de grande qualité pour tirer le meilleur parti de cette enceinte.



Dénudez 15 mm de gaine d'isolation de chaque extrémité de câbles, et torsadez les extrémités dénudées de chaque conducteur ensemble soigneusement et étroitement, comme illustré.

## ■ Comment raccorder les enceintes aux câbles



**1** Dévissez le boutons de borne au dos de cette unité.



- Quand le bouton de borne est dévissé à fond, il se détache. Conservez les boutons de borne déposés hors de portée d'enfants en bas âge pour éviter les risques d'ingestion accidentelle.

**2** Insérez l'extrémité dénudée du câble dans l'orifice de la borne.

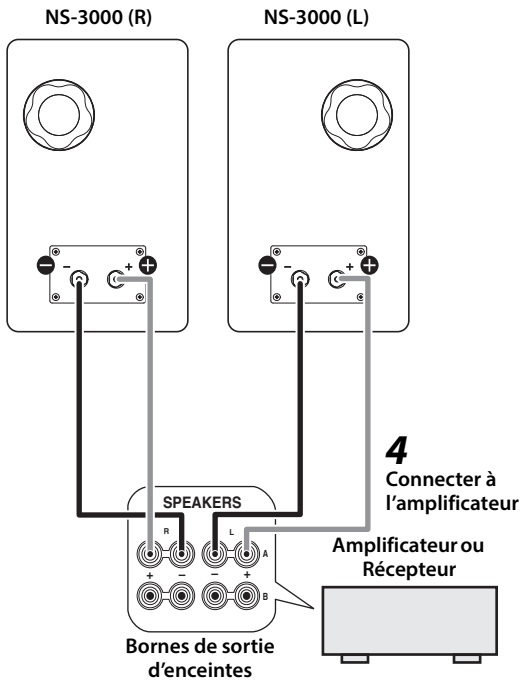
### NOTE

- Veillez à ce que seule la portion dénudée et non la gaine soit insérée dans l'orifice. Sinon l'enceinte ne produira peut-être pas de son..

**3** Vissez le bouton de borne de sorte à immobiliser le câble.

Vérifiez que la connexion est ferme en tirant légèrement sur le câble au niveau de la borne.





#### 4 Branchez les câbles d'enceinte aux bornes L (gauche) et R (droite) de l'amplificateur.

##### NOTE

- Sur cette unité, la borne positive (+) est rouge et la borne négative (-) est noire.
- Si vous inversez la polarité d'une enceinte, le son manquera de naturel et de grave.

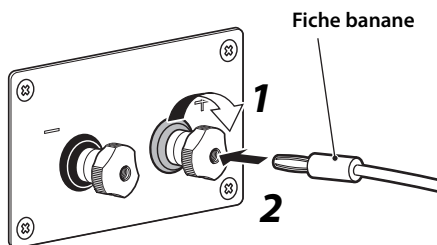
##### AVIS

- Ne laissez pas les fils dénudés des bornes positive (+) et négative (-) entrer en contact les uns avec les autres ou avec des surfaces métalliques. Cela risquerait d'endommager les enceintes.
- Afin d'éviter de trébucher sur des câbles traînant sur le sol et de provoquer un accident, fixez-les au sol.
- L'enceinte peut être endommagée si certains sons sont produits à volume élevé en continu. Par exemple, si les ondes sinusoïdales d'un disque test, les graves d'instruments électroniques, etc. sont fournis sans interruption, ou si le stylet d'une platine tourne-disque touche la surface d'un disque, réduisez le niveau sonore pour éviter d'endommager l'enceinte.

##### NOTE

- Si vous utilisez un amplificateur dont la puissance de sortie nominale est supérieure à la puissance d'entrée nominale de l'enceinte, veillez à ne pas dépasser l'entrée maximale de l'enceinte.
- Veuillez vous référer au mode d'emploi fourni avec votre amplificateur ou récepteur.

#### ■ Utilisation d'une fiche banane



**1** Vissez le bouton.

**2** Insérez simplement la fiche banane dans la borne.

# Caractéristiques techniques

<b>Type</b> .....Enceinte bibliothèque 2 voies de type bass-reflex Blindage non magnétique	<b>Puissance d'entrée nominale</b> ..... 60 W
<b>Excitateur</b> .....Haut-parleur grave: 16 cm de type cône Haut-parleur aigu: 3 cm de type dôme	<b>Puissance d'entrée maximale</b> ..... 120 W
<b>Impédance</b> ..... 6 $\Omega$ (Minimum 4,6 $\Omega$ )	<b>Sensibilité</b> ..... 87 dB/2,83 V, 1 m
<b>Réponse en fréquence</b> .....39 Hz – 60 kHz (-10 dB) – 100 kHz (-30 dB)	<b>Fréquence de transfert</b> .....2,8 kHz
	<b>Dimensions (L x H x P)</b> ..... 244 × 394 × 326 mm
	<b>Poids</b> ..... 13,1 kg

- \* Le contenu de ce mode d'emploi s'applique aux dernières caractéristiques techniques connues à la date de publication du manuel. Pour obtenir la version la plus récente du manuel, accédez au site Web de Yamaha puis téléchargez le fichier du manuel concerné.
- \* Faites attention de ne pas dépasser les valeurs de la puissance d'entrée données ci-dessus.

# VORSICHTSMASSNAHMEN

**BITTE VOR DER NUTZUNG SORGFÄLTIG LESEN. BEFOLGEN SIE DIESE ANWEISUNGEN IN JEDEM FALL.**

Die unten aufgeführten Vorsichtsmaßnahmen dienen dazu, dem Verletzungsrisiko für den Anwender und Andere vorzubeugen, sowie Beschädigung eigenen oder fremden Eigentums zu verhindern und dem Anwender den korrekten und sicheren Gebrauch des Produkts zu ermöglichen. Befolgen Sie diese Anweisungen in jedem Fall.

Bewahren Sie das Handbuch nach der Lektüre an einem sicheren Ort auf, um jederzeit darin nachschlagen zu können.

- Lassen Sie das Produkt bei dem Händler, bei dem Sie das Produkt erworben haben oder durch qualifiziertes Fachpersonal bei Yamaha überprüfen oder reparieren.
- Yamaha haftet nicht für Personen- oder Sachschäden, die auf unsachgemäße Benutzung oder Veränderungen des Geräts zurückzuführen sind.
- Dieses Produkt ist für gewöhnliche Wohnungen vorgesehen. Verwenden Sie es nicht für Anwendungen, die eine hohe Zuverlässigkeit erfordern, wie Lebenserhaltung, Gesundheit & Pflege oder wertvolle Vermögenswerte.



## WARNUNG

Dieser Inhalt weist auf „unmittelbares Risiko schwerer Verletzungen oder Todesgefahr“ hin.

### Ungewöhnliche Vorkommnisse

- Wenn eines der folgenden ungewöhnlichen Dinge auftritt, schalten Sie den/die Verstärker bzw. Receiver sofort aus.
  - Das Gerät erzeugt einen ungewöhnlichen Geruch, ungewöhnliches Geräusch oder Rauch.
  - Fremdmaterial oder Wasser ist in das Innere des Geräts eingedrungen.
  - Während der Verwendung kommt es zu einem Tonausfall.
  - Das Gerät weist Risse oder andere Schäden auf.Durch fortgesetzten Gebrauch könnten ein elektrischer Schlag, Brand oder Fehlfunktionen verursacht werden. Lassen Sie die Einheit unverzüglich bei dem Händler, bei dem Sie sie erworben haben, überprüfen oder reparieren, oder wenden Sie sich an qualifiziertes Fachpersonal bei Yamaha.

### Aufstellung

- Das Gerät wie in der Anleitung beschrieben aufstellen. Ab- und Umstürze können Verletzungen oder Schäden verursachen.
- Bestätigen Sie, dass die abgeschlossene Aufstellung sicher ist. Führen Sie außerdem regelmäßige Sicherheitskontrollen durch. Andernfalls könnten Geräte abstürzen und Verletzungen verursachen.
- Befestigen Sie Lautsprecherkabel immer an einer Wand o.Ä. Wenn sich jemand mit Füßen oder Händen an den Kabeln verfängt, könnten die Lautsprecher herunterfallen oder umkippen und Fehlfunktionen oder Verletzungen verursacht werden.

### Nicht auseinanderbauen

- Dieses Gerät nicht zerlegen oder umrüsten. Die Nichtbeachtung dieser Anweisung kann zu Bränden, elektrischem Schlag, Verletzungen oder Fehlfunktionen führen.

### Gefahr durch Wasser

- Schützen Sie das Gerät vor Regen, Wasser und Feuchtigkeit, und stellen Sie keine mit Flüssigkeiten befüllten Behälter (wie Vasen, Flaschen oder Gläser) darauf ab, deren Inhalt auslaufen und durch Öffnungen einfließen oder tropfen könnte. Dringt eine Flüssigkeit wie Wasser in das Gerät ein, können Brand, Stromschlag oder Störung erfolgen.

### Brandschutz

- Halten Sie brennende Gegenstände und offene Flammen vom Gerät fern, um einen Brand zu vermeiden.



## VORSICHT

Der zugehörige Inhalt weist auf „ein Risiko schwerer Verletzungen“ hin.

### Aufstellung

- Stellen Sie das Gerät nicht an einer instabilen Stelle ab, wo es versehentlich ab- oder umstürzen und Verletzungen verursachen könnte.
- Montieren Sie das Gerät ausschließlich wie beschrieben. Andernfalls kann eine Störung oder ein Umkippen des Geräts sowie eine Verletzung verursacht werden.
- Stellen Sie das Gerät nicht an Orten auf, an dem es korrosiven Gasen oder salzhaltiger Luft ausgesetzt ist. Dadurch kann es zu Fehlfunktionen kommen.
- Vermeiden Sie es, sich in Gefahrensituationen wie einem Erdbeben in der Nähe des Geräts aufzuhalten. Da das Gerät um- oder abstürzen und Verletzungen verursachen könnte, suchen Sie sich so bald wie möglich einen sicheren Ort abseits des Geräts.
- Bevor Sie das Gerät versetzen, müssen alle Verbindungskabel gelöst werden. Andernfalls können die Kabel beschädigt werden bzw. dazu führen, dass Sie oder andere Personen darüber stolpern und stürzen.

### Hörminderung

- Benutzen Sie das Gerät nicht über längere Zeit mit hoher oder unbequemer Lautstärke, da dies zu dauerhaftem Hörverlust führen kann. Sollten Sie einen Hörverlust erleiden oder ein Klingeln in den Ohren wahrnehmen, suchen Sie einen Arzt auf.
- Bevor Sie dieses Gerät mit anderen Geräten verbinden, schalten Sie alle Geräte aus. Nichtbeachtung kann eine Hörminderung, einen elektrischen Schlag oder Geräteschäden zur Folge haben.

### Vorsichtsmaßnahmen während der Benutzung

- Stecken Sie nicht Ihre Hand oder Finger in den Bassreflexport (Öffnung an der Rückwand) dieses Geräts. Nichtbeachtung dieser Anweisung kann zu Verletzungen führen.
- Stecken Sie keine Fremdgegenstände wie Metall oder Papier in den Bassreflexport (Öffnung an der Rückwand) dieses Geräts. Die Nichtbeachtung dieser Anweisung kann zu elektrischem Schlag, Bränden oder Fehlfunktionen führen. Sollten Fremdkörper in das Gerät eingedrungen sein, schalten Sie sofort alle Verstärker und Receiver aus und lassen Sie das Gerät beim Händler, bei dem Sie es erworben haben, oder durch qualifiziertes Yamaha Kundendienstpersonal prüfen.
- Halten Sie kleine Teile außer Reichweite von Kindern. Kinder könnten sie versehentlich verschlucken.
- Tun Sie folgende Dinge nicht:
  - Sitzen oder Stehen auf dem Gerät
  - Abstellen schwerer Gegenstände auf dem Gerät
  - Stapeln des Geräts
  - Ausüben übermäßiger Kraft auf Tasten, Schalter, Anschlüsse usw.
  - Anlehnen an das GerätAndernfalls könnten Verletzungen oder Geräteschäden erfolgen.
- Ziehen Sie nicht an den angeschlossenen Kabeln, um Verletzung oder Beschädigung durch einen Absturz zu vermeiden.
- Benutzen Sie das Gerät nicht, wenn der Ton verzerrt ist. Ein längerer Einsatz in diesem Zustand kann Überhitzung und einen Brand verursachen.
- Prüfen Sie bei der Auswahl eines Verstärkers oder Receivers für den Einsatz mit diesem Gerät, dass die Ausgangsleistung des Verstärkers oder Receivers die maximale Eingangsleistung dieses Geräts nicht übersteigt (s. S. 26). Andernfalls können Brände oder Störungen verursacht werden.

# ACHTUNG

**Kennzeichnet Punkte, die zu beachten sind, um einen Ausfall, eine Beschädigung oder eine Störung des Produkts sowie einen Verlust von Daten zu vermeiden.**

## Aufstellung

- Verwenden Sie dieses Gerät nicht an Orten, die direkter Sonneneinstrahlung ausgesetzt sind, sehr heiß werden (z.B. in Nähe einer Heizung) bzw. extrem kalt sind oder übermäßigem Staub oder Vibrationen ausgesetzt sind. Andernfalls könnte die Frontblende verformt, die inneren Bauteile gestört oder der Betrieb instabil werden.

## Anschlüsse

- Wenn Sie externe Geräte anschließen, lesen Sie deren Anleitung gründlich durch und verbinden Sie die Geräte den Anweisungen entsprechend.  
Wenn Sie ein Gerät nicht gemäß den Anweisungen behandeln, können Fehlfunktionen auftreten.

## Handhabung

- Stellen Sie keine Gegenstände aus Vinyl, Kunststoff oder Gummi auf diesem Gerät ab. Bei Nichtbeachtung könnte sich das Bedienfeld dieses Geräts verfärben oder verformen.

## Wartung

- Wenn sich die Lufttemperatur und -feuchtigkeit drastisch ändern, kann sich Kondensation an der Geräteoberfläche bilden. Sollten sich Wassertröpfchen bilden, wischen Sie diese umgehend mit einem weichen Tuch ab. Auf dem Gerät verbleibende Wassertröpfchen können in die Holzteile eindringen und Verformung verursachen.
- Reinigen Sie das Gerät mit einem trockenen, weichen Tuch. Die Verwendung von Chemikalien wie Benzin oder Verdünnung, scharfer Reinigungsmittel oder chemischer Scheuertücher kann Verfärbungen oder Verformungen verursachen.

## Lautsprecher

- Vermeiden Sie es, den Wandler zu berühren. Anderenfalls könnte der Wandler beschädigt werden.

Die Wandler dieses Geräts setzen Magneten ein. Stellen Sie keine Gegenstände, die empfindlich auf Magnetismus reagieren, wie z.B. CRT-Fernseher, Uhren, Kreditkarten, Disketten usw., auf oder neben diesem Gerät auf.

# Information

## Informationen über die Funktionen des Geräts

- Aus dem Bassreflexport kann Luft austreten. Dies ist kein Anzeichen für eine Funktionsstörung. Dies tritt besonders häufig auf, wenn Musik mit schwerem Bassanteil wiedergegeben wird.

## Über die Inhalte dieser Bedienungsanleitung

- Diese Anleitung ist für den Endbenutzer bestimmt.
- Folgende Signalwörter weisen auf wichtige Informationen in der Anleitung hin



### WARNUNG

Dieser Inhalt weist auf „unmittelbares Risiko schwerer Verletzungen oder Todesgefahr“ hin.



### VORSICHT

Der zugehörige Inhalt weist auf „ein Risiko schwerer Verletzungen“ hin.

### ACHTUNG

Verweist auf Informationen, die zu beachten sind, um Gerätepannen, -schäden oder -störungen sowie Datenverluste zu verhindern und die Umwelt zu schonen.

### HINWEIS

Kennzeichnet Erläuterungen zu Anweisungen, Einschränkungen von Funktionen und hilfreiche Zusatzinformationen.

- Die in dieser Anleitung enthaltenen Abbildungen und Bildschirmdarstellungen dienen lediglich zur Veranschaulichung.
- Die in dieser Anleitung erwähnten Firmen- und Produktmamen sind Warenzeichen bzw. eingetragene Warenzeichen der entsprechenden Firmen.

Die Nummer des Modells, die Seriennummer, der Leistungsbedarf usw. sind auf dem Typenschild, das sich auf der Unterseite des Geräts befindet, oder in der Nähe davon angegeben. Sie sollten diese Seriennummer an der unten vorgesehenen Stelle eintragen und dieses Handbuch als dauerhaften Beleg für Ihren Kauf aufbewahren, um im Fall eines Diebstahls die Identifikation zu erleichtern.

**Modell Nr.**

**Seriennr.**

## Verbraucherinformation zur Sammlung und Entsorgung alter Elektrogeräte:



Befindet sich dieses Symbol auf den Produkten, der Verpackung und/oder beiliegenden Unterlagen, so sollten benutzte elektrische Geräte nicht mit dem normalen Haushaltsabfall entsorgt werden.

In Übereinstimmung mit Ihren nationalen Bestimmungen bringen Sie alte Geräte bitte zur fachgerechten Entsorgung, Wiederaufbereitung und Wiederverwendung zu den entsprechenden Sammelstellen.

Durch die fachgerechte Entsorgung der Elektrogeräte helfen Sie, wertvolle Ressourcen zu schützen, und verhindern mögliche negative Auswirkungen auf die menschliche Gesundheit und die Umwelt, die andernfalls durch unsachgerechte Müllentsorgung auftreten könnten.

Für weitere Informationen zum Sammeln und Wiederaufbereiten alter Elektrogeräte kontaktieren Sie bitte Ihre örtliche Stadt- oder Gemeindeverwaltung, Ihren Abfallentsorgungsdienst oder die Verkaufsstelle der Artikel.

### Information für geschäftliche Anwender in der Europäischen Union:

Wenn Sie Elektrogeräte ausrangieren möchten, kontaktieren Sie bitte Ihren Händler oder Zulieferer für weitere Informationen.

### Entsorgungsinformation für Länder außerhalb der Europäischen Union:

Dieses Symbol gilt nur innerhalb der Europäischen Union. Wenn Sie solche Artikel ausrangieren möchten, kontaktieren Sie bitte Ihre örtlichen Behörden oder Ihren Händler und fragen Sie nach der sachgerechten Entsorgungsmethode.

# Inhalt

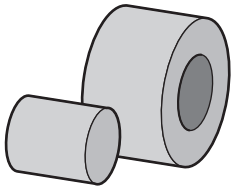
VORSICHTSMASSNAHMEN.....	19	Positionierung der Lautsprecher .....	22
Eigenschaften .....	21	Anschließen an den Verstärker .....	24
Bassreflexöffnungsstopfen.....	21	Technische Daten .....	26
Zubehör .....	22		

## Eigenschaften

Die NS-3000 sind Lautsprecher für Hi-Fi-Liebhaber, die eine lebenslange Beziehung zur Musik entwickelt haben und eine hohe Klangqualität anstreben. Der ganzflächige Klavierlackspiegel wird mit den gleichen Lackier- und Polierverfahren erzielt, die auch bei Yamaha-Flügeln angewendet werden.

- 16 cm 2-Weg-Regallautsprecher
- ZYLON™-Membran (ZYLON™ ist ein Warenzeichen von Toyobo Co., Ltd.)
- Acoustic Absorber (Schalldämpfer)
- R.S. Chamber (Resonanzunterdrückungskammer)
- Twisted Flare Port

### Bassreflexöffnungsstopfen



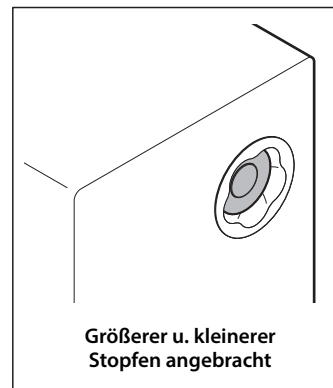
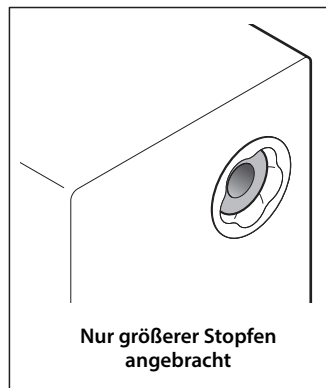
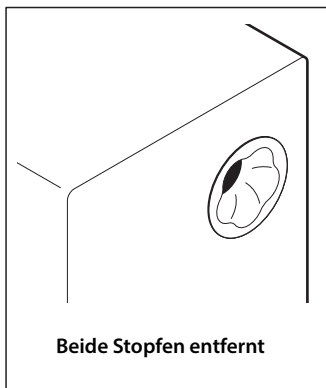
Zur Anpassung des Klangs im Tieftonbereich ist der Lautsprecher mit einem Schalldämpferstopfen für die Bassreflexöffnung (Twisted Flare Port) ausgestattet.

In Abhängigkeit des Aufstellungsorts des Lautsprechers und seiner Entfernung zur Wand können Sie zur Anpassung des Klangs im Tieftonbereich den Bassreflexöffnungsstopfen nach Bedarf anbringen oder entfernen.

Dank dem zweiteiligen (größerem u. kleineren) Stopfen kann der Klang dreistufig angepasst werden.

**Zur Dämpfung des Klangs im Tieftonbereich** ☞ Stopfen anbringen.

**Empfehlung des Herstellers** ☞ Die Lautsprecher ohne Stopfen betreiben.



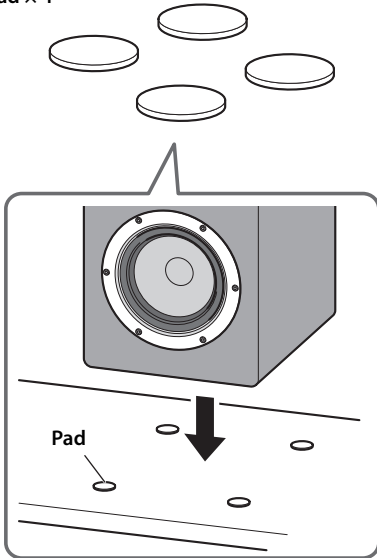
### ACHTUNG

- Drücken Sie den Stopfen nicht zu tief in die Öffnung ein. Andernfalls könnte der Stopfen in den Lautsprecher hineinfallen.
- Ist der Stopfen nicht entfernbar oder in den Lautsprecher hineingefallen, wenden Sie sich an Ihren Yamaha-Händler oder -Kundendienst.

# Zubehör

Stellen Sie sicher, dass alle Zubehörteile vorhanden sind.

Pad x 4



## ■ Einsatz der Pads



### **VORSICHT**

- Stellen Sie sicher, dass die Lautsprecher nicht herumgleiten. Andernfalls könnten sie herabfallen und Verletzungen verursachen.

Die beigelegten Pads dienen zum Schutz der Unterseite der Lautsprecher sowie der Auflagefläche.

Werden die Lautsprecher unmittelbar auf den Boden oder ein Regal abgestellt, sollten Sie wie gezeigt die Pads zwischen der Lautsprecherunterseite (4 Ecken) und Auflagefläche anbringen.

### **ACHTUNG**

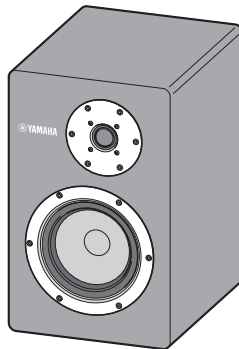
- Befestigen Sie die Pads nicht mit Kleber oder doppelseitigem Klebeband. Andernfalls könnte das Finish der Lautsprecherunterseite oder Auflagefläche beschädigt werden.

### **HINWEIS**

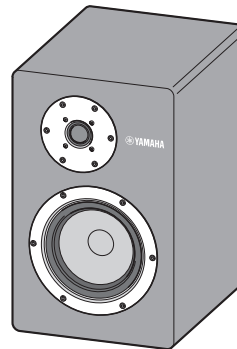
- Bei Einsatz des optionalen Yamaha-Lautsprecherständers (SPS-3000) sind die Pads nicht erforderlich.

# Positionierung der Lautsprecher

NS-3000 (L)

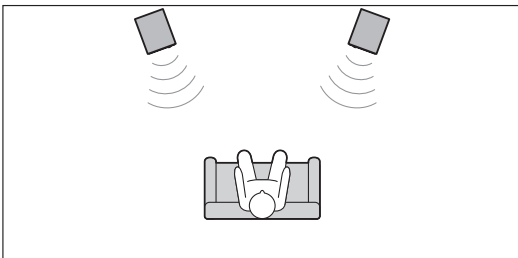


NS-3000 (R)



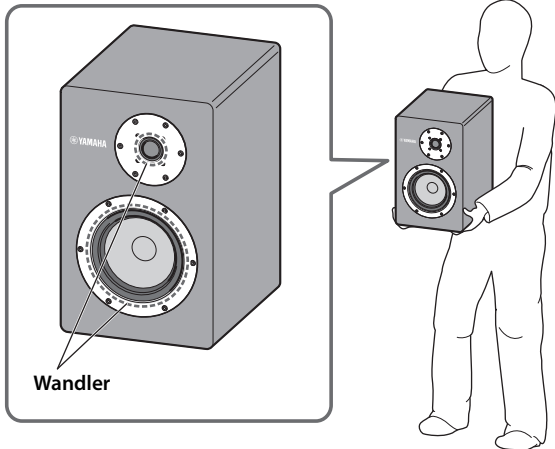
## ■ Verwendung als 2-Kanal-Stereolautsprecher

Einen besseren Stereoklang erreichen Sie, indem Sie die Lautsprecher leicht angewinkelt zum Hörer aufstellen.



### **HINWEIS**

- In Räumen mit ungewöhnlicher Form oder mit Hindernissen kann eine wirksamere Stereowiedergabe erzielt werden, indem der Aufstellungsort und die Ausrichtung der Lautsprecher nach Bedarf geändert oder der linke und rechte Lautsprecher ausgetauscht werden.

**VORSICHT**

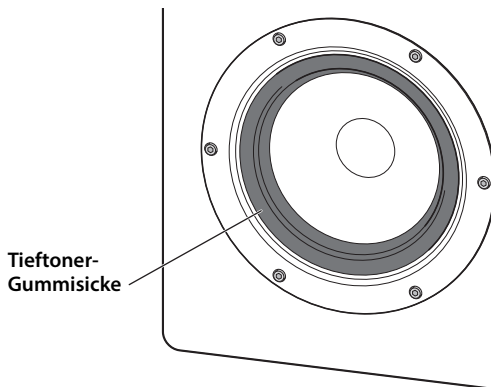
- Da die Politur an den Seitenflächen glatt ist, fassen Sie den Lautsprecher beim Tragen an den Seiten sowie an der Unterseite.
- Achten Sie beim Abstellen des Lautsprechers auf den Ständer usw. darauf, dass Sie sich nicht die Hände oder Finger einklemmen.

**ACHTUNG**

- Berühren Sie nicht die Wandler an der Vorderseite. Andernfalls können sie beschädigt werden.
- Dieses Gerät ist mit einer nichtmagnetischen Abschirmung ausgestattet. Wenn Sie dieses Gerät zu nah an einem Röhren-Fernsehgerät aufstellen, können Bildstörungen oder ein summendes Geräusch auftreten. In diesem Fall stellen Sie die Lautsprecher weiter vom Fernsehgerät entfernt auf.

**HINWEIS**

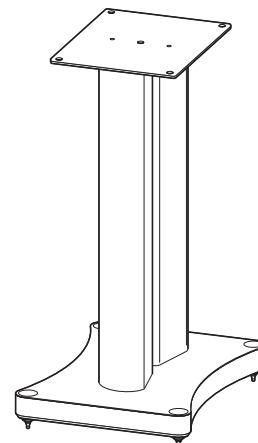
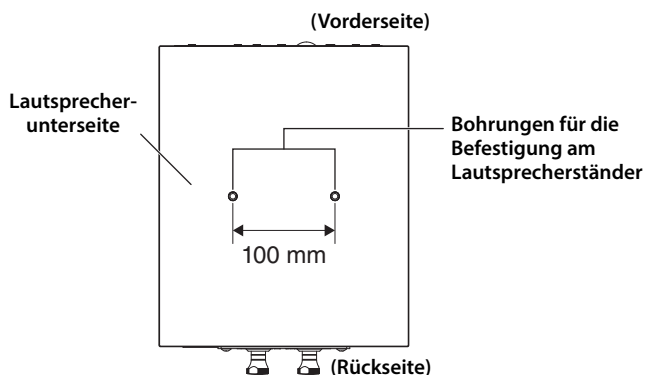
- Das für die Tieftönersicke speziell ausgewählte Gummimaterial trägt zur Optimierung der Klangqualität bei. In seltenen Fällen kann dieser Gummi sich weißlich verfärben. Diese weißliche Verfärbung rührt vom Durchdringen eines Werkstoffbestandteils her, das in keiner Weise die Leistung beeinträchtigt und kein Grund zur Besorgnis darstellt.

**Bei Einsatz des optionalen Yamaha-Lautsprecherständers (SPS-3000)**

Benutzen Sie zur Befestigung der Lautsprecher an den Bodenständern SPS-3000 die Bohrungen an der Lautsprecherunterseite.

Weitere Informationen zur Montage finden sich in der „SPS-3000 Benutzerhandbuch“.

Yamaha  
Lautsprecherständer  
SPS-3000



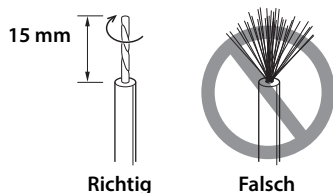
# Anschließen an den Verstärker

Vergewissern Sie sich, dass der Verstärker ausgeschaltet ist, bevor Sie die Anschlüsse durchführen.

## ■ Anschlüsse

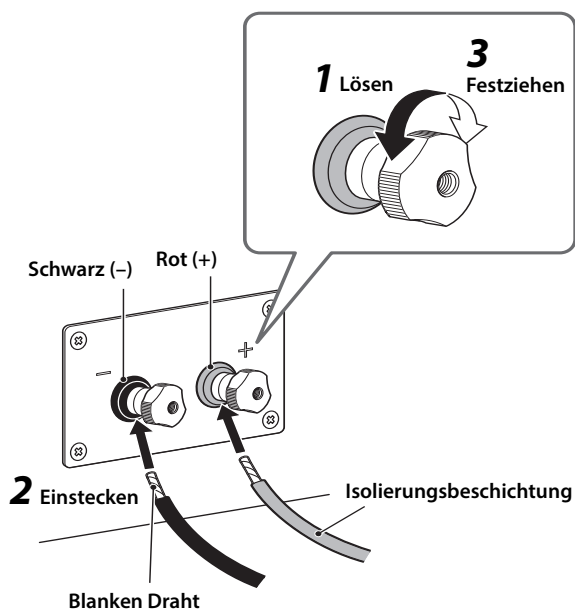
Sie benötigen ein im Fachhandel erhältliches Lautsprecherkabel.

Die Größe und/oder das Material eines Lautsprecherkabels beeinflusst die Klangqualität. Deshalb empfehlen wir den Kauf eines hochwertigen Lautsprecherkabels, um die Leistung dieser Einheit zu betonen.



Entfernen Sie 15 mm des Kabelmantels an den Enden aller Lautsprecherkabel. Verdrehen Sie die Adern so fest wie möglich, sodass keine Drähtchen mehr überstehen (siehe Abb. links).

## ■ Anschließen der Lautsprecherkabel



### 1 Lösen Sie den Klemmenknopf an der Rückseite dieses Geräts.



#### **VORSICHT**

- Wenn vollständig gelöst, fällt der Klemmenknopf ab. Bewahren Sie die entfernten Knöpfe außerhalb der Reichweite von Kleinkindern auf, um ein versehentliches Verschlucken zu verhindern.

### 2 Stecken Sie den blanken Draht in die Klemmenbohrung.

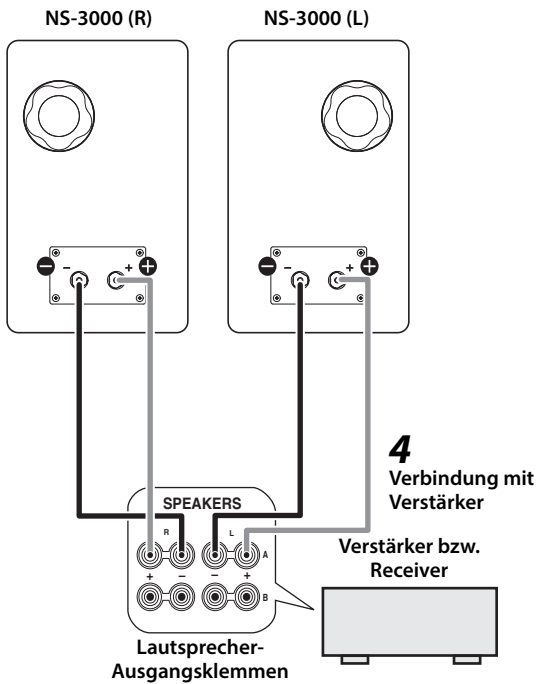
#### **HINWEIS**

- Stecken Sie nicht die Isolierung in die Bohrung. Dies verhindert möglicherweise die Klangwiedergabe.

### 3 Ziehen Sie den Klemmenknopf an, um das Kabel zu sichern.

Prüfen Sie die Festigkeit der Verbindung, indem Sie leicht am Kabel an der Klemme ziehen.





#### 4 Verbinden Sie die Lautsprecherkabel mit den Klemmen L (links) und R (rechts) am Verstärker.

##### **HINWEIS**

- Die rote Klemme dieses Geräts ist positiv (+) und die schwarze negativ (-).
- Bei vertauschter Polarität klingt der Lautsprecher unnatürlich und bassschwach.

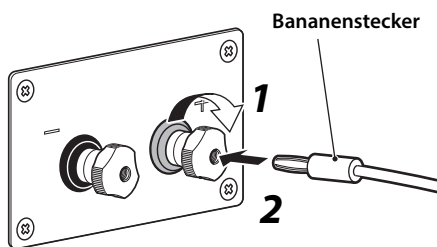
##### **ACHTUNG**

- Stellen Sie sicher, dass die blanken Drähte der positiven (+) und negativen (-) Lautsprecherkabel nicht einander oder andere Metallteile berühren. Andernfalls können die Lautsprecher beschädigt werden.
- Befestigen Sie lose Lautsprecherkabel am Boden, um Stolperunfälle zu vermeiden.
- Der Lautsprecher kann beschädigt werden, wenn bestimmte Töne mit sehr hohem Lautstärkepegel ausgegeben werden. Wenn z.B. Sinuswellen von einer Test-Disc, Bässe von einem elektronischen Instrument usw. kontinuierlich ausgegeben werden oder wenn die Abtastnadel eines Plattenspielers die Plattenoberfläche berührt, stellen Sie den Lautstärkepegel niedriger, um Schäden an den Lautsprechern zu vermeiden.

##### **HINWEIS**

- Wenn Sie einen Verstärker verwenden, dessen Nennleistung oberhalb der nominellen Aufnahmeleistung des Lautsprechers liegt, so darf die Belastbarkeitsgrenze des Lautsprechers niemals überschritten werden.
- Bitte beachten Sie die mit dem Verstärker oder Receiver mitgelieferte Benutzerhandbuch.

#### ■ Kabel mit Bananenstecker



**1** Ziehen Sie den Klemmenknopf fest.

**2** Stecken Sie den Bananenstecker in den Klemmenknopf ein.

# Technische Daten

<b>Typ</b> .....	2-Weg-Bassreflex-Regallautsprecher Ohne magnetische Schirmung	<b>Nenneingangsleistung</b> .....	60 W
<b>Treiber</b> .....	Tieftöner: 16 cm, Konus-Bauform Hochtöner: 3 cm, Kalotte-Bauform	<b>Max. Eingangsleistung</b> .....	120 W
<b>Impedanz</b> .....	6 $\Omega$ (min. 4,6 $\Omega$ )	<b>Empfindlichkeit</b> .....	87 dB/2,83 V, 1 m
<b>Frequenzgang</b> .....	39 Hz – 60 kHz (–10 dB) – 100 kHz (–30 dB)	<b>Übergangsfrequenz</b> .....	2,8 kHz
		<b>Abmessungen (B x H x T)</b> .....	244 × 394 × 326 mm
		<b>Gewicht</b> .....	13,1 kg

- \* Der Inhalt dieser Bedienungsanleitung gilt für die neuesten technischen Daten zum Zeitpunkt der Veröffentlichung. Um die neueste Version der Anleitung zu erhalten, rufen Sie die Website von Yamaha auf und laden Sie dann die Datei mit der Bedienungsanleitung herunter.
- \* Darauf achten, daß die oben angegebenen Eingangswerte nicht überschritten werden.

# PRECAUCIONES

**ANTES DE USAR EL PRODUCTO, ASEGÚRESE. ES IMPORTANTE SEGUIR ESTAS INSTRUCCIONES.**

La finalidad de las precauciones siguientes es evitar lesiones al usuario y otras personas y daños materiales. Además, ayudarán al usuario a utilizar esta unidad de forma correcta y segura. Es importante seguir estas instrucciones.

Después de leer este manual, es importante guardarlo en un lugar seguro donde pueda consultarlo en cualquier momento.

- Asegúrese de solicitar las inspecciones o reparaciones al distribuidor a quien compró la unidad o al Servicio técnico de Yamaha.
- Yamaha no se hace responsable de sus lesiones o los daños a sus productos debidos a uso inapropiado o modificaciones de la unidad.
- Este producto es para hogares corrientes. No lo utilice para aplicaciones que requieran un alto nivel de fiabilidad, tales como la gestión de vidas humanas, atención sanitaria o activos de valor elevado.



## ADVERTENCIA

**Este contenido está relacionado con “riesgo de lesiones graves o muerte”.**

### Si observa cualquier anomalía

- Si surge cualquiera de las siguientes anomalías, apague inmediatamente los amplificadores y receptores.
    - La unidad emite humo, sonidos u olores no habituales.
    - Algún material extraño o agua ha caído en el interior de la unidad.
    - Se produce una pérdida repentina de sonido durante el uso.
    - La unidad presenta alguna grieta u otro signo de deterioro.
- Si continúa usando la unidad, existe riesgo de descarga eléctrica, incendio o avería. Solicite inmediatamente una inspección o reparación al distribuidor a quien compró la unidad o al Servicio técnico de Yamaha.

### Instalación

- Instale esta unidad siguiendo las instrucciones del manual. Si se cae o se vuelca puede causar lesiones o daños.
- Una vez terminada la instalación, confirme que es segura y fiable. Realice también inspecciones de seguridad periódicamente. De lo contrario, los dispositivos podrían caerse y provocar lesiones.
- Fije siempre el cable del altavoz a una pared o similar. Si se enreda los pies o las manos en el cable, los altavoces podrían caerse o volcarse y provocar averías o lesiones.

### No desmonte la unidad

- No desmonte ni modifique esta unidad. De no seguirse estas instrucciones, existe riesgo de incendio, descargas eléctricas, lesiones o averías.

### Advertencia sobre el agua

- No exponga esta unidad a la lluvia, no la use cerca del agua o si está húmeda o mojada, no la coloque cerca de recipientes (jarrones, botellas, vasos, etc.) que contengan líquidos que puedan derramarse y entrar por cualquier abertura ni en lugares donde le pueda caer agua. La entrada de cualquier líquido, por ejemplo agua, en la unidad puede provocar un incendio, descargas eléctricas o averías.

### Advertencia sobre el contacto con fuego

- No coloque objetos ardientes ni llamas abiertas cerca de la unidad, ya que existe riesgo de incendio.



## ATENCIÓN

**Este contenido está relacionado con “riesgo de lesiones”.**

### Instalación

- No coloque la unidad sobre superficies inestables, donde pueda caerse o volcarse por accidente y provocar lesiones.
- Instale la unidad exclusivamente de la manera indicada. De lo contrario, se pueden producir averías o la unidad podría caerse y provocar lesiones.
- No instale la unidad en un lugar donde pueda entrar en contacto con gases corrosivos o aire salobre, o bien en lugares donde haya un exceso de humo o vapor. Si ocurriera, podría dar lugar a un funcionamiento defectuoso.
- Procure no estar cerca de la unidad si se produce algún desastre natural como, por ejemplo, un terremoto. Dado que la unidad podría volcar o caerse y causar lesiones, aléjese de ella rápidamente y vaya a un lugar seguro.
- Antes de mover esta unidad, asegúrese de desconectar todos los cables de conexión. De no seguirse estas instrucciones, existe riesgo de deterioro de los cables o de que usted u otra persona tropiecen con ellos y se caigan.

### Pérdida auditiva

- No utilice la unidad a un volumen alto o incómodo durante un periodo prolongado, ya que podría provocar una pérdida de audición permanente. Si experimenta alguna pérdida auditiva u oye pitidos, consulte a un médico.
- Antes de conectar la unidad a otros dispositivos, desconecte la alimentación de todos ellos. De no seguirse estas instrucciones, existe riesgo de pérdida de audición, descarga eléctrica o daños en el dispositivo.

### Precauciones de uso

- No introduzca las manos ni los dedos en el puerto bass reflex (orificio en la parte posterior) de esta unidad. De no seguirse estas instrucciones, existe riesgo de lesiones.
  - No introduzca ningún material extraño, como objetos metálicos o papel, en el puerto bass reflex (orificio en la parte posterior) de esta unidad. De no seguirse estas instrucciones, existe riesgo de incendio, descargas eléctricas o averías. Si entra algún material extraño en la unidad, apague inmediatamente la alimentación de cualquier amplificador o receptor conectado y solicite una inspección al distribuidor a quien compró la unidad o a un servicio técnico de Yamaha.
  - Mantenga las partes pequeñas fuera del alcance de los niños. Estos podrían ingerirlas por accidente.
  - No haga lo siguiente:
    - Subirse encima del equipo o sentarse en él.
    - Poner objetos pesados encima del equipo.
    - Apilar el equipo.
    - Aplicar fuerza más allá de lo razonable a los botones, interruptores, terminales de entrada/salida, etc.
    - Apoyarse sobre el equipo.
- De lo contrario, se pueden producir lesiones o daños en el equipo.
- No tire de los cables conectados para evitar lesiones o daños en la unidad debidos a caídas.
  - No utilice la unidad si el sonido se escucha distorsionado. El uso prolongado en este estado podría provocar el recalentamiento y, en consecuencia, un incendio.
  - Cuando seleccione un amplificador o un receptor para utilizar con esta unidad, compruebe que el nivel de salida del amplificador o del receptor está dentro del nivel de entrada permitido por esta unidad (ver página 34). Si la potencia de salida es mayor que la capacidad de potencia, puede provocarse una avería o un incendio.

# AVISO

Indica puntos que debe observar para evitar averías, daños o mal funcionamiento del producto, así como pérdidas de datos.

## Instalación

- No use esta unidad en una ubicación que esté expuesta a la luz solar directa, que alcance temperaturas demasiado altas (por ejemplo, al lado de una estufa) o bajas ni que esté sometida a cantidades excesivas de polvo o vibraciones. De no seguirse estas instrucciones, existe riesgo de que el panel de la unidad se deforme, de que sus componentes internos se averíen o de que el funcionamiento sea inestable.

## Conexiones

- Si va a conectar unidades externas, asegúrese de leer detenidamente el manual de cada una de ellas y de conectarlas de acuerdo con las instrucciones.

Manipular la unidad sin atenerse a las instrucciones puede provocar averías.

## Manipulación

- No coloque productos de vinilo, plástico o caucho sobre esta unidad. De no seguirse estas instrucciones, el panel de la unidad podría decolorarse o deformarse.

## Mantenimiento

- Si la temperatura o la humedad cambian drásticamente, es posible que se formen gotas de agua (condensación) en la superficie de la unidad. Si se forman gotas de agua, límpielas de inmediato con un paño suave. Si se dejan gotas de agua sobre la unidad, es posible que las partes de madera las absorban, lo que provocará deformación.
- Para limpiar la unidad, utilice un paño suave y seco. No use productos químicos como bencina, disolventes, detergentes o bayetas impregnadas de productos químicos, pues podrían provocar decoloraciones o deformaciones.

## Altavoces

- No toque el diafragma. Si lo hace, puede dañarlo.

Los altavoces de esta unidad utilizan imanes. No coloque sobre esta unidad ni a su lado objetos sensibles al magnetismo, como por ejemplo TV que tengan tubo de rayos catódicos (CRT), relojes, tarjetas de crédito, disquetes, etc.

# Información

## Acerca de las funciones incluidas en la unidad

- Por el puerto bass reflex puede expulsarse aire. Esto no indica un mal funcionamiento. Es algo que ocurre muy a menudo cuando se reproduce música con graves intensos.

## Acerca del contenido de este manual

- Este manual está dirigido a los usuarios de esta unidad.
- Este manual utiliza las siguientes palabras indicadoras para la información importante:



### ADVERTENCIA

Este contenido está relacionado con “riesgo de lesiones graves o muerte”.



### ATENCIÓN

Este contenido está relacionado con “riesgo de lesiones”.

## AVISO

Indica puntos que debe observar para evitar averías, daños o mal funcionamiento y pérdidas de datos del producto, así como para proteger el medioambiente.

## NOTA

Indica notas sobre instrucciones, restricciones de funciones e información adicional que puede resultar de utilidad.

- Las figuras y pantallas de este manual solo tienen propósitos ilustrativos.
- Los nombres de empresas y productos utilizados en este manual son marcas comerciales o marcas comerciales registradas de sus respectivos titulares.

El número de modelo, el número de serie, los requisitos de alimentación, etc. pueden encontrarse en la placa de identificación o cerca de ella. Esta placa se encuentra en la parte inferior de la unidad. Debe anotar dicho número en el espacio proporcionado a continuación y conservar este manual como comprobante permanente de su compra para facilitar la identificación en caso de robo.

Nº de modelo

Nº de serie

## Información para usuarios sobre la recogida y eliminación de equipos viejos:



Este símbolo en los productos, embalajes y/o documentación adjunta significa que los productos eléctricos y electrónicos usados no se deben mezclar con los residuos domésticos normales.

Para el tratamiento, recuperación y reciclaje de productos viejos, llévelos a un punto de recogida adecuado según la legislación de su país.

Con la correcta eliminación de estos productos estará ayudando a salvar recursos valiosos y a evitar potenciales efectos negativos sobre la salud humana y el medio ambiente que podrían derivarse de un manejo inapropiado de los residuos.

Para más información sobre la recogida y reciclaje de productos viejos, póngase en contacto con su ayuntamiento, con el servicio de recogida de residuos o con el punto de venta donde los adquirió.

### Para usuarios de empresas de la Unión Europea:

Si desea desechar equipos eléctricos y electrónicos, póngase en contacto con su distribuidor o proveedor para más información.

### Información sobre la eliminación de equipos en otros países fuera de la Unión Europea:

Este símbolo solo es válido en la Unión Europea. Si desea desechar estos productos, póngase en contacto con las autoridades locales o con el distribuidor e infórmese sobre el método correcto de eliminación.

# Contenido

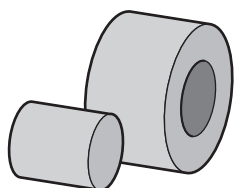
PRECAUCIONES.....	27	Colocación de los altavoces .....	30
Características.....	29	Cómo conectar el amplificador .....	32
Clavija de puerto.....	29	Especificaciones .....	34
Accesorios .....	30		

## Características

La línea NS-3000 son altavoces desarrollados para entusiastas de la alta fidelidad cuya vida está íntimamente relacionada con la música y que buscan una calidad de sonido superior. El acabado de espejo de estilo piano de toda la superficie se consigue con los mismos procesos de pintura y pulido que se utilizan en el piano de cola de Yamaha.

- **Altavoz de estante de 2 vías y 16 cm**
- **Diafragma ZYLON™** (ZYLON™ es una marca comercial de Toyobo Co.,Ltd.)
- **Absorbente acústico**
- **Cámara RS (cámara de supresión de resonancia)**
- **Puerto abocinado trenzado**

### Clavija de puerto



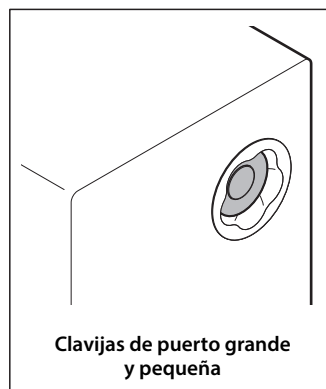
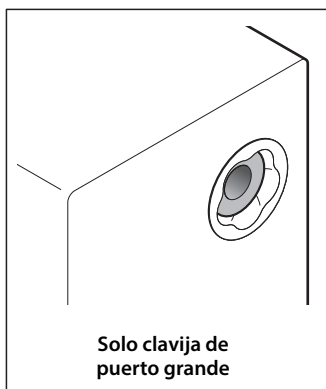
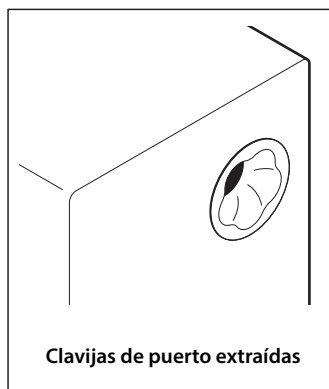
Para el ajuste del sonido en el rango de frecuencias bajas, el altavoz cuenta (dentro del puerto abocinado trenzado en la parte trasera) con una clavija de puerto (material absorbente acústico).

En función de la ubicación de instalación del altavoz y de su distancia desde la pared, inserte o extraiga la clavija de puerto en caso necesario para ajustar el sonido en el rango de frecuencias bajas.

Con las dos piezas (clavijas grande y pequeña), el sonido se puede ajustar en dos niveles.

**Para suprimir el sonido en el rango de frecuencias bajas** ☞ Inserte la clavija de puerto.

**Recomendación del fabricante** ☞ Utilice el altavoz con la clavija de puerto extraída.



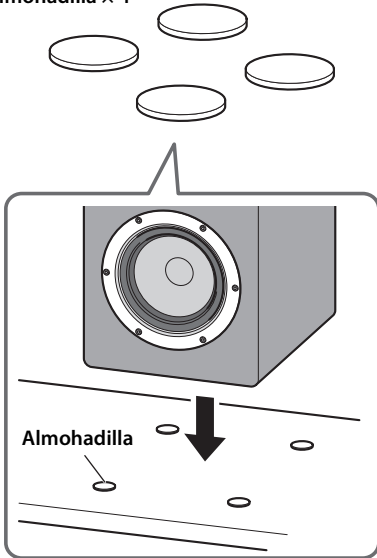
### AVISO

- Al insertar la clavija de puerto en el altavoz, no la presione demasiado. De lo contrario, podrían caerse dentro del altavoz.
- Si la clavija de puerto no se puede extraer o se cae dentro del altavoz, póngase en contacto con su concesionario Yamaha autorizado más cercano o con el centro de mantenimiento.

# Accesorios

Asegúrese de que todos los accesorios están incluidos.

Almohadilla × 4



## ■ Uso de las almohadillas



### **ATENCIÓN**

- Asegúrese de que los altavoces no se deslizan. De lo contrario, podrían caerse y provocar lesiones.

Las almohadillas incluidas se utilizan para proteger la parte inferior de los altavoces así como la superficie sobre la que se colocan.

Al colocar los altavoces directamente en el suelo o en una estantería, asegúrese de utilizar las almohadillas entre la parte inferior del altavoz (4 esquinas) y la superficie sobre la que se coloca, como se muestra.

### **AVISO**

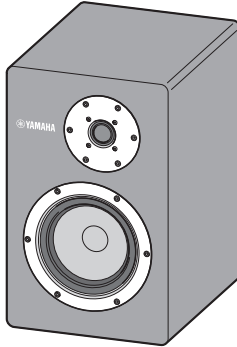
- No fije las almohadillas con adhesivo o cinta de doble cara. De lo contrario, el acabado de la parte inferior de los altavoces o de la superficie sobre la que se colocan podría despegarse.

### **NOTA**

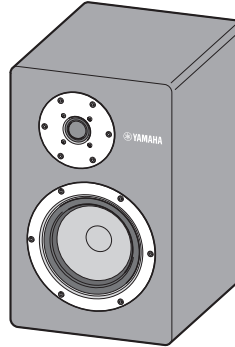
- Si se utiliza el pedestal para altavoz opcional de Yamaha (SPS-3000), las almohadillas no son necesarias.

# Colocación de los altavoces

NS-3000 (L)

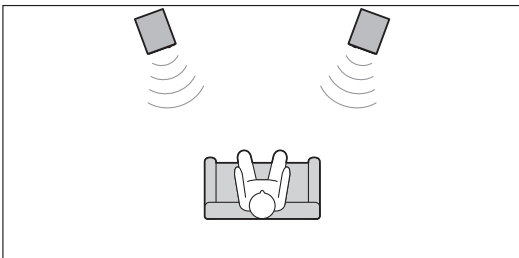


NS-3000 (R)



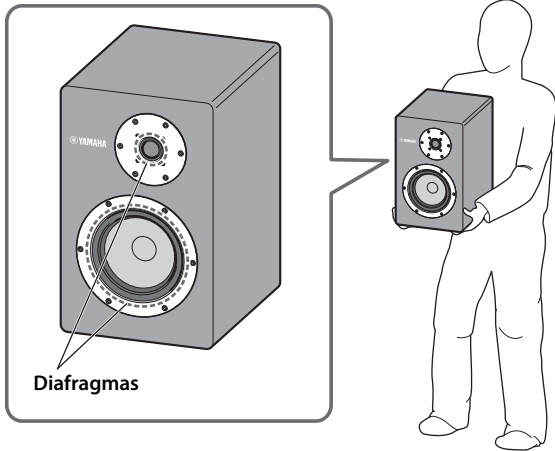
## ■ Colocación de los altavoces

El mejor rendimiento estéreo se obtiene cuando los altavoces están colocados ligeramente en ángulo hacia el oyente.



### **NOTA**

- En habitaciones con formas espaciales o que contienen obstáculos, la reproducción estéreo eficaz se logra cambiando las posiciones y orientaciones de los altavoces según sea necesario o invirtiendo las posiciones de los altavoces izquierdo y derecho.

**ATENCIÓN**

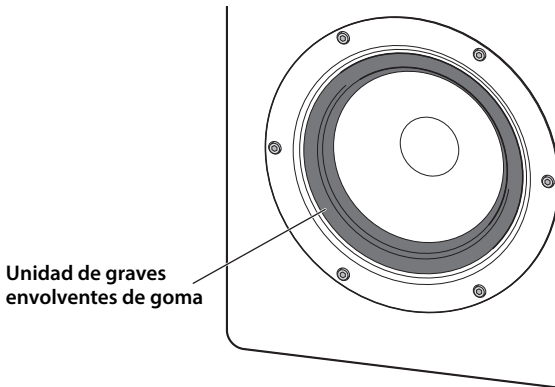
- Debido a que las superficies laterales de acabado pulido son resbaladizas, sujete el altavoz por los lados y la parte inferior para transportarlo.
- Al colocar el altavoz sobre el pedestal, etc., evite pellizcarse las manos o los dedos.

**AVISO**

- Asegúrese de no tocar los diafragmas de la parte frontal. De lo contrario, pueden resultar dañados.
- Esta unidad está diseñada con un blindaje no magnético. Si ubica los altavoces demasiado cerca de un televisor de tubo de rayos catódicos, se puede deteriorar el color de la imagen y aparecer interferencias. En este caso, aleje los altavoces del televisor

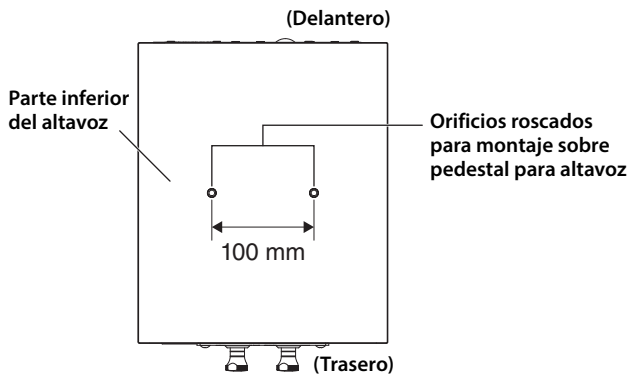
**NOTA**

- El tipo concreto de goma usada para la unidad de graves envoltentes se ha elegido cuidadosamente para contribuir a la mejor calidad de sonido. En contadas ocasiones, es posible que esta goma adopte un tono blanquecino. No se preocupe por este blanqueamiento, se trata simplemente de un componente de la goma que penetra en la superficie, pero que no afectará negativamente al rendimiento.

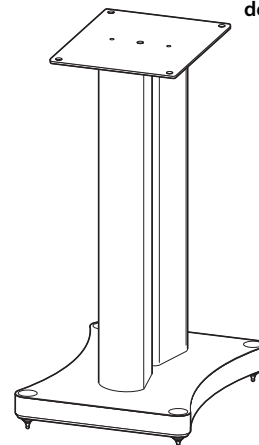
**Si se utiliza el pedestal para altavoz opcional de Yamaha (SPS-3000)**

Para utilizarlos como altavoces con pedestal de suelo, fije los altavoces al SPS-3000 usando los orificios en la parte inferior de los altavoces.

Para ver instrucciones de instalación, consulte también el "Manual del propietario del SPS-3000".



Pedestal para altavoz SPS-3000 de Yamaha



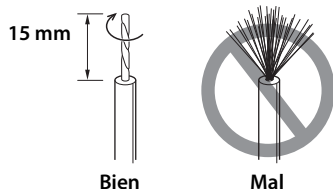
# Cómo conectar el amplificador

Antes de realizar las conexiones, asegúrese de que el amplificador está apagado.

## ■ Conexiones

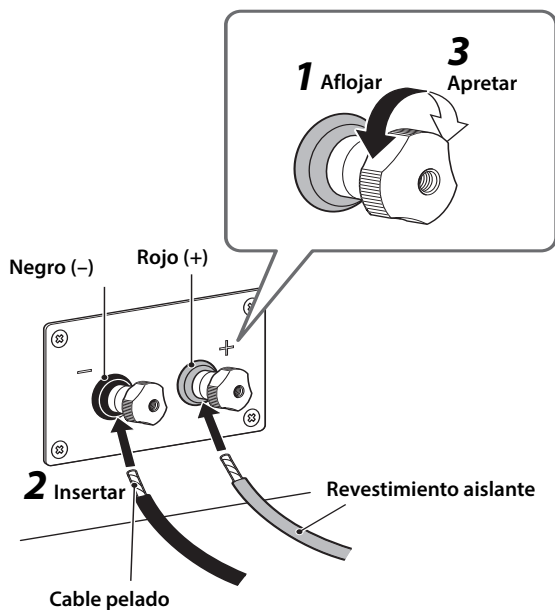
Este sistema de altavoces es apto para las conexiones estándar y de doble cable.

El tamaño y/o el material del cable del altavoz afecta a la calidad del sonido. Por lo tanto, le recomendamos adquirir uno de alta calidad para sacar el máximo provecho de esta unidad.



Quite el aislante de 15 mm de cada extremo de los cables y retuerza los conductores juntos cuidadosamente y con firmeza, como se muestra a la izquierda.

## ■ Cómo conectar los cables del altavoz



**1** Afloje la perilla del terminal en el panel trasero de esta unidad.



### **ATENCIÓN**

- Cuando la perilla del terminal esté completamente suelta, se caerá. Mantenga las perillas retiradas fuera del alcance de los niños para evitar la ingesta accidental.

**2** Inserte el cable pelado en el orificio del terminal.

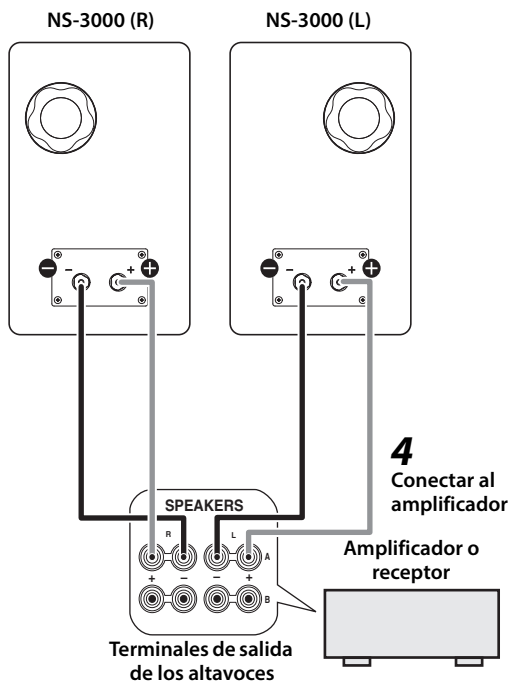
### **NOTA**

- No inserte el revestimiento aislante en el orificio. Es posible que no se genere sonido.

**3** Apriete la perilla del terminal y fije el cable.

Tire ligeramente del cable en el terminal para verificar que está firmemente conectado.





#### 4 Conecte los cables del altavoz a los terminales L (izquierdo) y R (derecho) del amplificador.

##### NOTA

- El terminal rojo de esta unidad es el positivo (+), y el terminal negro es el negativo (-).
- Si un altavoz está conectado con la polaridad invertida, el sonido tendrá poca naturalidad y sentirá que faltan graves.

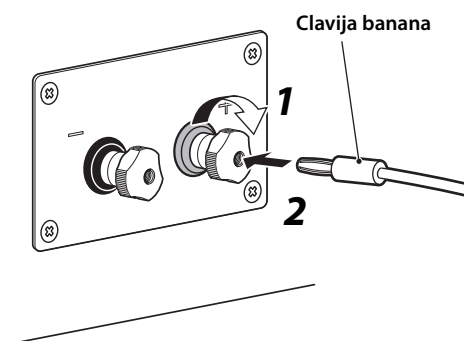
##### AVISO

- No permita que los hilos pelados de los cables positivo (+) y negativo (-) de los altavoces se toquen entre sí o toquen otras partes metálicas. De lo contrario, los altavoces podrían resultar dañados.
- Fije los cables del altavoz al suelo para evitar tropiezos y accidentes.
- El altavoz puede dañarse si ciertos sonidos salen continuamente a gran nivel de volumen. Por ejemplo, si salen continuamente las ondas senoidales de un disco de prueba, sonidos de graves de instrumentos electrónicos, etc., o cuando la aguja de un giradiscos toca la superficie del disco, reduzca el nivel del volumen para evitar que se dañe el altavoz.

##### NOTA

- Cuando utilice un amplificador con una potencia de salida nominal más alta que la potencia de entrada nominal del altavoz, debe tener cuidado para no superar la entrada máxima del altavoz.
- Refiérase al manual de instrucciones suministrado con el amplificador o el receptor.

#### ■ Al utilizar una clavija banana



**1** Apriete la perilla del terminal.

**2** Inserte la clavija banana en el terminal.

# Especificaciones

<b>Tipo</b> ... Tipo con reflexión de graves de estantería de 2 vías Tipo blindado no magneticamente	<b>Potencia nominal</b> ..... 60 W
<b>Controlador</b> ..... Graves: Altavoz con cono de 16 cm Agudos: Altavoz con bóveda de 3 cm	<b>Potencia nominal de entrada máxima</b> ..... 120 W
<b>Impedancia</b> ..... 6 $\Omega$ (mínimo 4,6 $\Omega$ )	<b>Sensibilidad</b> ..... 87 dB/2,83 V, 1 m
<b>Respuesta de frecuencia</b> ..... 39 Hz – 60 kHz (–10 dB) – 100 kHz (–30 dB)	<b>Frecuencia de cruce</b> ..... 2,8 kHz
	<b>Dimensiones (An x Al x Pr)</b> ..... 244 × 394 × 326 mm
	<b>Peso</b> ..... 13,1 kg

- \* El contenido de este manual se aplica a las últimas especificaciones según la fecha de publicación. Para obtener el último manual, acceda al sitio web de Yamaha y descargue el archivo del manual.
- \* Deberá tenerse cuidado en no exceder los valores de potencia de entrada arriba indicados.

# ПРАВИЛА ТЕХНИКИ БЕЗОПАСНОСТИ

## ПЕРЕД ИСПОЛЬЗОВАНИЕМ ВНИМАТЕЛЬНО ПРОЧИТАЙТЕ ДАННЫЕ УКАЗАНИЯ. СЛЕДУЙТЕ ЭТИМ ИНСТРУКЦИЯМ.

Перечисленные ниже меры предосторожности предназначены для предотвращения риска причинения вреда пользователю и другим людям, а также для предотвращения повреждения имущества и оказания помощи пользователю по надлежащему и безопасному использованию данного аппарата. Следуйте этим инструкциям.

После прочтения храните это руководство в надежном месте, чтобы к нему можно было обратиться в любое время.

- Для проведения осмотра или ремонта обязательно обращайтесь к дилеру, у которого был приобретен аппарат, либо в сервисный центр Yamaha.
- Yamaha не несет ответственности за полученные вами травмы или повреждения изделий в результате ненадлежащего использования или модификаций аппарата.
- Данное устройство предназначено для домашнего использования. Не используйте его в областях, требующих высокой надежности, например в сфере жизнеобеспечения, здравоохранения или при работе с ценными активами.



### ПРЕДУПРЕЖДЕНИЕ

Данная информация предупреждает о риске гибели или получения серьезных травм.

#### Нештатные ситуации

- При возникновении какого-либо из перечисленных нарушений немедленно выключите все усилители и приемники.
    - Из аппарата исходит необычный запах, звук или дым.
    - Внутри аппарата попал посторонний предмет или вода.
    - Во время работы пропадает звук.
    - На аппарате имеются трещины или повреждения.
- Продолжение использования может вызвать поражение электрическим током, пожар или привести к неисправности. Незамедлительно обратитесь для осмотра аппарата в место его приобретения или в сервисный центр Yamaha.

#### Установка

- Выполните установку согласно инструкциям в данном руководстве. Падение или опрокидывание может привести к травме или повреждению.
- Убедитесь в том, что установка выполнена безопасно и надежно. Также периодически проводите проверку безопасности. Несоблюдение этого указания может привести к падению устройств и получению травмы.
- Всегда фиксируйте кабель колонки к стене или аналогичным образом. Если вы заденете кабель ногой или рукой, колонки могут упасть или перевернуться, что приведет к неисправностям или травмам.

#### Не разбирать

- Не разбирайте и не изменяйте конструкцию аппарата. Несоблюдение этого указания может привести к пожару, поражению электрическим током, травмам или неисправностям.

#### Бережь от воды

- Не оставляйте аппарат под дождем, не используйте его рядом с водой либо во влажной или мокрой среде, не ставьте на него контейнеры с жидкостью (например, вазы, бутылки или стаканы), которая может пролиться и попасть в отверстия, а также не располагайте аппарат в местах, где на него может капать вода. Жидкость, например вода, попавшая внутрь аппарата, может вызвать пожар, поражение электрическим током или неисправность.

#### Бережь от огня

- Не размещайте горячие предметы или источники открытого огня рядом с аппаратом, поскольку это может привести к возгоранию.



### ВНИМАНИЕ

Данная информация предупреждает о риске получения травмы.

#### Установка

- Не оставляйте аппарат в неустойчивом положении. Аппарат может случайно упасть и причинить травму.
- Устанавливайте аппарат только указанными способами. Несоблюдение этого указания может привести к неисправностям или падению аппарата и причинить травму.
- Не устанавливайте аппарат в местах, где он может контактировать с коррозионными газами или соленым воздухом, либо в местах с чрезмерным количеством дыма или пара. Это может стать причиной неисправности.
- Не рекомендуется находиться в непосредственной близости от аппарата во время стихийных бедствий, например землетрясений. Поскольку аппарат может перевернуться или упасть и причинить травму, быстро отойдите от аппарата и перейдите в безопасное место.
- Перед перемещением аппарата отсоедините все подключенные кабели. Несоблюдение этого указания может привести к повреждению кабелей или привести к падению вас или кого-либо еще.

#### Потеря слуха

- Не используйте аппарат в течение длительного периода времени с высоким или некомфортным уровнем громкости, поскольку это может привести к необратимой потере слуха. При ухудшении слуха или звоне в ушах обратитесь к врачу.
- Перед подключением аппарата к другим устройствам отключите их питание. В противном случае это может привести к потере слуха, поражению электрическим током или повреждению устройства.

#### Меры безопасности при эксплуатации

- Не вставляйте руку или пальцы в порт фазоинвертора (отверстие сзади) на данном аппарате. Несоблюдение этого указания может привести к травме.
- Не вставляйте посторонние предметы, например, металл или бумагу, в порт фазоинвертора (отверстие сзади) на данном аппарате. Несоблюдение этого указания может привести к поражению электрическим током или неисправностям. При попадании посторонних предметов в аппарат немедленно выключите все усилители и приемники и обратитесь за проведением осмотра к дилеру, у которого был приобретен аппарат, либо в сервисный центр Yamaha.
- Храните мелкие детали в недоступном для маленьких детей месте. Дети могут случайно проглотить их.

- Запрещается:
  - вставать или садиться на оборудование;
  - ставить на оборудование тяжелые предметы;
  - ставить экземпляры оборудования друг на друга;
  - применять избыточную силу к кнопкам, переключателям, разъемам ввода-вывода и т. д.
  - опираться на оборудование.

Несоблюдение этого указания может привести к травмам или повреждению оборудования.

- Не тяните за подключенные кабели. Это может привести к травмам или повреждению аппарата вследствие его падения.
- Не используйте аппарат, если звук искажен. Длительное использование в таком состоянии может вызвать перегрев и привести к пожару.
- При выборе усилителя или приемника для использования совместно с данным аппаратом проверьте уровень выходного сигнала на усилителе или приемнике, он должен быть в пределах допустимого уровня входного сигнала данного аппарата (см. стр. 42). Если выходная мощность выше допустимой мощности, это может вызвать пожар или неисправность.

## УВЕДОМЛЕНИЕ

**Указания, которые необходимо соблюдать во избежание неисправности, повреждения или нарушения работы изделия, а также потери данных.**

### Установка

- Не используйте этот аппарат в месте, которое подвержено воздействию прямого солнечного света, которое может слишком сильно нагреться (например, рядом с обогревателем) или охладиться либо которое подвержено слишком сильному воздействию пыли или вибрации. Это может привести к деформации панели аппарата, вызвать неисправности внутренних компонентов или стать причиной нестабильной работы.

### Подключения

- При подключении внешних устройств обязательно внимательно прочитайте руководство для каждого устройства и подключите их в соответствии с инструкциями. Неправильное подключение аппарата, нарушающее инструкции, может привести к его неправильной работе.

### Обращение с аппаратом

- Не ставьте на этот аппарат виниловые, пластмассовые и резиновые предметы. Это может стать причиной деформации или выцветания панели аппарата.

### Техническое обслуживание

- При резком изменении температуры или влажности есть вероятность образования капелек (конденсата) на поверхности аппарата. При образовании капелек воды немедленно сотрите их мягкой сухой тканью. Если оставить капельки воды на аппарате, они могут впитаться в деревянные детали и вызвать деформацию.
- Для чистки аппарата пользуйтесь мягкой сухой тканью. Использование химикатов, таких как бензин или разбавитель, моющих средств или тканей для химической чистки может привести к деформации или обесцвечиванию.

### Акустика

- Не прикасайтесь к диафрагме. Несоблюдение этого указания может привести к повреждению диафрагмы.

В акустике аппарата используются магниты. Не располагайте предметы, чувствительные к магнитному полю, например, телевизоры с кинескопом, часы, кредитные карты, дискеты и т. д., на аппарате или рядом с ним.

# Информация

## Функции в составе аппарата

- Из порта фазоинвертора может выходить воздух. Это не является неисправностью. Это часто происходит при воспроизведении музыки с насыщенными низкими частотами.

## О содержании этого руководства

- Руководство предназначено для пользователей данного аппарата.
- В данном руководстве используются следующие сигнальные слова для обозначения важной информации.



### ПРЕДУПРЕЖДЕНИЕ

Данная информация предупреждает о риске гибели или получения серьезных травм.



### ВНИМАНИЕ

Данная информация предупреждает о риске получения травмы.

## УВЕДОМЛЕНИЕ

Указания, которые необходимо соблюдать во избежание неисправности, повреждения или нарушения работы изделия, потери данных, а также с целью защиты окружающей среды.

## ПРИМЕЧАНИЕ

Примечания в отношении инструкций, ограничения функций и дополнительная информация, которая может быть полезна.

- Иллюстрации и снимки экранов в данном руководстве приведены только в качестве примеров.
- Названия компаний и изделий в данном руководстве являются товарными знаками или зарегистрированными товарными знаками соответствующих компаний.

### Важное примечание:

### Информация об условиях Гарантии для Клиентов в Российской Федерации [Русский]

Для получения подробной информации об условиях Гарантии на продукцию Yamaha в России, условиях гарантийного обслуживания, пожалуйста, посетите веб-сайт по адресу ниже (на сайте доступен файл с условиями для скачивания и печати) или обратитесь в офис представительства Yamaha в России.  
<https://ru.yamaha.com/ru/support/>

Номер модели, серийный номер, требования к источнику питания и пр. указаны на табличке с названием изделия в нижней части устройства или рядом с ней. Запишите серийный номер в расположенном ниже поле и сохраните данное руководство как подтверждение покупки; это поможет идентифицировать принадлежность устройства в случае кражи.

### Номер модели.

### Серийный номер.

# Содержание

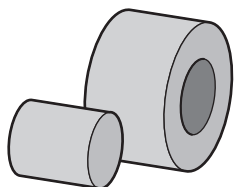
ПРАВИЛА ТЕХНИКИ БЕЗОПАСНОСТИ .....	35	Расположение акустики .....	38
Свойства .....	37	Подключение акустики к усилителю.....	40
Заглушка порта.....	37	Технические характеристики .....	42
Принадлежности .....	38		

## Свойства

NS-3000 - это акустика, разработанная для любителей высокого качества, которые не представляют жизни без музыки и ищут качественный звук. Зеркальное рояльное покрытие всей поверхности создается с помощью тех же процессов покраски и полировки, которые используются для концертного рояля Yamaha.

- 2-ходовая полочная акустика 16 см
- Диафрагма ZYLON™ (ZYLON™ является товарным знаком компании Toyobo Co.,Ltd.)
- Акустический поглотитель
- Камера ПР (камера подавления резонанса)
- Разъем Twisted Flare Port

### Заглушка порта



Для настройки звука в низкочастотном диапазоне акустика оснащена заглушкой порта из звукопоглощающего материала (внутри разъема Twisted Flare Port на задней стороне).

В зависимости от места установки акустики и расстояния до стены вставьте или выньте заглушку, если это необходимо для настройки звука в низкочастотном диапазоне.

Две части (большая и малая заглушки) позволяют настраивать звук на двух уровнях.

Для подавления звука в низкочастотном диапазоне  вставьте заглушку.

Рекомендация производителя  использовать акустику с извлеченной из разъема заглушкой.



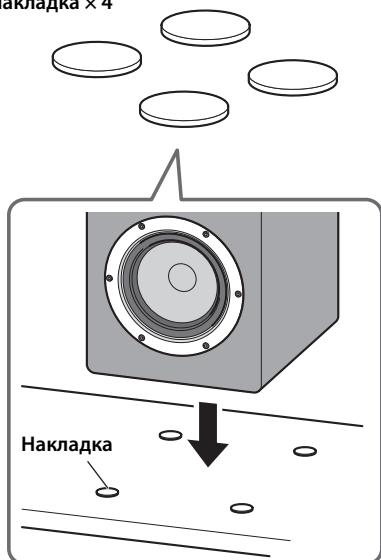
### УВЕДОМЛЕНИЕ

- При установке заглушки в акустику не вставляйте ее слишком глубоко. В противном случае она может провалиться внутрь акустики.
- Если заглушку не удается извлечь или она провалилась внутрь акустики, обратитесь к ближайшему авторизованному дилеру или в сервисный центр Yamaha.

# Принадлежности

Проверьте наличие в комплекте всех принадлежностей.

Накладка × 4



## ■ Использование накладок



### **ВНИМАНИЕ**

- Убедитесь в том, что акустика не скользит. В противном случае она может упасть и стать причиной травмы.

Входящие в комплект накладки предназначены для защиты нижней стороны акустики, а также поверхности, на которой они размещаются.

При размещении акустики непосредственно на полу или на полке обязательно используйте накладки по четырем углам между нижней стороной акустики и поверхностью размещения, как показано на рисунке.

### **УВЕДОМЛЕНИЕ**

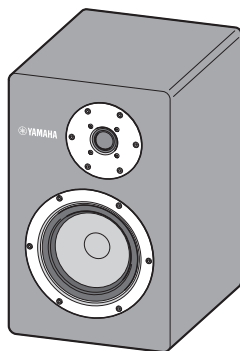
- Не крепите накладки с помощью клейкой или двухсторонней ленты. В противном случае покрытие с нижней стороны акустики или на поверхности размещения может отслоиться.

### **ПРИМЕЧАНИЕ**

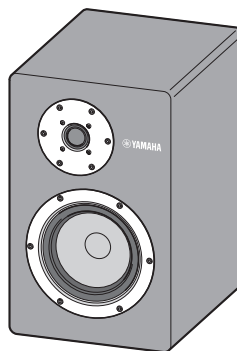
- Если используется дополнительная стойка для акустики Yamaha (SPS-3000), применение накладок не требуется.

# Расположение акустики

NS-3000 (L)

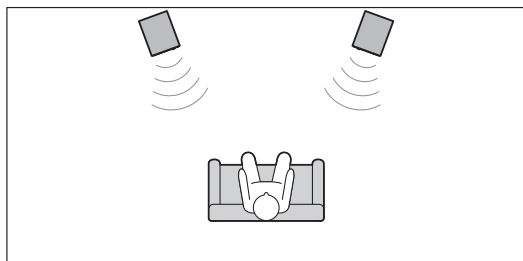


NS-3000 (R)



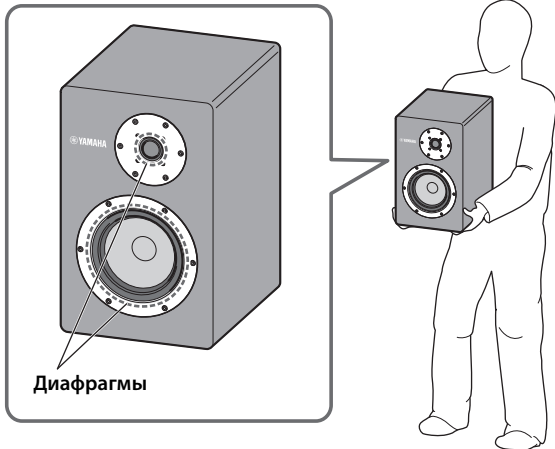
## ■ 2-х канальная стереоакустика

Чтобы добиться оптимального стереоэффекта, акустику располагают под небольшим углом к слушателю.



### **ПРИМЕЧАНИЕ**

- В помещениях необычной формы или при наличии препятствий эффективное воспроизведение стереозвука возможно посредством изменения положения и ориентации акустики соответствующим образом или посредством противоположного расположения левой и правой акустики.



**ВНИМАНИЕ**

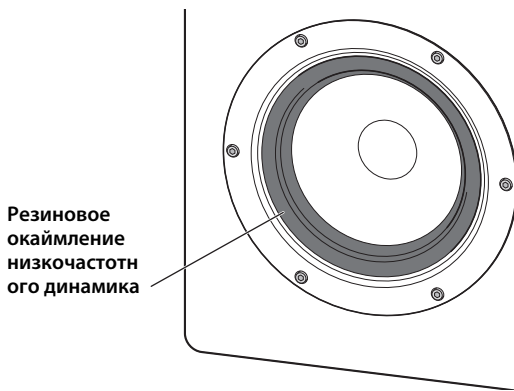
- Боковые поверхности с полированным покрытием являются очень гладкими, поэтому при переносе держите акустику сбоку и снизу.
- При размещении акустики на стойке и т.д. будьте осторожны, не прищемите руки или пальцы.

**УВЕДОМЛЕНИЕ**

- Не прикасайтесь к диафрагмам на передней стороне. В противном случае они могут быть повреждены.
- Данный аппарат оснащен немагнитным экраном. Размещение акустики слишком близко к телевизору с электронно-лучевой трубкой может привести к ухудшению качества изображения или привести к появлению жужжания. В этом случае отодвиньте акустику дальше от телевизора.

**ПРИМЕЧАНИЕ**

- Особый вид резины, используемый для окаймления низкочастотного динамика, был тщательно отобран для обеспечения наилучшего качества звучания. В редких случаях эта резина может становиться серовато-белого цвета. Не волнуйтесь, потому что это лишь результат проникновения компонента резины в поверхность, что не имеет отрицательного влияния на производительность.



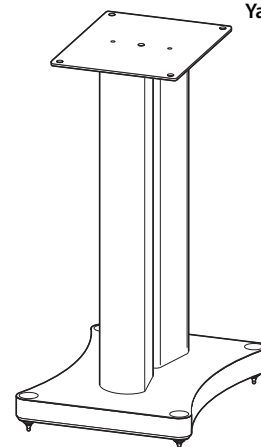
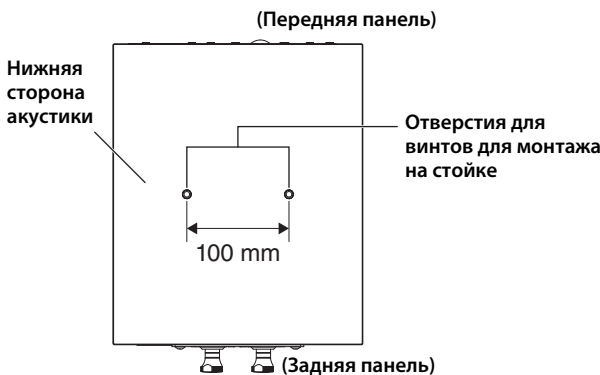
Русский

**Использование дополнительной стойки для акустики (SPS-3000)**

Для установки акустики на полу прикрепите их к стойке SPS-3000 с помощью отверстий с нижней стороны акустики.

Информацию об установке см. также в «Руководство пользователя SPS-3000».

Стойка для акустики Yamaha SPS-3000



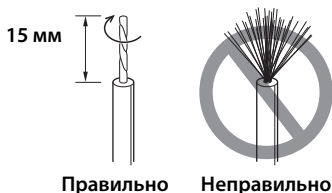
# Подключение акустики к усилителю

Перед выполнением соединений обязательно отключите усилитель.

## ■ Подключения

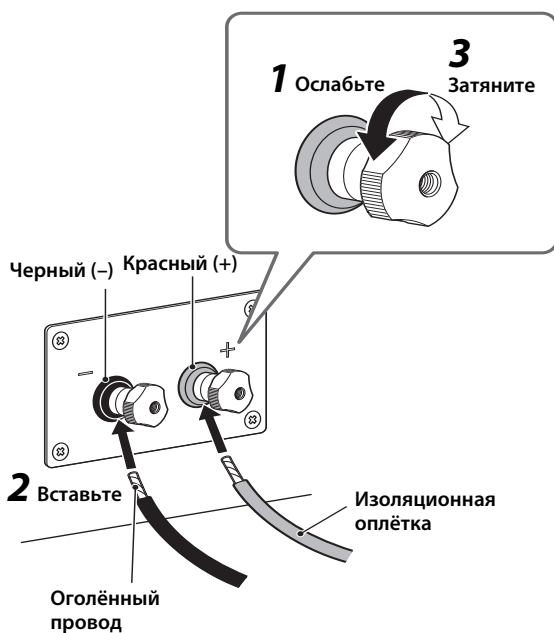
Вам необходим отдельно приобретаемый кабель динамика.

Размер и/или материал кабеля акустики отражается на качестве звучания. Поэтому, рекомендуется приобрести высококачественный кабель акустики для наилучшего срабатывания данного аппарата.



С конца каждого кабеля удалите 15 мм изоляции. Аккуратно и туго скрутите проводники кабеля вместе, как изображено на иллюстрации слева.

## ■ Как подключить кабели акустики



### 1 Ослабьте ручку разъема на задней панели аппарата.



#### **ВНИМАНИЕ**

- Когда ручка разъема полностью ослаблена, она отпадет. Храните снятые ручки в недоступном для маленьких детей месте, иначе они могут их случайно проглотить.

### 2 Вставьте оголенный провод в отверстие разъема.

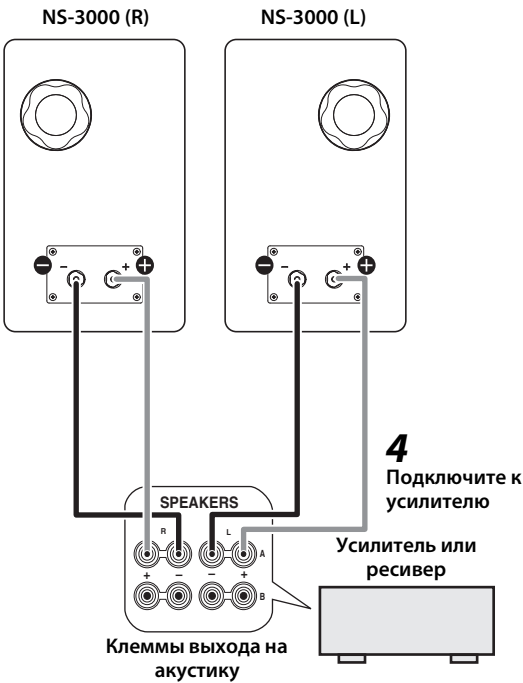
#### **ПРИМЕЧАНИЕ**

- Не вставляйте в отверстие участок с изоляционным покрытием. Звук может не воспроизводиться.

### 3 Затяните ручку разъема и зафиксируйте кабель.

Проверьте надежность соединения, слегка потянув за кабель в разъеме.





#### 4 Подсоедините кабели акустики к разъемам L (левый) и R (правый) на усилителе.

##### ПРИМЕЧАНИЕ

- Красный разъем на данном аппарате является положительным (+), а черный разъем - отрицательным (-).
- Если подключение акустики выполнено с обратной полярностью, звук будет неестественным и в нем будут отсутствовать низкие частоты.

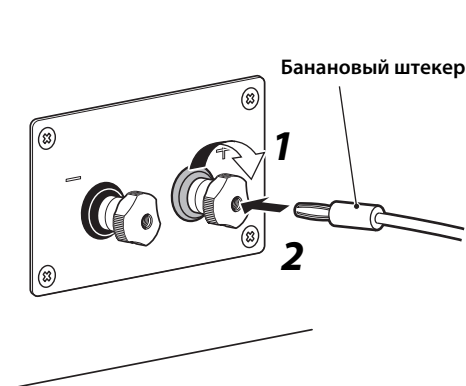
##### УВЕДОМЛЕНИЕ

- Будьте осторожны, не допускайте контакта оголенных проводов положительного (+) и отрицательного (-) кабелей акустики друг с другом или с металлическими деталями. В противном случае акустика может быть повреждена.
- Во избежание несчастных случаев в результате спотыкания о свободно лежащие кабели, прикрепите их к полу.
- Динамик может быть поврежден при продолжительном воспроизведении определенных звуков на высоком уровне громкости. Например, при продолжительном воспроизведении синусоидальных волн от тестового диска, низкочастотных сигналов от электронных инструментов и т.д., или при соприкосновении пера проигрывателя с поверхностью диска, убавьте уровень звука для предотвращения динамика от повреждения.

##### ПРИМЕЧАНИЕ

- При использовании усилителя с номинальной выходной мощностью выше номинальной мощности динамика, никогда не превышайте максимальный вход динамика.
- Посмотрите руководство пользователя, прилагаемое к усилителю или приёмнику.

#### ■ Использование кабелей с банановым штекером



**1** Затяните головку клеммы.

**2** Просто вставьте штекер с продольными подпружиненными контактами в клемму.

# Технические характеристики

<b>Тип</b> ..... Двухнаправленный полочный фазоинвертор Немагнитный тип защиты	<b>Номинальная входная мощность</b> ..... 60 Вт
<b>Головка</b> ..... НЧ-динамик: Конического типа диаметром 16 см ..... ВЧ-динамик: Купольного типа диаметром 3 см	<b>Максимальная входная мощность</b> ..... 120 Вт
<b>Номинальный импеданс</b> ..... 6 $\Omega$ (минимум 4,6 $\Omega$ )	<b>Чувствительность</b> ..... 87 дБ/2,83 В, 1 м
<b>Частотная характеристика</b> ... 39 Гц – 60 кГц (–10 дБ) – 100 кГц (–30 дБ)	<b>Частота разделения каналов</b> ..... 2,8 кГц
	<b>Габаритные размеры (Ш x В x Г)</b> ..... 244 × 394 × 326 мм
	<b>Масса</b> ..... 13,1 кг

- \* В содержании данного руководства приведены последние на момент публикации технические характеристики. Для получения последней версии руководства посетите веб-сайт корпорации Yamaha и загрузите файл с руководством.
- \* Не превышайте указанные выше значения входной мощности.

# 注意事项

请在使用前,仔细阅读下述内容。请务必按照这些指示操作。

下列注意事项能够防止给用户和其他事物造成伤害的风险以及防止财产损失,并为用户合理、安全地使用本产品提供帮助。请务必按照这些指示操作。

阅读完本手册后,请将本手册放置在安全的位置以便您日后参考。

- 请务必向您购买本产品的经销商或具有资质的 Yamaha 服务人员要求检测或维修。
- 对由于不正当使用、擅自改造本产品所造成的人身伤害或产品损坏, Yamaha 不负任何责任。
- 本产品适用于普通家庭。请勿用于需要高可靠性的应用,例如管理生命、医疗保健或高价值资产。



本内容表示“有重伤或死亡的风险”。

## 当意识到任何异常情况时

- 当出现以下任何一种异常时,请立即关闭放大器和接收器。
  - 本产品发出异味、异响或烟雾。
  - 异物或水渍进入本产品。
  - 使用过程中声音中断。
  - 产品出现裂缝或损坏。

继续使用可能造成触电、火灾或故障。请立即向您购买本产品的经销商或具有资质的 Yamaha 服务人员要求检测或维修。

## 安装

- 按照手册中指示的方式安装。跌落或倾倒可能导致伤害或损坏。
- 确认已完成的安装是安全可靠的。另外,定期进行安全检查。否则可能会导致设备坠落并造成人身伤害。
- 应始终将音箱线缆固定到墙壁或类似位置。如果您的手或脚被线缆缠住,音箱可能会跌落或翻滚,从而导致故障或造成人身伤害。

## 请勿拆卸

- 请勿拆卸或改装本产品。否则可能造成火灾、触电、受伤或故障。

## 防水警告

- 不要让本产品暴露在雨中、在水附近或潮湿的环境中,不要把任何盛装液体的容器(如花瓶、瓶子或玻璃杯)放在本产品上面,因为容器开口处可能会溢水或滴水。液体(例如,水)进入设备可能会引起火灾、触电或故障。

## 防火警告

- 请勿让任何燃烧物或明火靠近本产品,否则可能造成火灾。



本内容表示“有受伤的风险”。

## 安装

- 请勿将本产品放在不稳定的地方,否则可能导致突然掉落或翻倒并造成人身伤害。
- 请勿采用不同于上述说明的方式安装本产品。否则可能会导致产品故障或产品发生坠落并造成人身伤害。
- 请勿将产品安装在可能接触腐蚀性气体或含盐份空气、以及含有过量烟雾或蒸汽的场所。否则可能导致故障。
- 地震等自然灾害发生时请勿靠近本产品。由于产品可能翻倒或坠落造成人身伤害,请尽快远离产品并转移到安全地带。
- 移动本产品前,请务必断开所有连接线。否则可能损坏线缆或造成您或他人绊倒和跌倒。

## 听力损伤

- 请勿长时间持续在很高或不舒服的音量水平使用本产品,否则可能会造成永久性听力损害。若发生任何听力损害或耳鸣,请尽快就医。
- 将本产品连接到其它设备之前,请关闭所有设备的电源开关。否则可能造成听力损伤、触电或设备受损。

## 小心操作

- 请勿将您的手或手指插入本产品的低音反射端口(后侧插孔)。否则可能造成受伤。
- 请勿将金属、纸等异物插入本产品的低音反射端口(后侧插孔)。否则可能造成火灾、触电或故障。如果有异物进入本产品,请立即关闭所有放大器和接收器,并向您购买本产品的经销商或合格的 Yamaha 服务人员要求检测产品。
- 请将小零件置于婴儿无法触及之处。否则可能会发生误食。
- 请勿执行以下操作:
  - 站立或坐在设备上。
  - 将重物置于设备顶上。
  - 堆放设备。
  - 对按钮、开关、输入/输出端子等施加不合理外力。
  - 倚靠设备。未能遵守这些说明可能会造成人身伤害或设备损坏。
- 避免拉拽已连接的线缆以保护人员因产品掉落而受伤或产品损坏。
- 如果声音失真,请勿操作本产品。在该状态下继续长时间使用可能会造成过热并导致火灾。
- 在选择与本产品搭配使用的放大器或接收器时,请检查放大器或接收器的输出水平是否在本产品允许的输入水平范围内(请参阅第 50 页)。若输出功率高于额定功率,可能引发故障或火灾。

# 须知

表示为防止产品失效、损坏或故障以及数据丢失必须遵守的要点。

## 安装

- 请勿在阳光直射的地方使用本产品，例如在加热器附近会使产品变得非常热，或是变得非常冷，或使产品受到过多的灰尘或震动。否则会造成产品面板变形，内部元件故障，或使操作变得不稳定。

## 连接

- 如果连接外部产品，请务必彻底阅读每个产品的使用说明书，并按照指示进行连接。  
如果没有根据指示正确地操作产品将造成故障。

## 操作处理

- 请勿将乙烯、塑料或橡胶物品放在本产品上。否则可能会造成本产品面板的变色或变形。

## 维护保养

- 如果温度或湿度急剧变化，设备表面可能形成水滴（冷凝）。如果设备表面有水滴形成，应立即用柔软的干布将其擦除。如果任由水滴留在设备上，可能会被木质部件吸收，从而导致变形。
- 清洁设备时，请使用柔软的干布。使用汽油或稀释剂、清洗剂、化学洗涤剂布等化学药品会造成变色或变形。

## 音箱

- 请勿触摸膜片。否则可能会损坏膜片。

本机的扬声器使用磁体。请勿将磁性物品（如CRT型电视机、时钟、信用卡、软盘等）放在本机上或本机附近。

# 信息

## 关于本产品中包含的功能

- 空气可能会从低音反射端口吹出。这不是故障。当输出重低音音乐时，这种情况经常发生。

## 关于本手册中的内容

- 本手册适用此本产品的用户。
- 本手册使用以下符号表示重要信息：



**警告**

本内容表示“有重伤或死亡的风险”。



**注意**

本内容表示“有受伤的风险”。

## 须知

表示为防止产品失效、损坏或故障和数据丢失，以及保护环境必须遵守的要点。

## 注

表示说明注释、功能限制和其他实用信息。

- 本书中出现的插图和画面仅供说明用途。
- 本使用说明书中所使用的公司名和产品名都是各自公司的商标或注册商标。

## 保护环境

如果需要废弃设备时，请与本地相关机构联系，获取正确的废弃方法。请勿将设备随意丢弃或作为生活垃圾处理。

本产品的型号、序列号、电源要求等规格可能标在铭牌上或铭牌附近，铭牌位于本机底部。请将该序列号填写到下方的横线上，并妥善保存本说明书，以便在产品被盗时作为永久购买凭证使用。

型号名称

序列号

## 产品中有害物质的名称及含量

部件名称	有害物质					
	铅 (Pb)	汞 (Hg)	镉 (Cd)	六价铬 (Cr(VI))	多溴联苯 (PBB)	多溴二苯醚 (PBDE)
外壳箱体	×	○	○	○	○	○
扬声器单元	×	○	○	○	○	○

本表格依据 SJ/T 11364 的规定编制。

○：表示该有毒有害物质在该部件所有均质材料中的含量均在 GB/T 26572 标准规定的限量要求以下。

×：表示该有毒有害物质至少在该部件的某一均质材料中的含量超出 GB/T 26572标准规定的限量要求。



此标识适用于在中华人民共和国销售的电子信息产品。  
标识中间的数字为环保使用期限的年数。

# 目录

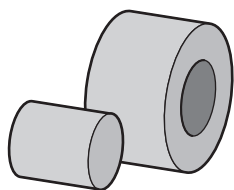
注意事项 .....	43	放置扬声器 .....	46
特点 .....	45	连接放大器 .....	48
出音孔塞子 .....	45	规格 .....	50
配件 .....	46		

## 特点

NS-3000 是专为一生与音乐相伴，并竭力寻求完美音质的高保真爱好者开发的音箱。本产品的表面全部实现钢琴级镜面抛光，并采用与 Yamaha 三角钢琴相同的喷漆和抛光工艺。

- 16 cm 2 向书架式音箱
- ZYLON™ 振膜  
(ZYLON™ 是 Toyobo Co.,Ltd. 的商标。)
- 吸声器
- R.S. 音箱（共振抑制音箱）
- Twisted Flare Port（扭曲喇叭出音孔）

### 出音孔塞子



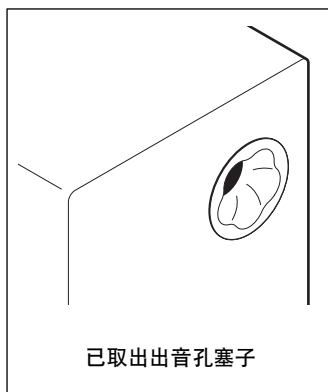
为了调整声音的低频范围，该音箱（后方扭曲喇叭出音孔内）配备了出音孔塞子（吸声材料）。

根据音箱的安装位置和其与墙壁的距离，如果需要调节低频范围的声音则可以插入或去除出音孔塞子。

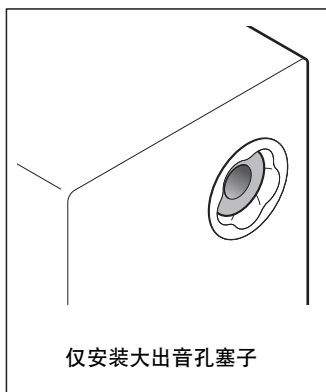
利用两个零件（大塞子和小塞子），可在两个等级间调整声音。

**抑制低频范围内的声音** ☞ 插入出音孔塞子。

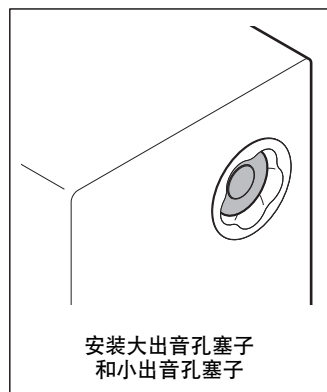
**使用厂商建议** ☞ 使用音箱时取出音孔塞子。



已取出出音孔塞子



仅安装大出音孔塞子



安装大出音孔塞子  
和小出音孔塞子

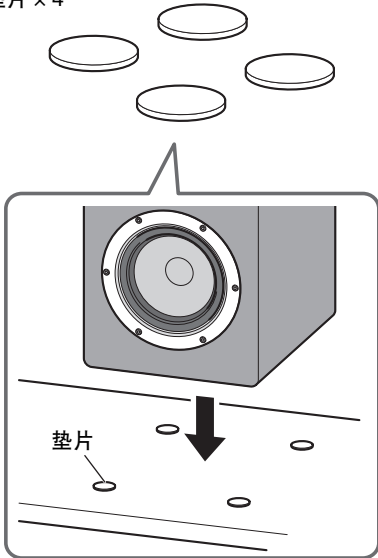
#### 须知

- 将出音孔塞子插入音箱时不要太往里推入。否则出音孔塞子可能会掉入音箱内。
- 如果无法取出出音孔塞子或者其掉入音箱内，请联系您最近的 Yamaha 授权商或服务中心。

# 配件

请确保所有配件已包含在内。

垫片 × 4



## ■ 垫片使用说明



### 注意

- 确保音箱不会滑动。否则，可能会导致设备坠落并可能造成伤害。

所包含的垫片用于保护音箱的底部和放置音箱的表面。

直接将音箱放置于地面或架子上时，请务必在音箱底部（4个角）和放置表面之间使用垫片（如图所示）。

### 须知

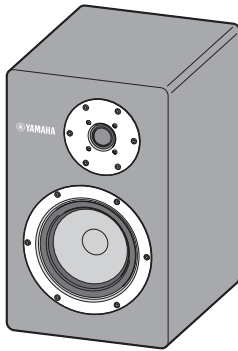
- 请勿使用胶布或双面胶粘贴垫片。否则，音箱底部或放置表面的抛光可能会剥落。

### 注

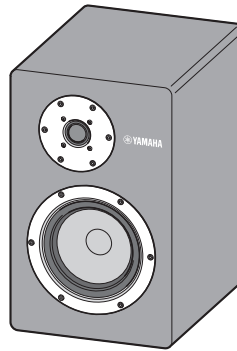
- 如果使用了可选购的 Yamaha 音响架（SPS-3000），则无需使用垫片。

# 放置扬声器

NS-3000 (L)

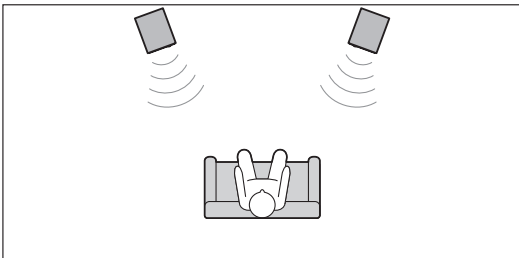


NS-3000 (R)



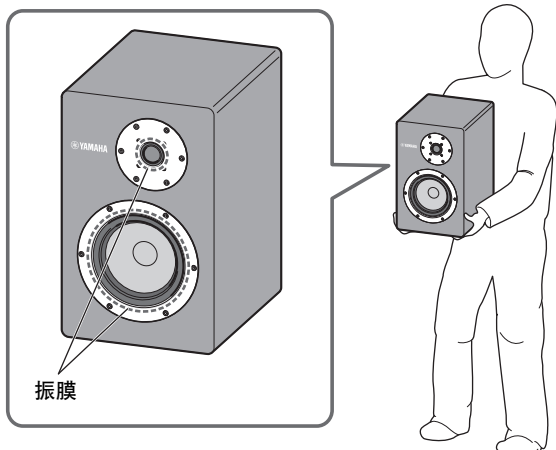
## ■ 用作双声道立体声扬声器

扬声器成一定角度朝向听众时可获得更好的立体声效果。



### 注

- 在不规则形状或包含障碍物的房间内，可以根据需要通过变换音箱的位置和方向或调换左右音箱的位置来获得有效的立体声播放效果。

**注意**

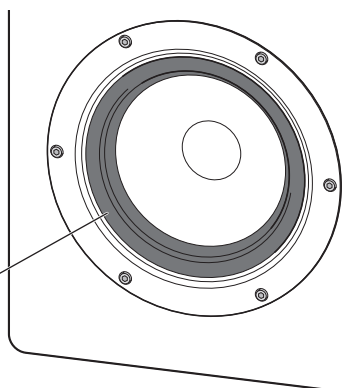
- 由于音箱经过抛光处理的一面非常光滑，请从两面和底部扶住音箱来进行移动。
- 将音箱放置于音响架上时，请注意不要夹到手或手指。

**须知**

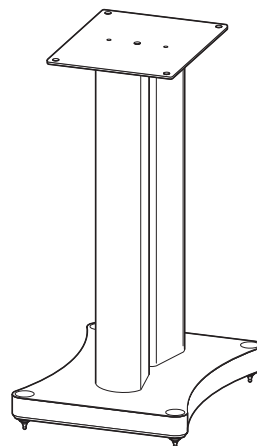
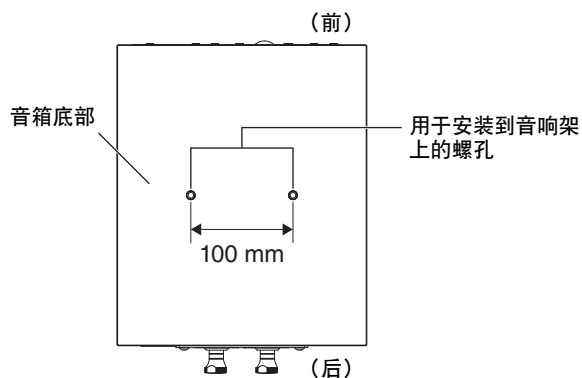
- 请勿触摸振膜的前部。否则可能会造成膜片受损。
- 本产品为非防磁设计。将扬声器放置在距离 CRT 电视过近的地方，会影响图像的色彩或发出嗡嗡声。发生此类情况时，请将扬声器移到远离电视机的地方。

**注**

- 低音单元周围所用的特殊类型的橡胶经过仔细挑选，有助于获得最佳的声音品质。极少情况下，橡胶会变为米白色。不要担心这种变白，因为它只是一个嵌入箱体的橡胶组件，不会对性能造成负面影响。

低音单元  
橡胶包围**在使用可选购的 Yamaha 音响架 (SPS-3000) 时**

要使用落地音箱，请通过音箱底部的孔将其安装到 SPS-3000 上。  
如需了解安装步骤，还可以参阅“SPS-3000 使用手册”。

Yamaha 音响架  
SPS-3000

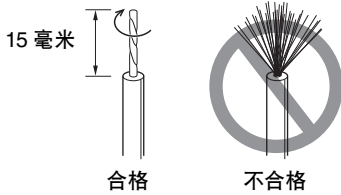
# 连接放大器

进行连接前必须关闭放大器。

## ■ 连接

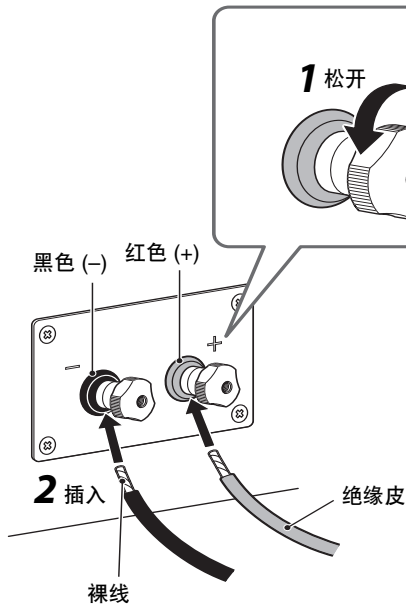
您需要市面出售的音箱缆线。

音箱缆线的尺寸和 / 或材料影响音响的质量。所以，我们建议您购买高质量的音箱缆线以充分发挥本机的效能。



从连线每一端的绝缘部分剥去 15 毫米，将裸线盘紧，如左图所示。

## ■ 如何连接扬声器连线



### 1 松开本产品后面板上的端子旋钮。



#### 注意

- 端子旋钮会在完全拧开时掉下来。请将拧下来的旋钮置于婴儿无法触及之处，防止意外吞食。

### 2 将裸线插入端子孔。

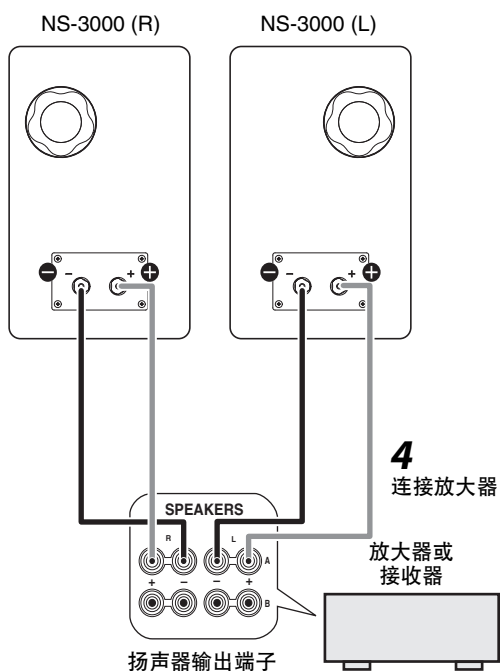
#### 注

- 请勿将绝缘皮插入孔中。这样可能导致音箱无法发声。

### 3 拧紧端子旋钮并固定连线。

轻拉端子上的线缆，检查连接是否牢固。





#### 4 将音箱线缆连接至扩音器上的 L (左) 和 R (右) 端子。

##### 注

- 本产品的红色端子是正极 (+)，黑色端子是负极 (-)。
- 如果一个音箱连接的两极相反，则声音会发生异常并且缺少低频。

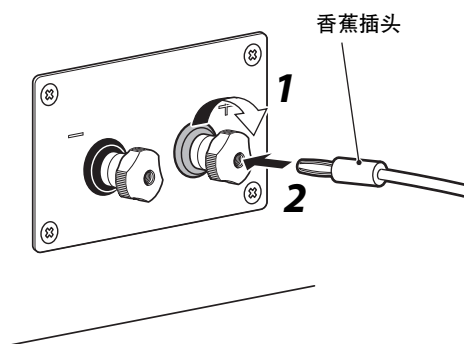
##### 须知

- 请注意不要使音箱线缆的正极 (+) 和负极 (-) 裸线互相接触或与其他金属部件接触。否则，音箱可能会受损。
- 为避免因松散的音箱线缆绊倒人员而发生事故，请将其固定到地面。
- 当使用额定输出功率大于扬声器的额定输入功率的放大器时，应注意绝对不要超过扬声器的最大输入功率。
- 如果某些声音以高音量持续输出，可能会损坏扬声器。例如，如果试碟产生正弦波，电子设备持续输出低音或电唱盘的唱针接触到唱片表面时，请降低音量，以防止扬声器损坏。

##### 注

- 当使用额定输出功率大于扬声器的额定输入功率的放大器时，应注意绝对不要超过扬声器的最大输入功率。
- 请参见放大器或接收机附带的使用说明书。

### ■ 使用香蕉插头时



1 拧紧端子旋钮。

2 只需将香蕉插头插入端子。

# 规格

类型.....	双向架子低音反射类型 非防磁类型	额定输入功率.....	60 W
驱动器.....	低音扬声器 : 16 厘米锥形类型 高音扬声器 : 3 厘米圆顶类型	最大输入功率.....	120 W
阻抗.....	6 $\Omega$ (最低 4.6 $\Omega$ )	灵敏度.....	87 dB/2.83 V, 1 m
频率响应.....	39 Hz – 60 kHz (-10 dB) – 100 kHz (-30 dB)	交换频率.....	2.8 kHz
		尺寸 (宽 × 高 × 长).....	244 × 394 × 326 毫米
		重量.....	13.1 公斤

- \* 本使用说明书的内容为出版时最新的技术规格。请至 Yamaha 网站下载最新版本的使用说明书。
- \* 请注意输入功率不可超过上述规格。

为便于您理解使用说明书的内容，本公司已经依据国家的相关标准尽可能的将其中的英文表述部分翻译成中文。但是，由于专业性、通用性及特殊性，仍有部分内容仅以原文形式予以记载。  
如您有任何问题，烦请随时与本公司联系。



## 雅马哈乐器音响（中国）投资有限公司

上海市静安区新闸路 1818 号云和大厦 2 楼

客户服务热线 :400-051-7700

公司网址 : <https://www.yamaha.com.cn>

制造商 : 雅马哈株式会社

制造商地址 : 日本静冈县滨松市中区中泽町 10-1

进口商 : 雅马哈乐器音响（中国）投资有限公司

进口商地址 : 上海市静安区新闸路 1818 号云和大厦 2 楼

原产地 : 印度尼西亚

YAMAHA CORPORATION

10-1 Nakazawa-cho, Naka-ku, Hamamatsu, 430-8650 Japan

Yamaha Global Site  
<https://www.yamaha.com/>

Yamaha Downloads  
<https://download.yamaha.com/>

Manual Development Group  
© 2020 Yamaha Corporation  
Published 02/2021  
2021 年 2 月 发行  
IPEI-B0

VFA6720