

CINEMA REFERENCE SURROUND 2



CINEMA REFERENCE SURROUND 2

Triad's Cinema Reference Surround 2 speakers are engineered to surpass the sound of modern, commercial cinemas—delivering a Hollywood experience with authority, detailed audio, and life-like precision. Constructed for high-SPL systems, including all 3-dimensional sound formats, these premium surround speakers deliver strikingly high sensitivity and high-power sound reproduction with a unique unipole design that projects an enveloping soundstage, balanced output, and smooth transitions. In an industry of generic, mass-produced products, Triad combines craftsmanship and customization in every order. Handcrafted in the US using the finest materials and components, Triad's fully engineered, sealed, and internally braced MDF enclosures deliver intricate acoustics and effortless playback, achieving unobtrusive elegance while retaining the integrity of sound. Complete the full home theater experience by pairing with Triad's LCR, satellite, and subwoofer speakers.

Triad's Cinema Reference Surrounds bring an extravagant cinematic experience to your theater and unparalleled, precise acoustic quality, transforming standard audio into the ultimate sound experience.

FEATURES

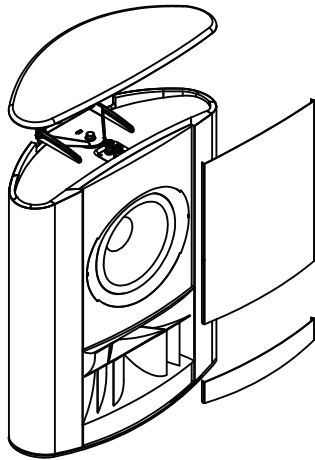
- Very high SPLs
- Audiophile sound
- Designed for large rooms
- Unipole design
- Designed to fit behind acoustically transparent film screens
- Wall-mount bracket included

ENCLOSURE

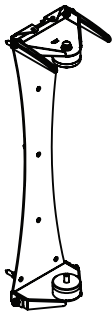
- Acoustic suspension with Diffraction Control Technology (DCT)[™]
- Fully engineered premium MDF enclosure
- AcustiPerf metal grill

CINEMA REFERENCE SURROUND ON-WALL 2

SPECIFICATIONS



Side



Bracket

MATERIALS

Tweeter count	1
Tweeter size	4 3/4" (12.5 cm)
Tweeter type	Folded ribbon (with Triad wave guide)
Woofer count	1
Woofer size	10" (25 cm)
Woofer type	Paper/fiber blend

PERFORMANCE

Recommended amplifier power	100-400W
Impedance	4 ohm
Sensitivity (dB @ 1W/1 m)	94 dB
Peak output (measured, 1 m)	120
Frequency response (+/- 3 dB)	80 Hz - 20 kHz

DIMENSIONS

Cabinet specifications (H x W x D)	27 5/8" x 22 1/16" x 9" (69.5 x 56 x 22.8 cm)
Product weight (each)	55 lb (25 kg)
Shipping weight (each)	65 lb (29.5 kg)

PRODUCT NUMBERS

Painted finish (with wall bracket)	91008-1002-1
Veneer finish (with wall bracket)	91008-6002-1

Product page



triadspkrs.co/crsurr

DIMENSIONS

