

LYNGDORF AUDIO LS-1000
LS-1000 Left, LS-1000 Right, LS-1000 Center

INSTALLATION MANUAL

TABLE OF CONTENTS

COMPLIANCE..... 3

PRE-INSTALLATION 4

SPEAKER INSTALLATION..... 7

4 X LS-1000 LEFT/RIGHT CUT-OUT DIMENSIONS 10

4 X LS-1000 CENTER CUT-OUT DIMENSIONS..... 11

TECHNICAL SPECIFICATIONS 13

SERVICE INFORMATION 14

COMPLIANCE

WEEE

The European Parliament and the Council of the European Union have issued the Waste Electrical and Electronic Equipment Directive. The purpose of the Directive is to prevent waste of electrical and electronic equipment and to promote reuse, recycling, and other forms of waste recovery. Steinway Lyngdorf products and the accessories packed with them are subject to the WEEE Directive. Please dispose of any waste materials in accordance with your local recycling regulations. Products and equipment which must be collected for reuse, recycling, and other forms of recovery are marked with the icon of the crossed-out waste receptacle.



FCC

Steinway Lyngdorf products and accessories comply with parts 15 and 68 of the FCC rules. Operation is subject to the following two conditions: (1) this device may not cause harmful interference; and (2) this device must accept any interference received, including any interference that may cause undesired operation. Changes or modifications not expressly approved by the party responsible for compliance could void the user's authority to operate the equipment. Equipment marketed to a consumer must be capable of complying with the necessary regulations in the configuration in which the equipment is marketed.

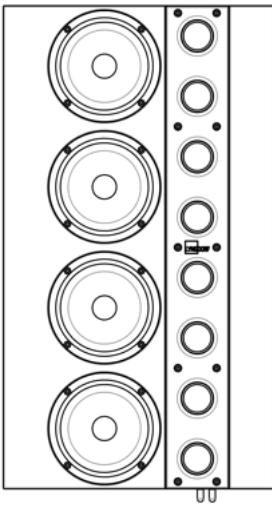


PRE-INSTALLATION

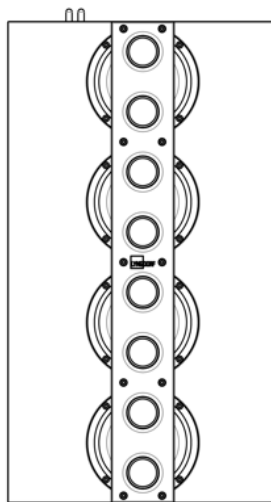
Unpacking the Model LS-1000 Left/Center/Right

Carefully remove the loudspeaker units and accessories from the carton and check for shipping damage. Contact both the shipper and your local Lyngdorf Audio representative immediately if the unit bears any sign of damage from mishandling. In some cases, it may be necessary to return the equipment to Lyngdorf Audio or an authorized service provider for repair; therefore, it is recommended that you save your original packing materials. If this unit is shipped without the original packing, damage could occur and void the warranty.

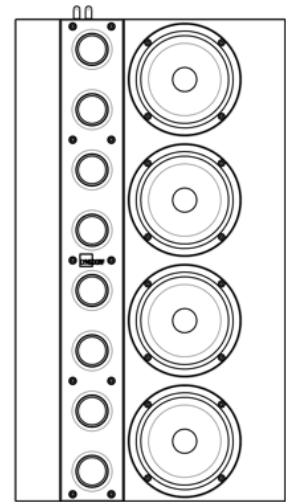
LS-1000 Left



LS-1000 Center



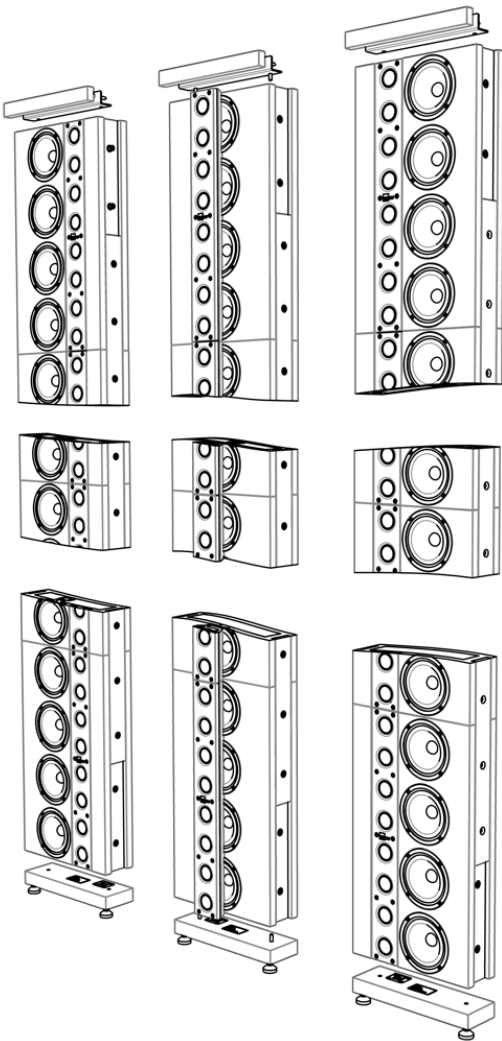
LS-1000 Right



Inventory

Check to ensure that all necessary product components have been delivered. Report all discrepancies to your local Lyngdorf Audio representative immediately.

- Lyngdorf LS-1000 Left, or Lyngdorf LS-1000 Center, or Lyngdorf LS-1000 Right
- Side brackets for securing the individual speaker units to each other (attached to each side prior to shipping)
- Top brackets for securing the top of each speaker stack
- Base mounting kit for each speaker stack (different versions for either Left or Center+Right LS-1000)
- Mounting screws for top, base, and side brackets



Prepare the Wall for the Speaker Stacks

For proper mounting of a Lyngdorf LS-1000 Left, Center or Right loudspeaker stack, a rectangular cutout with the following dimensions must be made in the wall:

Required space for Lyngdorf LS-1000 Left/Right

The minimum space required including top and base brackets bracket are:

Speaker	Depth	Height	Width
LS-1000 Left/Right	95 mm / 3.7 in	585 mm / 23 in	290 mm / 11.4 in
each additional LS-1000 Left/Right	95 mm / 3.7 in	500 mm / 19.7 in	290 mm / 11.4 in
4 x LS-1000 Left/Right	95 mm / 3.7 in	2085 mm / 85 in	290 mm / 11.4 in

Required space for Lyngdorf LS-1000 Center

The minimum space required including top and base brackets bracket are:

Speaker	Depth	Height	Width
LS-1000 Center	142 mm / 5.6 in	585 mm / 23 in	290 mm / 11.4 in
each additional LS-1000 Center	142 mm / 5.6 in	500 mm / 19.7 in	290 mm / 11.4 in
4 x LS-1000 Center	142 mm / 5.6 in	2085 mm / 85 in	290 mm / 11.4 in

Cables

Recommended minimum up to 16m / 50ft: AWG 14/2 or 2-lead 2mm²

Recommended minimum from 16m / 50ft and up: AWG 12/2 or 2-lead 3.5mm²

Recommended maximum: Double AWG 10/2 or 2-lead 5mm²

Allow min. 50cm longer cable for connecting the cable to the speaker binding posts before the speaker is placed inside the wall or ceiling.

Arranging the speaker units

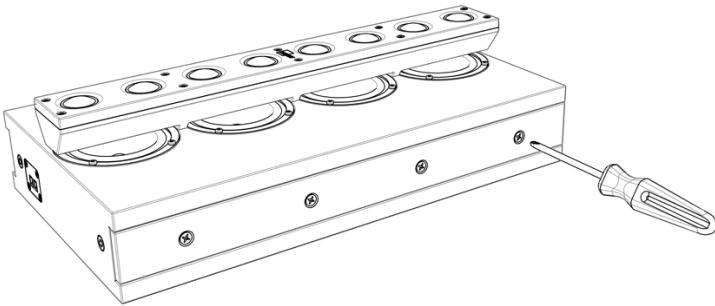
Arrange the individual LS-1000 units on the floor, ready to combine them as a stack. For each loudspeaker stack, place the loudspeakers with the back side down on the floor, preferably close to the wall cutout in which the stack is to be mounted. Make sure that the floor is covered with fabric – such as carpeting - to avoid scratching the loudspeakers.

SPEAKER INSTALLATION

Place the loudspeakers in order, with the bottom loudspeaker in the stack closest to the bottom edge of the wall cutout in which the stack is to be mounted. This facilitates easy mounting when connections are complete, as the stack can be tilted directly into place.

Remove the Side Brackets from Each Speaker Unit

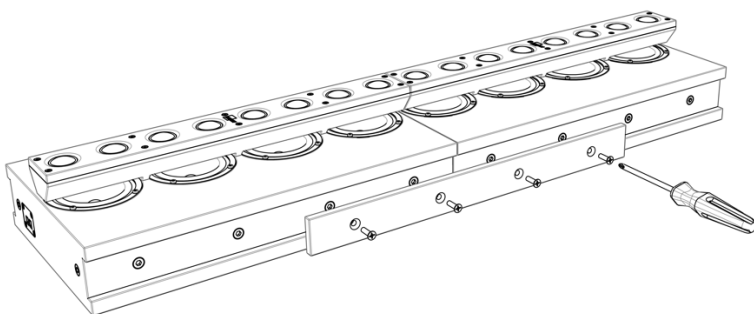
All Lyngdorf LS-1000 loudspeaker units are equipped with POM thermoplastic side brackets from the factory. When these brackets are mounted correctly on the left, right, and rear sides of the units, they align and secure the individual units in a stack to each other. Using a torx 30 type screwdriver, remove the screws securing the brackets to the loudspeakers, keeping the brackets and screws close at hand.



Mount the Side Brackets on Each Stack

Using the screws you have just removed from the side brackets, secure the side brackets to the stack as shown. The bracket must bridge two loudspeakers in such a way that the bracket can be affixed to each loudspeaker with two screws.

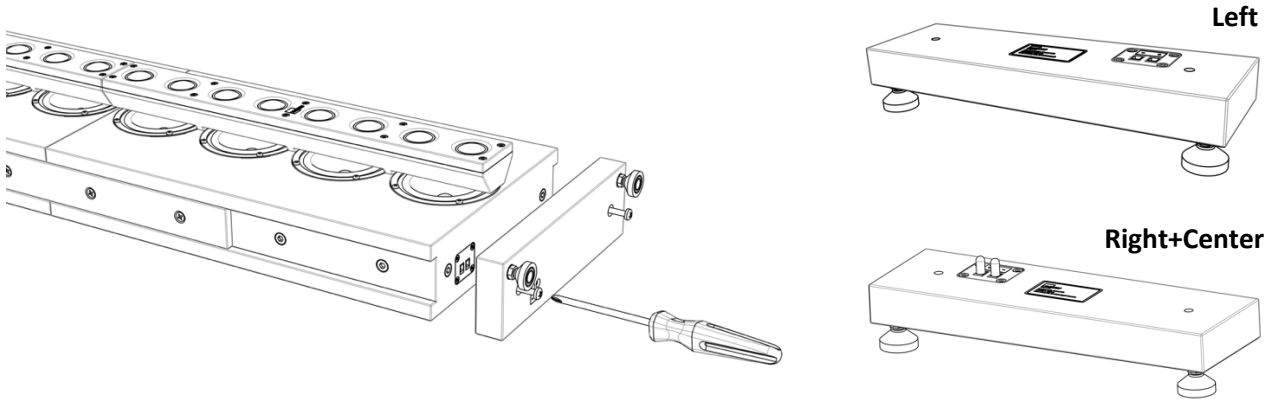
First, insert the screws into all four holes and tighten them by hand until the head of each screw protrudes 1-2 mm, then tighten the screws with a torx 30 screwdriver. If you mount the bracket one screw at a time, there is a risk that the last screw will not be fully aligned with the hole. Tightening the last screw can then result in the screw thread being stripped, rendering the screw useless and resulting in an unstable loudspeaker stack.



Mount the Brackets for the Top and Bottom Loudspeakers

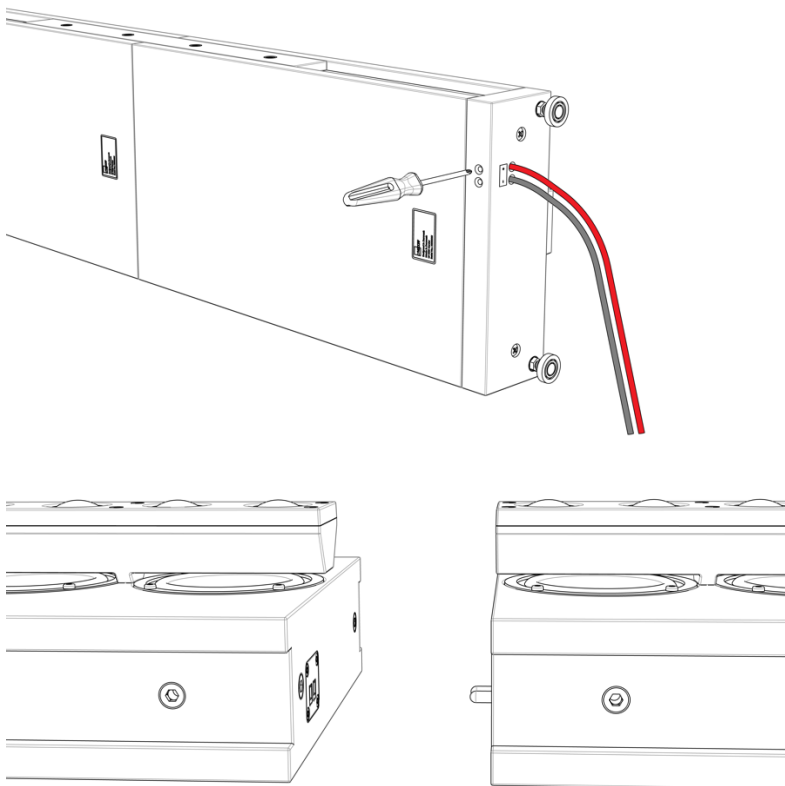
Using a torx 30 screwdriver and the supplied black M6x30 screws, secure the dedicated top and bottom brackets to the loudspeakers in their respective stacks as shown.

Note: Start with the correct LS-1000 base labelled for either Left or Right+Center.



Connect the Loudspeaker Cables

Connect and tighten the speaker cables with a small, slotted screwdriver to the base plate of the first LS-1000 speaker. Make sure the cable ends are securely tightened and no bare wire is standing out. Other LS-1000 elements will connect through the plug-in terminals.

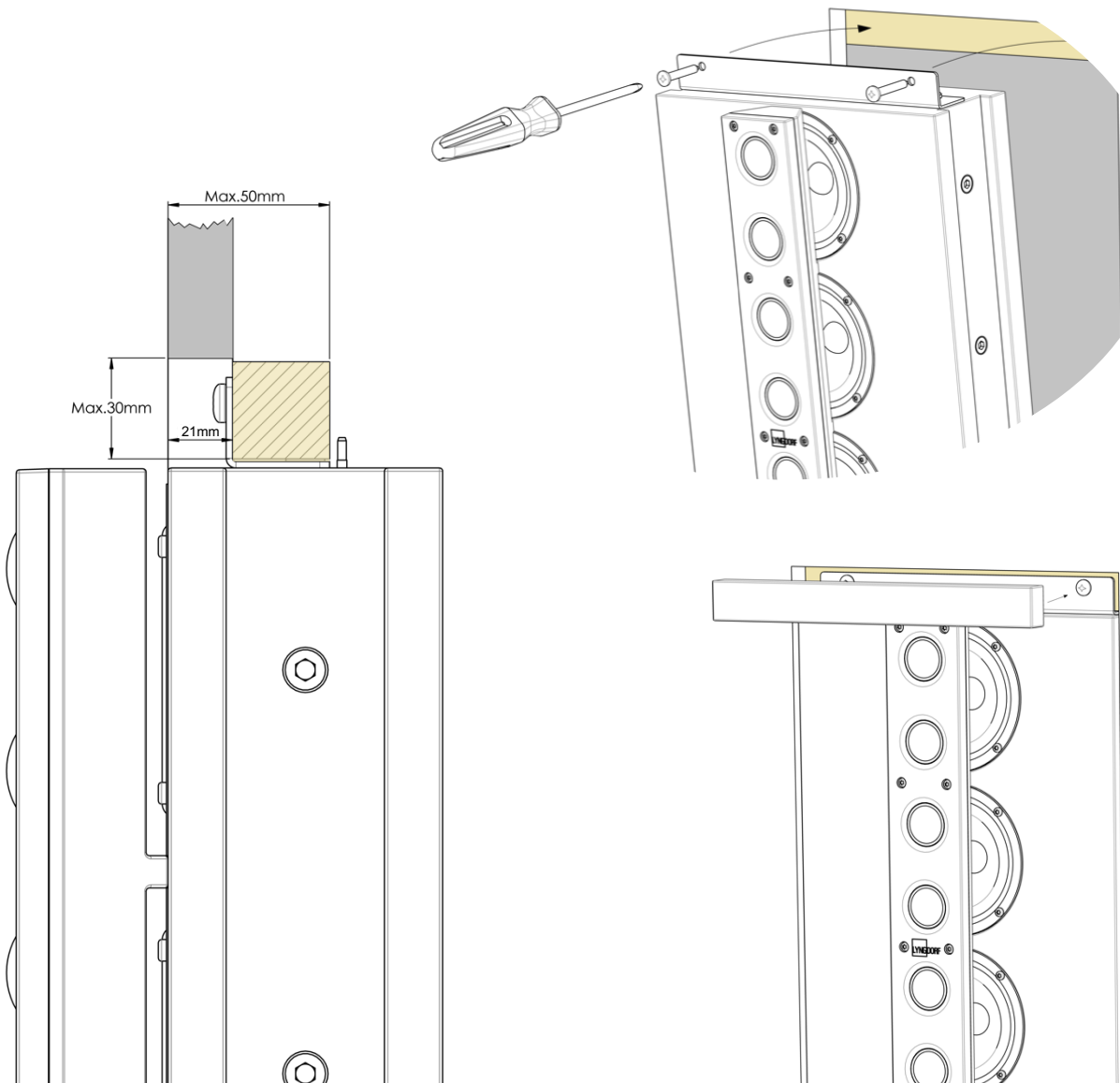


Mount the Wall Bracket

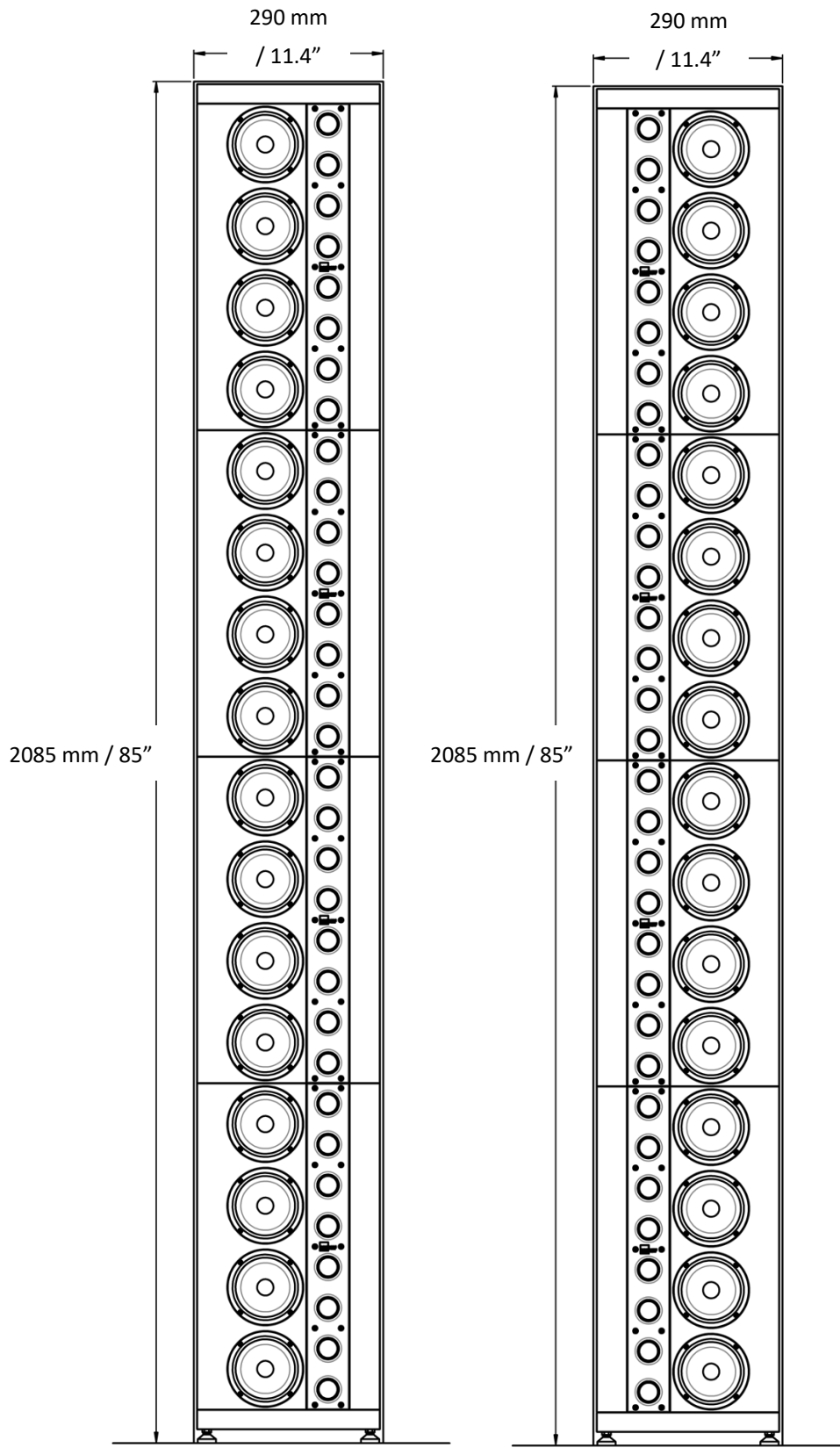
Mount the top bracket to the top loudspeaker using a torx 30 screwdriver and the supplied black M6x16 screws. Align the speaker stack with the wall opening and ensure the stack stands leveled and steady by adjusting the base feet.

Mount the top wall bracket to the top beam of the wall cutout, using a torx 30 screwdriver and the supplied C6x30 screws. Note that the purpose of the top wall bracket is to stabilize the stack at the beam, and not to bear its weight. The loudspeaker stack and its base bracket must stand firmly on the ground. Cover the bracket as shown.

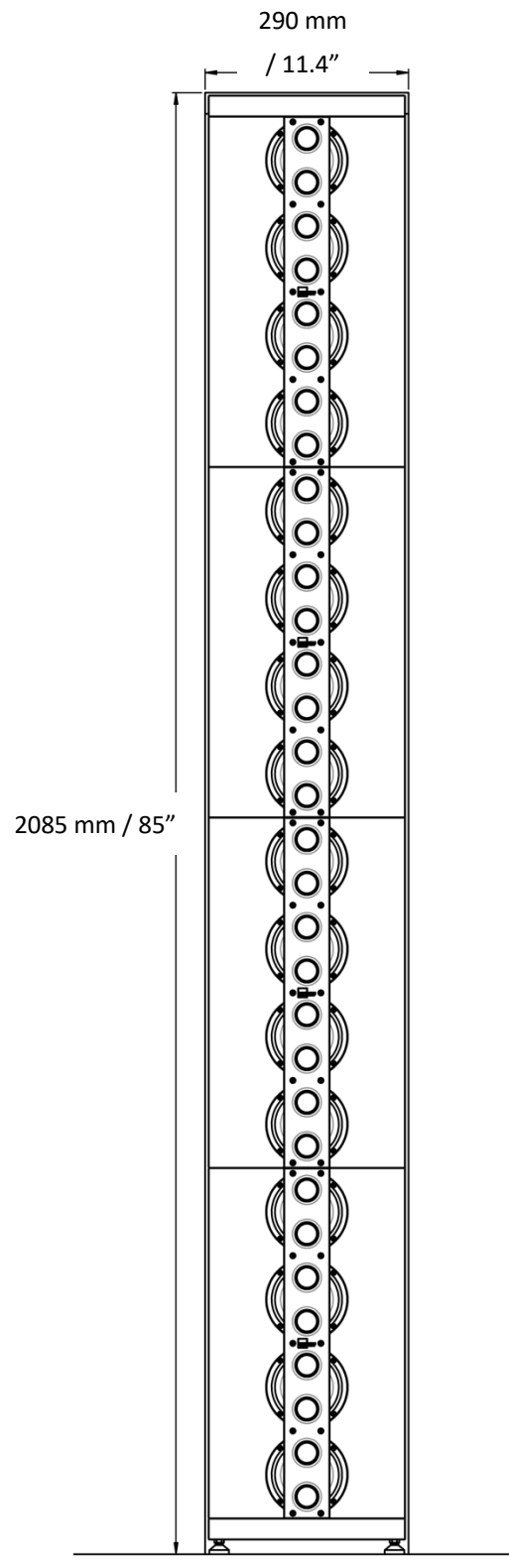
⚠ NOTE! For your own safety, do not attempt to raise the stack by yourself. There should be one person involved in lifting a loudspeaker stack for every two loudspeaker units in the stack; so a stack of 4 x LS-1000 loudspeaker units requires at least two people to lift.



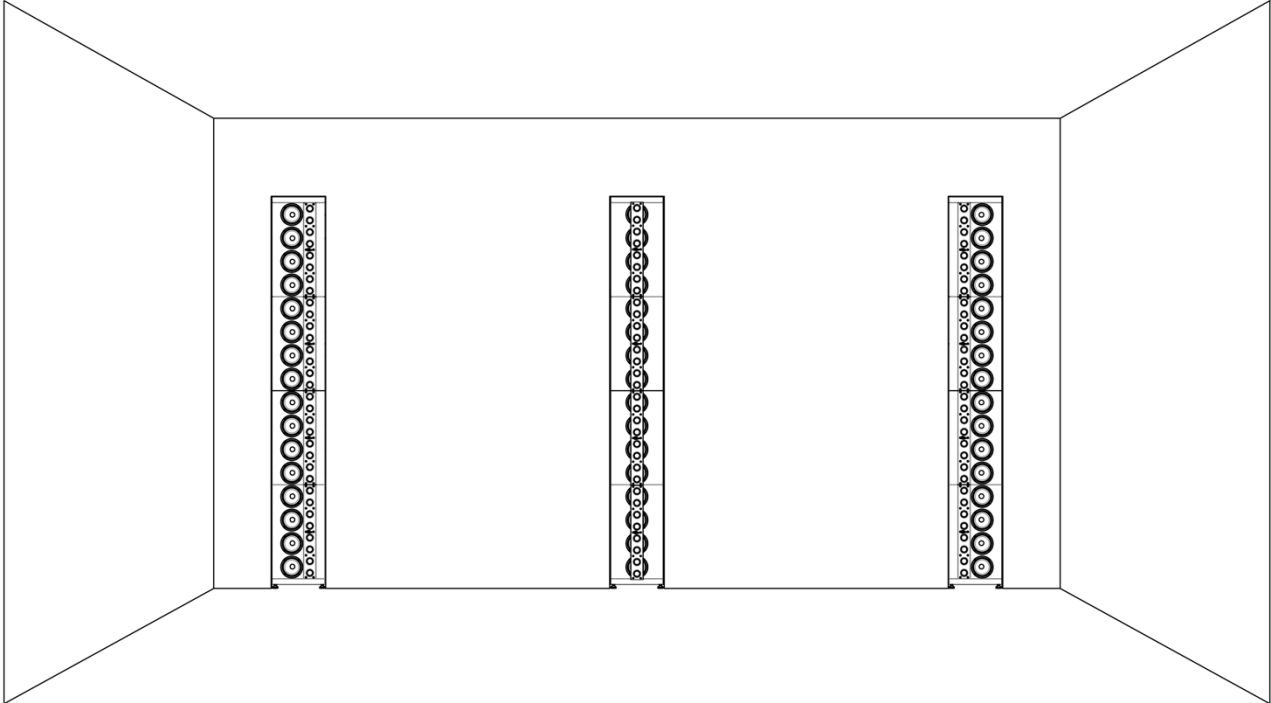
4 X LS-1000 LEFT/RIGHT CUT-OUT DIMENSIONS



4 X LS-1000 CENTER CUT-OUT DIMENSIONS



Example of finished LS speaker system with 4 x LS-1000 each for left, center, right channel



TECHNICAL SPECIFICATIONS

LS-1000 Left/Right

Description:	2-way line source, closed
Tweeter:	8 pcs 1" soft dome
Midrange driver:	4 pcs 115 mm, 25mm voice coil, aluminum cone, vented magnet
Enclosure:	MDF
Frequency range:	100 – 20.000 Hz (-3 dB) <i>(for four LS-1000 modules)</i> <i>Frequency extension down to 50 Hz depending on EQ</i>
Nominal Impedance:	4 Ohm <i>(for four LS-1000 modules)</i> <i>(16 Ohm per module)</i>
Sensitivity:	98 dB (2.83 V/1 m) <i>(for four LS-1000 modules)</i>
Power handling:	300 W (IEC) <i>(for four LS-1000 modules)</i>
Maximum SPL:	120 dB <i>(for four LS-1000 modules)</i>
Crossover point:	1,8 kHz
Connections:	Screw terminals
Mounting:	In-wall
Dimensions (W x H x D):	280 x 500 x 85 mm / 11 x 19.7 x 3,35 inches + mounting
Weight:	9,9 kg / 21.8 lb
Finish:	Matte black

LS-1000 Center

Description:	2-way line source, closed
Tweeter:	8 pcs 1" soft dome
Midrange driver:	4 pcs 115 mm, 25mm voice coil, aluminum cone, vented magnet
Enclosure:	MDF
Frequency range:	100 – 20.000 Hz (-3 dB) <i>(for four LS-1000 modules)</i> <i>Frequency extension down to 50 Hz depending on EQ</i>
Nominal Impedance:	4 Ohm <i>(for four LS-1000 modules)</i> <i>(16 Ohm per module)</i>
Sensitivity:	98 dB (2.83 V/1 m) <i>(for four LS-1000 modules)</i>
Power handling:	300 W (IEC) <i>(for four LS-1000 modules)</i>
Maximum SPL:	120 dB <i>(for four LS-1000 modules)</i>
Crossover point:	1,8 kHz
Connections:	Screw terminals
Mounting:	In-wall
Dimensions (W x H x D):	280 x 500 x 132 mm / 11 x 19.7 x 5.2 inches + mounting
Weight:	10,4 kg / 22.9 lb
Finish:	Matte black

SERVICE INFORMATION

To obtain warranty service, you must contact your original dealer or the Steinway Lyngdorf distributor of the region or country where you are located. If you have trouble locating an authorized representative, please find contact information at www.steinwaylyngdorf.com

Steinway Lyngdorf
Rævevej 3
DK 7800 Skive
Denmark

In some cases, it may be necessary to return the equipment to Steinway Lyngdorf or an authorized service provider for repair; therefore, it is recommended that you save your original packing materials. Steinway Lyngdorf will not be responsible for any damage due to unauthorized packing or shipment in non-original packing materials. If return is made in authorized packaging, risks are borne by Steinway Lyngdorf. Additional charges may occur if new packing materials are required for return shipment.

Please check the latest version of this printed manual on our website:

www.steinwaylyngdorf.com

