



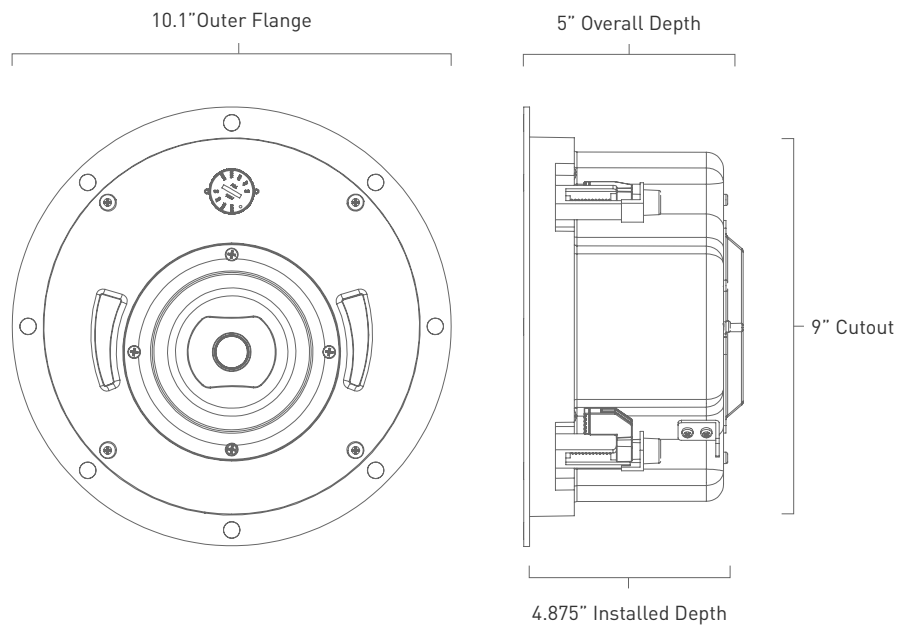
Description

Leon's Axis Pro Design in-ceiling speakers provide the perfect mix of flexibility and performance. Featuring premium, full-range sound Axis Pro Design provides exceptionally detailed reproduction of vocals and music—ideal as primary speakers in conference or presentation rooms, or as sound reinforcement for background music in distributed audio systems. And with UL-listed, plenum-rated steel back cans and 70-volt transformers, Axis Pro Design is suitable for any commercial application.

Recommended with Hz400, Pr400, ACS10-UT

Key Features

- 4" fiberglass cone woofer and 1" articulating Tetron-dome tweeter provides premium, full-range sound and maximum coverage
- UL-listed with plenum-rated steel back cans and 70-volt transformers
- 4.5" deep for easy installation in ceilings with low clearance
- Available with square or circular magnetic grill (ships standard with circular grill)
- Grills can be custom painted to match any color code or paint swatch
- Perfect for public address, background music, or as sound reinforcement for distributed audio systems



TECHNICAL SPECIFICATIONS

Outer Flange	10.1" dia.	Components	4" fiberglass cone woofer with rubber surround;
Cutout	9" dia.	Power	32W RMS, 60W Max
Installed Depth	4.875"	100V Taps	8Ω/4/8/16
Overall Depth	5" (without grill)	70V Taps	8Ω/2/4/8/16
Weight	5.8 lbs.	Freq. Resp.	80Hz-20kHz (+/- 3dB)
Material	Powder coated steel, plenum-rated	Nominal Coverage	120° (+/- 10dB)
Safety Rating	UL 2043 & UL 1480	Sensitivity	88dB
Grill	Low-profile, magnetic mount, powder-coated steel, round included (square available)		