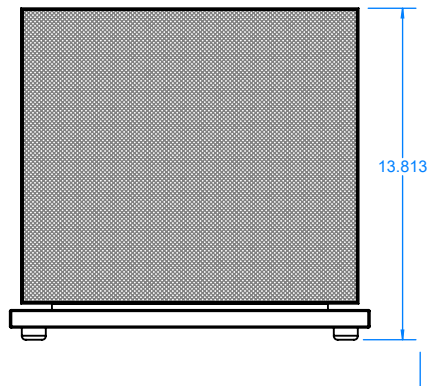
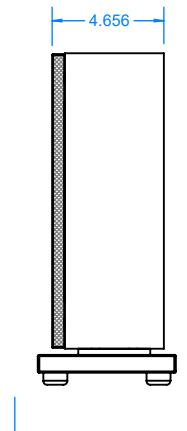
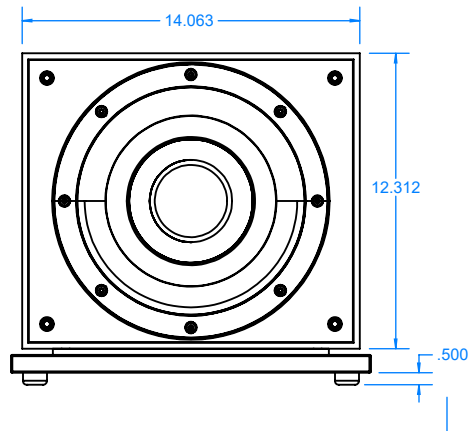


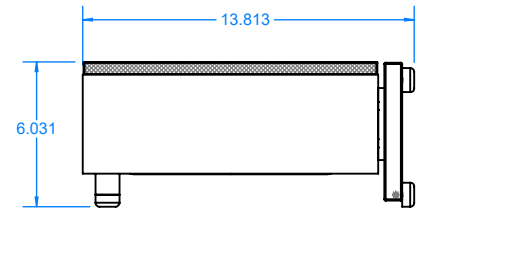
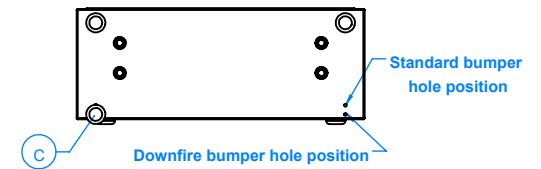
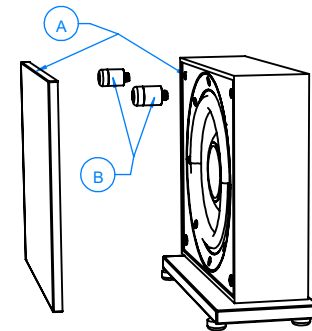
Front and Top views with grill



Front view with grill removed



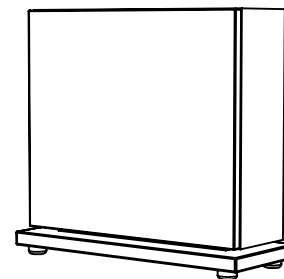
Side view



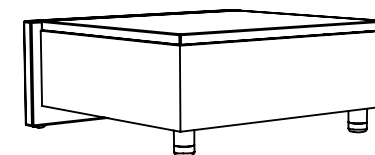
Side view of downfiring configuration and transition sequence

FEATURE AND CONFIGURATION NOTES:

- A. To convert to downfiring configuration, remove grill and rubber baffle inserts
- B. Install downfire adapter legs into upper threaded holes
- C. Remove front bumpers and reinstall to position shown. Grill can be mounted on back of subwoofer.



Perspective view of upright position



Perspective view of downfiring configuration



715 W. Ellsworth Rd. Ann Arbor, MI 48108
1-888-213-5015 | www.leonspeakers.com

This information is the confidential, proprietary property of Leon Speakers, Inc. Unauthorized use is prohibited. Features, specifications and appearance are subject to change without notice

A

Description	Date	Scale
A10-UT & ACS10-UT	3-24-18	1:8