

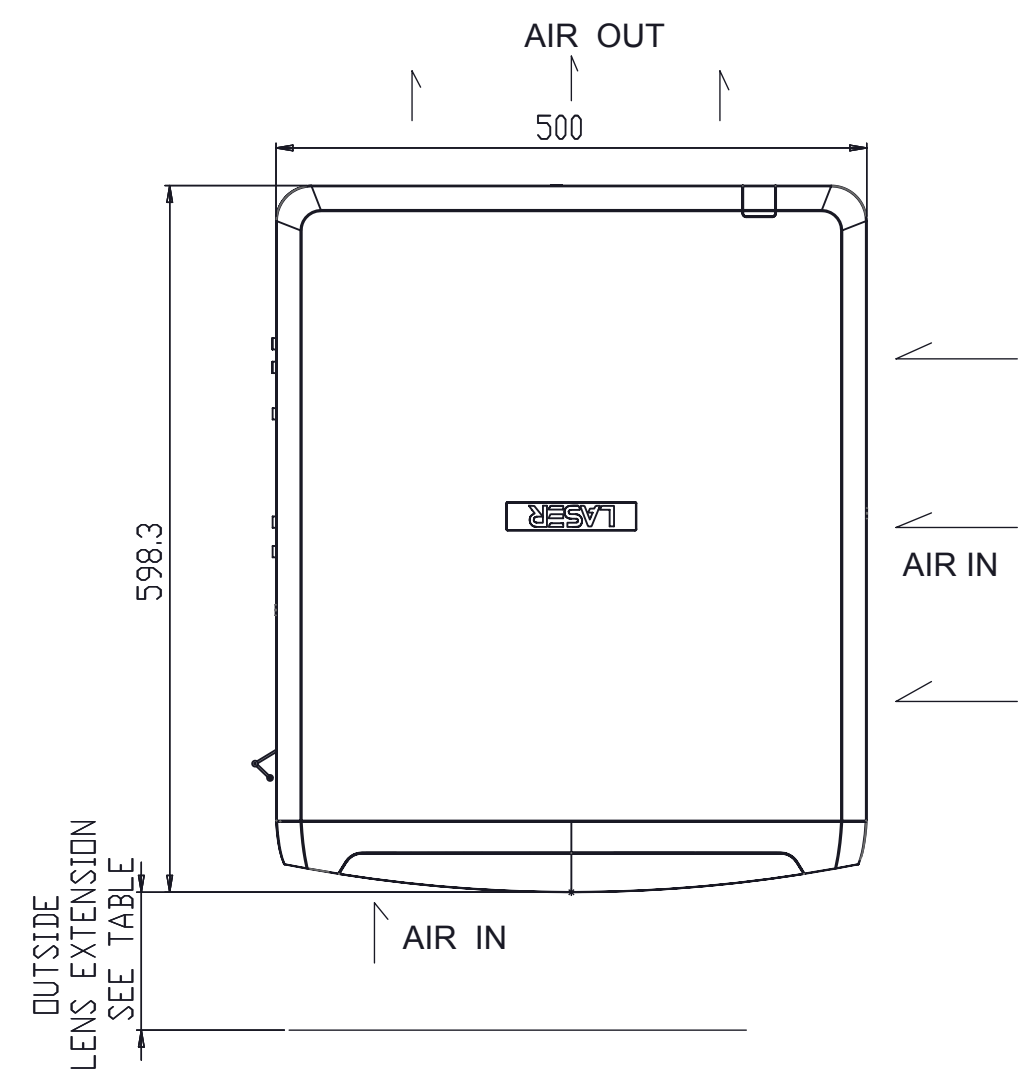
A2 DRG. No.

**PROPRIETARY INFORMATION**  
 This document contains proprietary information which is loaned to you in confidence for a specific purpose. It shall not be reproduced, copied, disseminated, or otherwise used for any other purpose without the prior written permission of Digital Projection Ltd. It shall be returned immediately upon request.

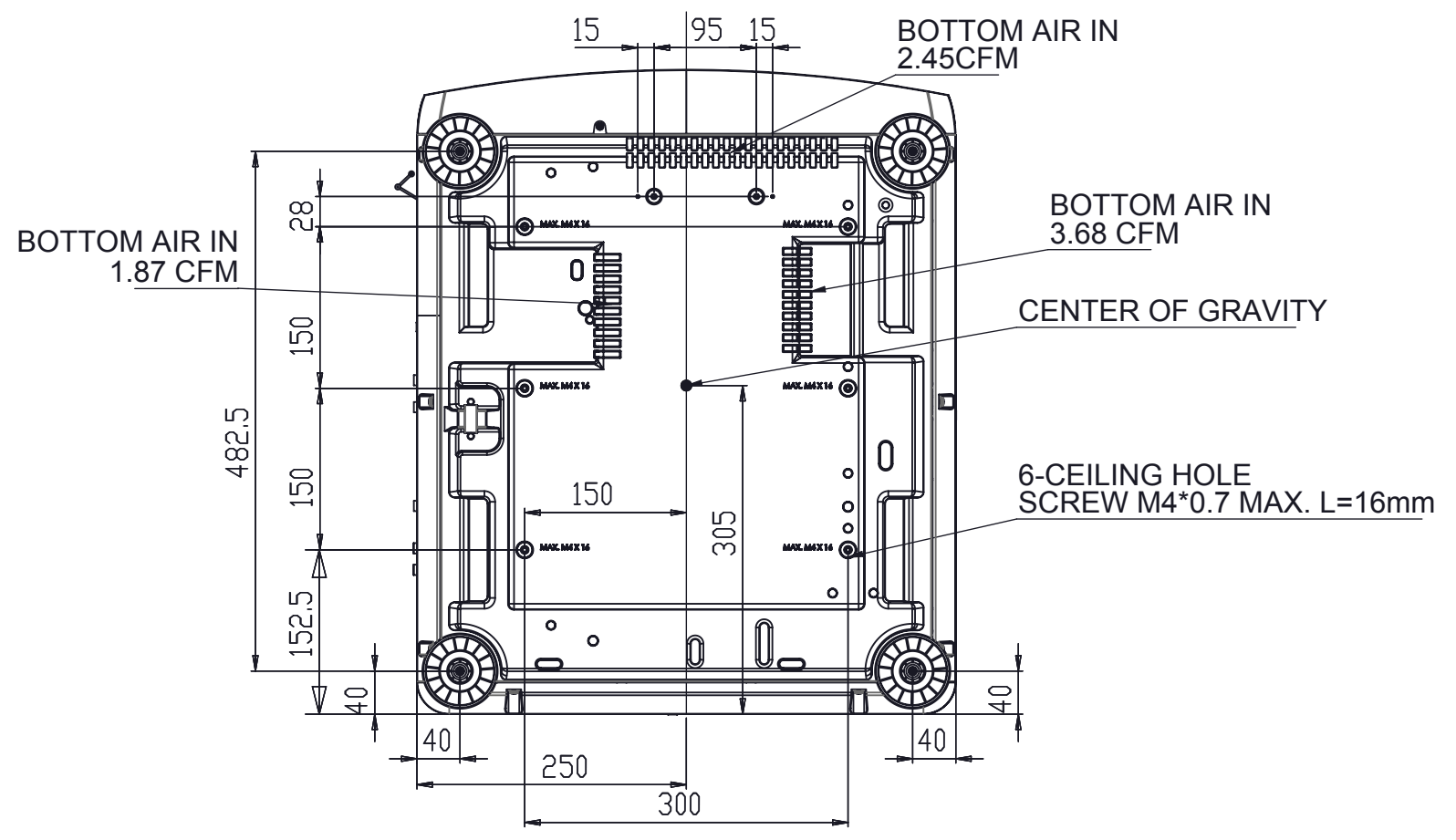
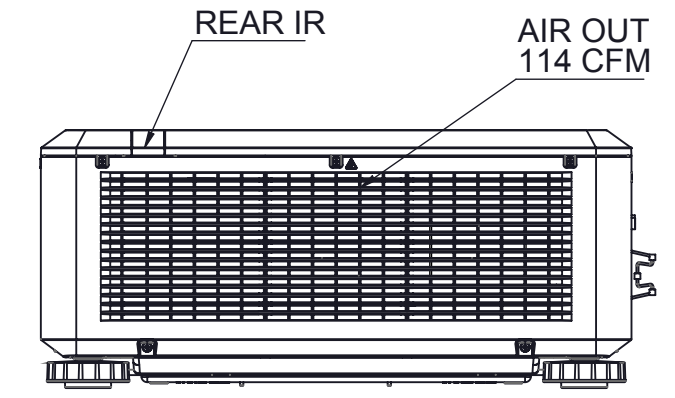
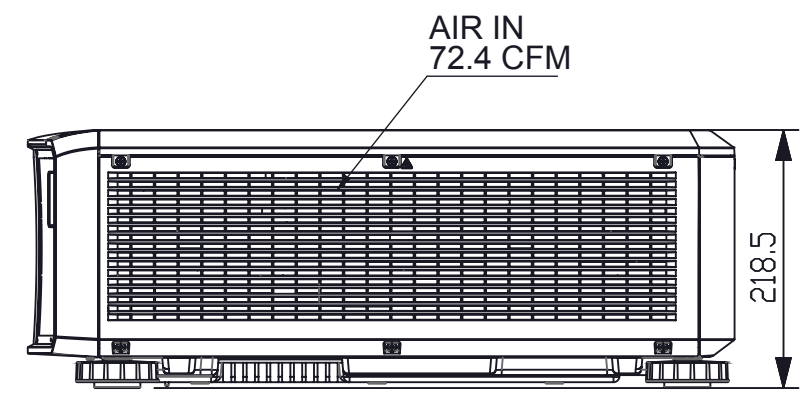
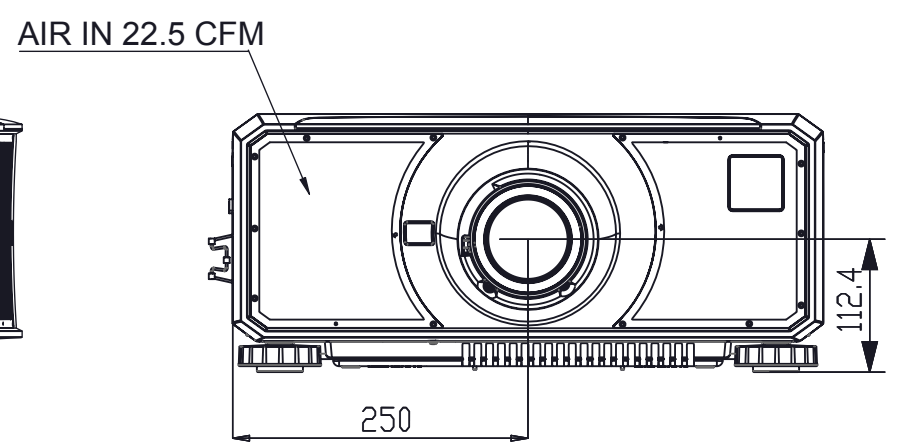
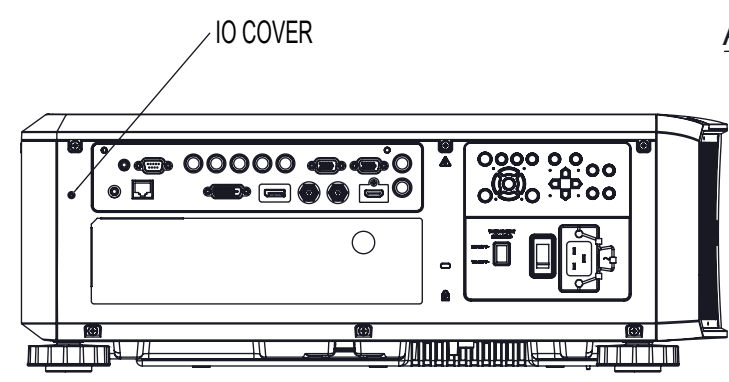
**DRAWN BS 308**  
 3rd Angle Projection

Distribution Code

IF IN DOUBT, ASK.



High Brightness Lenses (F# 1.7) (H6t)				
Lens Part Number	Lens Type	Throw Ratio for WUXGA (0.67" DMD) 16:10 Aspect Ratio	Outside Edge Lens Extension	Remarks
112-501	Standard Lens	1.73 ~ 2.27 : 1	-7.6mm	
112-499	Wide Fix	0.76 : 1	11.7mm	
112-500	Wide Zoom	1.25 ~ 1.79 : 1	18.2mm	
112-502	Semi Long Zoom	2.22 ~ 3.67 : 1	11.6mm	
112-503	Long Zoom1	3.58 ~ 5.38 : 1	28.4mm	
112-504	Long Zoom2	5.31 ~ 8.26 : 1	74mm	
115-339	Ultra Wide Zoom	0.75 ~ 0.93 : 1	41.1mm	Has manual curvature correction on outer lens ring
117-341B	Ultra Short Throw Lens (includes Lens support kit)	0.377 : 1	274.4mm	Requires supporting Bracket (included)



119-024	PROJECTOR, E-VISION LASER 8500, WUXGA, BLACK, EMEA-CHINA
119-025	PROJECTOR, E-VISION LASER 8500, WUXGA, WHITE, USA
119-026	PROJECTOR, E-VISION LASER 8500, WUXGA, DEPOLARISER, BLACK, EMEA-CHINA
119-027	PROJECTOR, E-VISION LASER 8500, WUXGA, DEPOLARISER, WHITE, USA
117-917	PROJECTOR, E-VISION LASER 7500 WUXGA, EMEA/CHINA, BLACK
117-918	PROJECTOR, E-VISION LASER 7500 WUXGA, USA WHITE

PRE REVS	ITEM	DESCRIPTION	REFER TO	No OFF	REMARKS
7					
6					
5					
4					
3					
2					
A	1				

MATERIAL	CAD GENERATED DRAWING DO NOT MAKE MANUAL CHANGES	TOLERANCES UNLESS OTHERWISE STATED	Unless Otherwise Stated	DIMENSIONS IN MILLIMETRES	FIRST USED ON
CODE	LAST CHANGE	METRIC: 1.000 ± 0.01 1.00 ± 0.1 1.0 ± 0.2 1 ± 0.4	REMOVE ALL BURRS & SHARP EDGES. DO NOT SCALE DRAWING THE SURFACE TEXTURE ROUGHNESS NUMBER OF MACHINED SURFACES SHOULD BE EQUAL TO OR LESS THAN 0.8um (N6 CLA32)	REV. A	ORIGINAL SCALE 1:8
FINISH	DATE OF ISSUE 5-9-18	IMPERIAL Fractional ± 1/64" Decimal ± 0.005"		NOTE jcharnley	DRAWN jcharnley
		ANGLES ± 0' 30"		APP.DO.	DATE 13-06-18

DIGITAL PROJECTION		MIDDLETON M24 1XX
TITLE	SEE ABOVE	COMPONENT OR DRG.No. SEE ABOVE
A2-SHEET	1 OF 1	