

A2 DRG. No.
 PROPRIETARY INFORMATION
 This document contains proprietary information which is loaned to you in confidence for a specific purpose. It shall not be reproduced or transmitted to other documents or other purposes without the prior written permission of Digital Projection Ltd. It shall be returned immediately upon request.

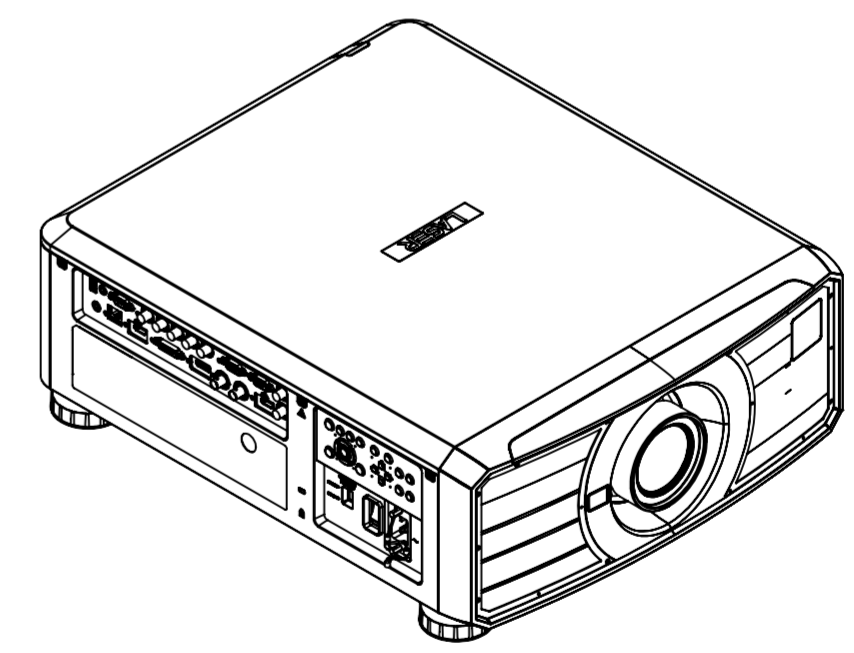
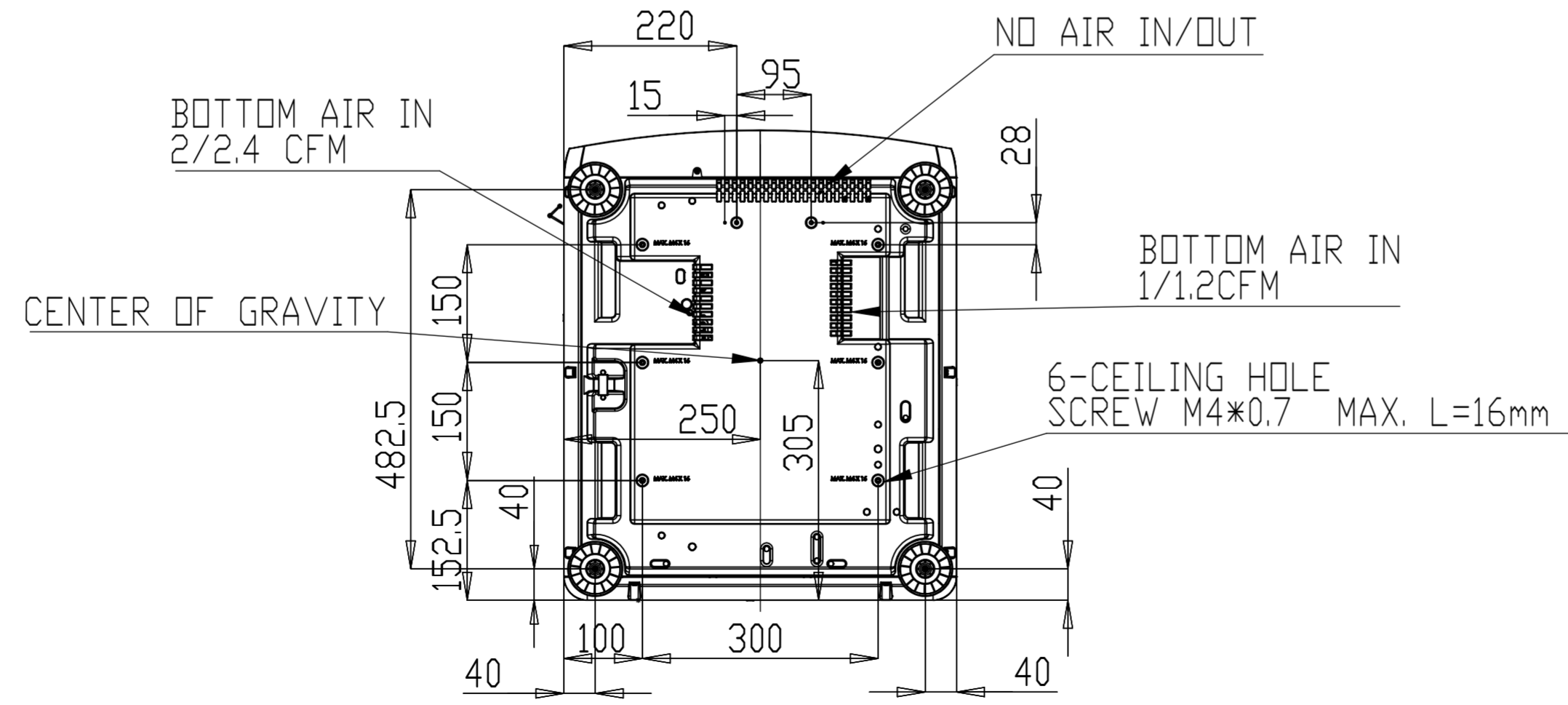
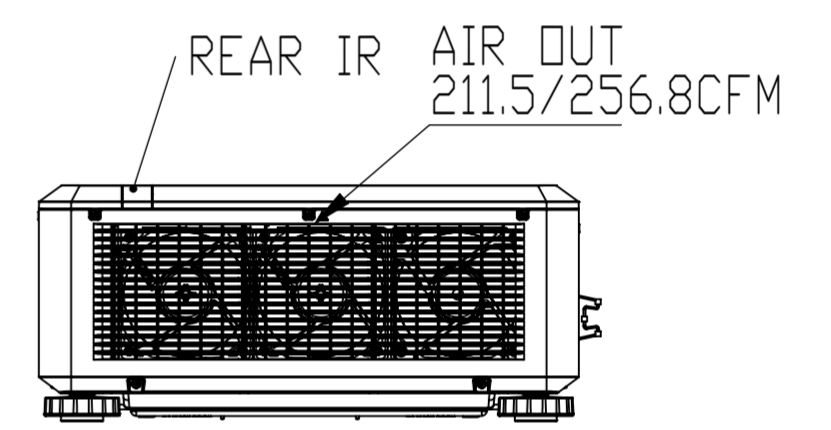
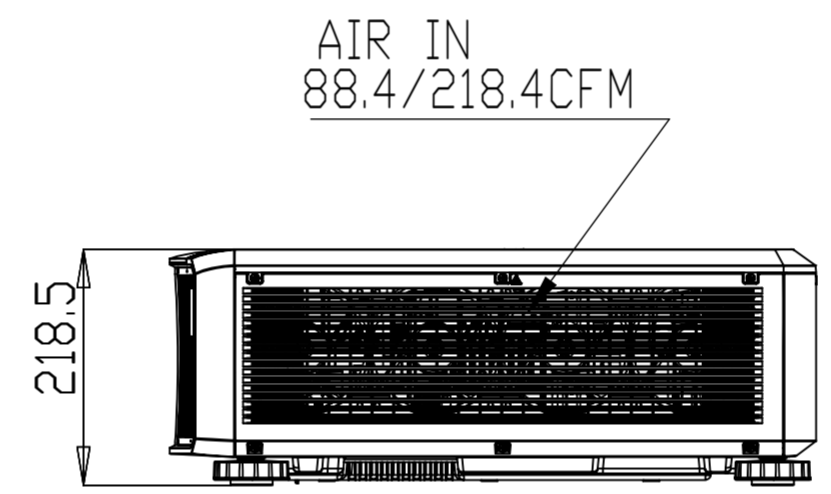
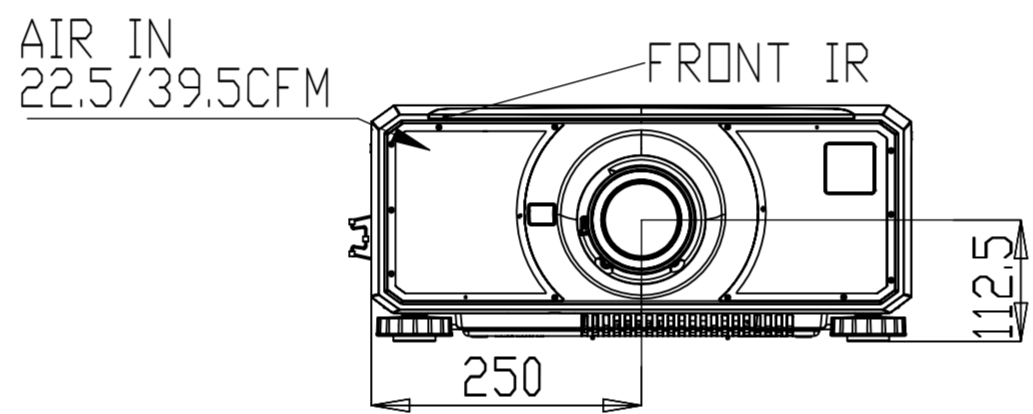
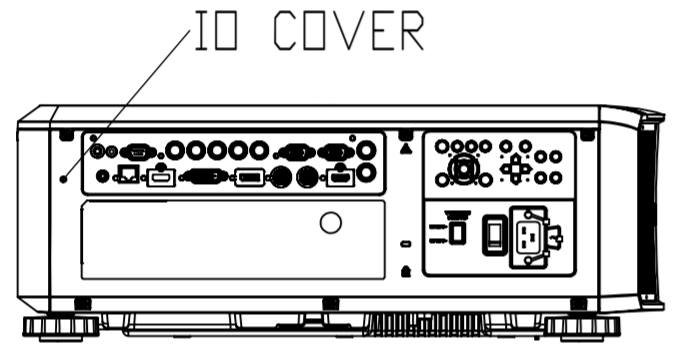
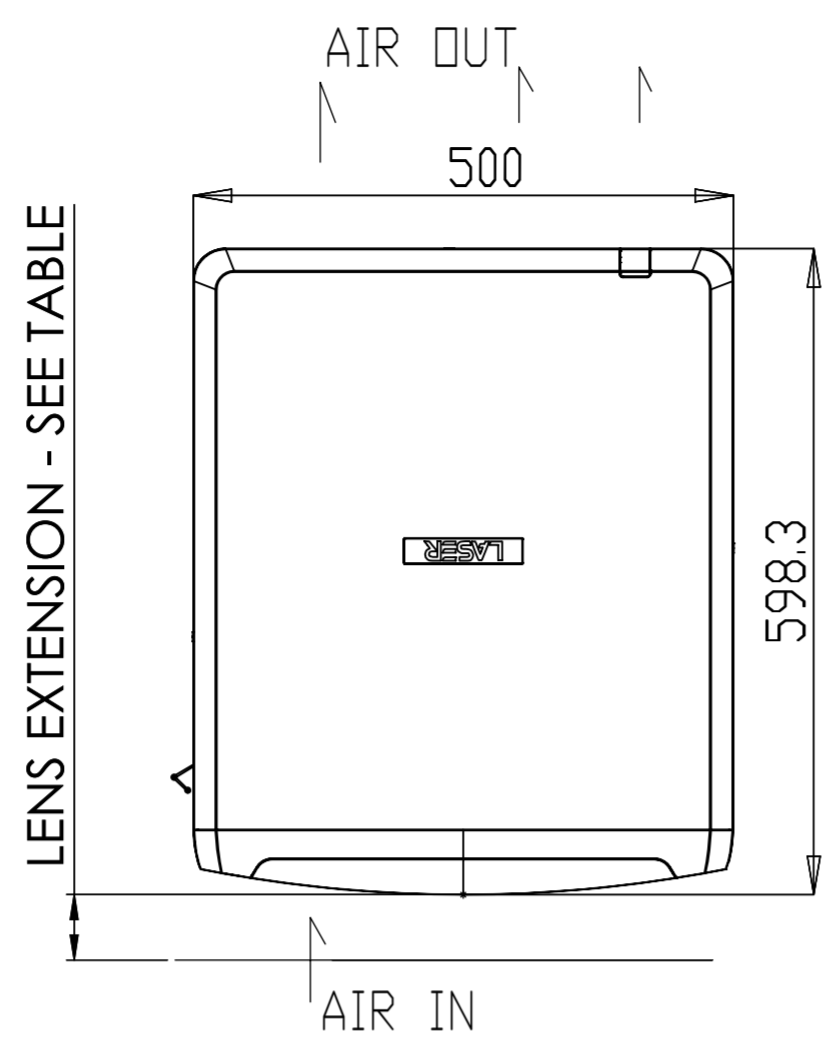
DRAWN BS 308
 3rd Angle Projection

Distribution Code

IF IN DOUBT, ASK.

LENS EXTENSION TABLE

High Brightness Lenses			Remarks
DP P/N	Throw Ratio for WUXGA (0.67" DMD) 16:10 Aspect Ratio	Outside Edge Lens Extension	
117-341B	0.377 : 1	287.5mm	Requires lens supporting bracket (included).
112-499	0.76 : 1	25.0mm	
115-339	0.75 ~ 0.93 : 1	54.4mm	Has manual curvature correction on outer lens ring.
112-500	1.25 ~ 1.79 : 1	31.5mm	
112-501	1.73 ~ 2.27 : 1	5.7mm	
112-502	2.22 ~ 3.67 : 1	24.9mm	
112-503	3.58 ~ 5.38 : 1	41.7mm	
112-503	3.58 ~ 5.38 : 1	281mm	Requires 121-867 lens hood To comply with USA FDA regulatory requirements.
112-504	5.31 ~ 8.26 : 1	82.3mm	
112-504	5.31 ~ 8.26 : 1	281mm	Requires 121-867 lens hood To comply with USA FDA regulatory requirements.



Part No.	Description
120-994	PROJECTOR, E-VISION LASER 15000 WU (BLACK)
120-995	PROJECTOR, E-VISION LASER 15000 WU (BLACK) TAA

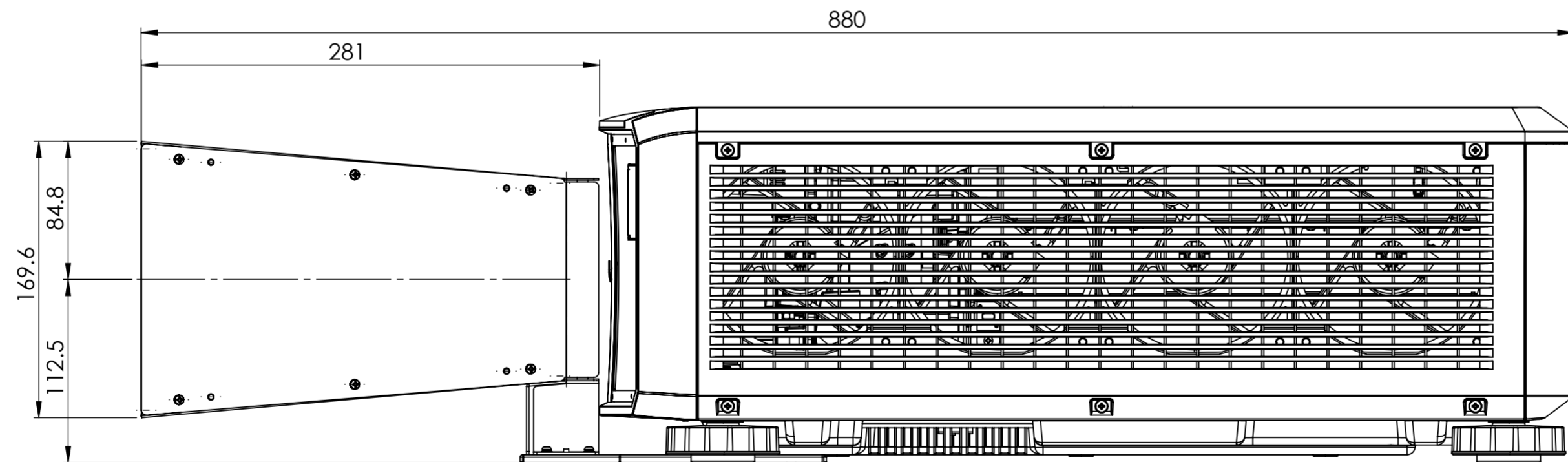
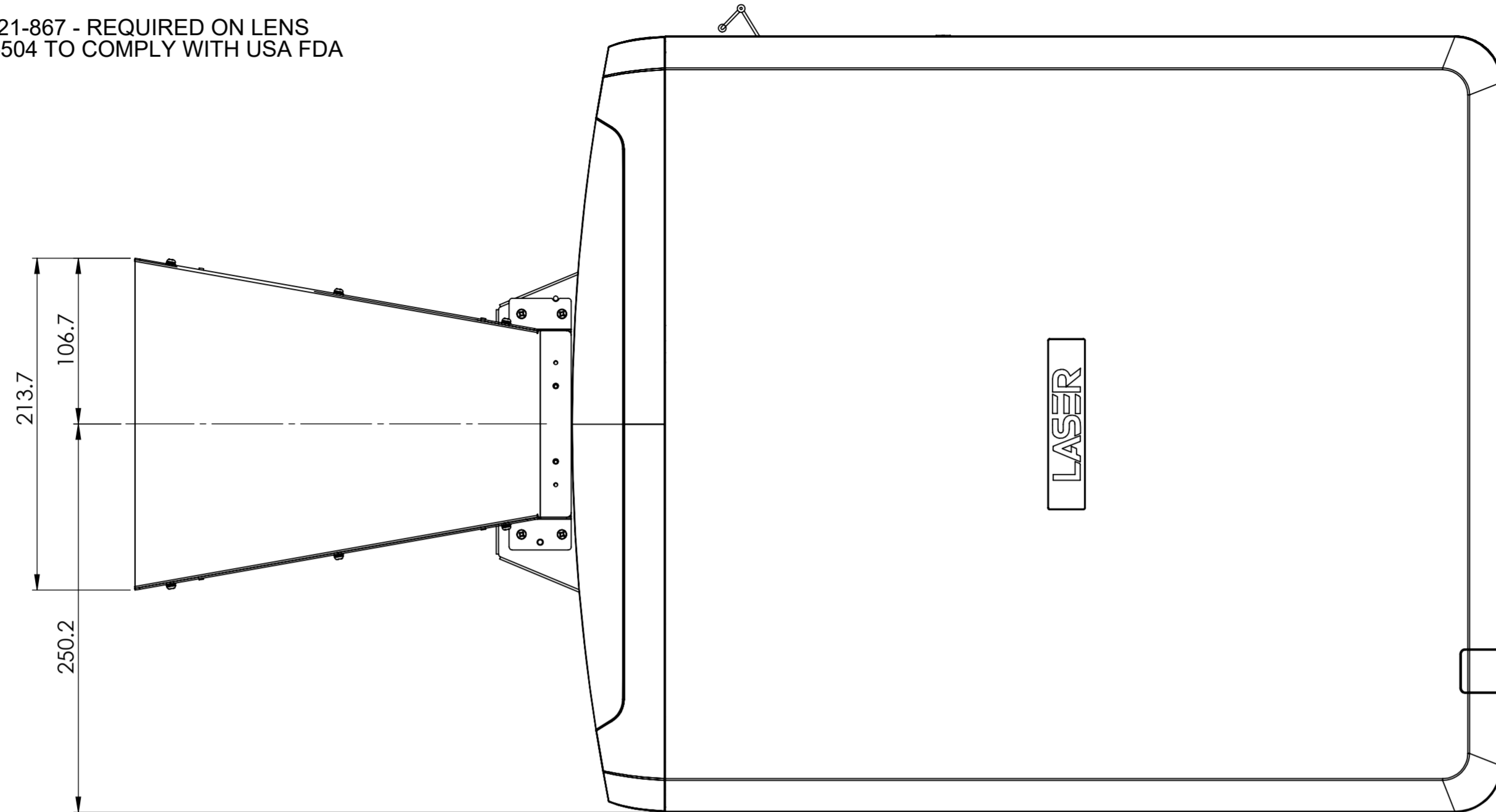
PRE REVS	ITEM	DESCRIPTION	REFER TO	No OFF	REMARKS
7					
6					
5					
4					
3					
2					
1					

MATERIAL	CAD GENERATED DRAWING DO NOT MAKE MANUAL CHANGES	TOLERANCES UNLESS OTHERWISE STATED	Unless Otherwise Stated DIMENSIONS IN MILLIMETRES	FIRST USED ON
CODE	LAST CHANGE	METRIC: 1.000 ± 0.01 1.00 ± 0.1 1.0 ± 0.2 1 ± 0.4	REMOVE ALL BURRS & SHARP EDGES. DO NOT SCALE DRAWING THE SURFACE TEXTURE ROUGHNESS NUMBER OF MACHINED SURFACES SHOULD BE EQUAL TO OR LESS THAN 0.8um (N6 CLA32)	ORIGINAL SCALE 1:7
FINISH	DATE OF ISSUE 9-10-20	IMPERIAL: Fractional ± 1/64" Decimal ± 0.005"	REV. A	TITLE SEE ABOVE
		ANGLES ± 0' 30"	NOTE jcharnley	COMPONENT OR DRG.No. SEE ABOVE
			DRAWN jcharnley	DATE 29-09-20
			APP.DO.	
			DATE 09-10-20	



IF IN DOUBT, ASK.

LENS HOOD P/N: 121-867 - REQUIRED ON LENS
 P/N: 112-503 & 112-504 TO COMPLY WITH USA FDA
 REGULATIONS



A2 DRG. No.
 PROPRIETARY INFORMATION
 This document contains proprietary information which is loaned to you in confidence for a specific purpose. It shall not be reproduced or transferred to other documents or used for any other purpose without the prior written permission of Digital Projection Ltd. It shall be returned immediately upon request.
 DRAWN BS 308
 3rd Angle Projection
 Distribution Code

PRE REVS	ITEM	DESCRIPTION	REFER TO	No OFF	REMARKS
	7				
	6				
	5				
	4				
	3				
	2				
A	1				

MATERIAL	
CODE	
FINISH	

CAD GENERATED DRAWING
 DO NOT MAKE MANUAL CHANGES
 LAST CHANGE
 DATE OF ISSUE 9-10-20

TOLERANCES UNLESS OTHERWISE STATED	
METRIC:	1.000 = ±0.01 1.00 = ±0.1 1.0 = ±0.2 1 = ±0.4
IMPERIAL:	Fractional ±1/64" Decimal ± 0.005"
ANGLES	± 0° 30'

Unless Otherwise Stated	DIMENSIONS IN MILLIMETRES
REMOVE ALL BURRS & SHARP EDGES. DO NOT SCALE DRAWING THE SURFACE TEXTURE ROUGHNESS NUMBER OF MACHINED SURFACES SHOULD BE EQUAL TO OR LESS THAN 0.8um (N6 CLA32)	
REV.	A
NOTE	
DRAWN	jcharnley
APP.DO.	
DATE	09-10-20

FIRST USED ON	
ORIGINAL SCALE	1:3
DRAWN	jcharnley
APP.ENG.	
DATE	29-09-20

DIGITAL PROJECTION MIDDLETON M24 1XX

TITLE: PROJECTOR, E-VISION LASER 15000 WU (BLACK)

COMPONENT OR DRG.No. 120-994

A2-SHEET 2 OF 2