

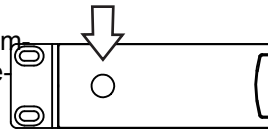


Helpful Information - Triad RackAmp 700 DSP

! RackAmp 700 has many significant changes from previous Triad RackAmps. They are highlighted ***in bold italic***

You **MUST Select The Triad Subwoofer Model** that RackAmp 700 DSP will drive when the amp is first powered up or after every factory reset. Once confirmed, subwoofer model can only be changed in the Installer Setup Menu. Triad In-Wall and In-Ceiling subwoofer model names are labeled on their front baffles. ***RackAmp 700 DSP now has EQ Profiles for all current Triad Sub models (some require 8 ohm enclosures). A new FLAT selection has no model EQ and its Sub High Pass Filter is switched OFF.*** If you do NOT see your Triad subwoofer model, please contact Triad for help.

Power On Methods - Default is (Auto) Sense. Other Power On Methods are Trigger (low voltage), ***IR/IP*** & Manual (front panel button). IR/IP must be selected for infrared Power ON/OFF commands to function; all other IR commands work with all other Power On Methods. For remote trouble shooting or setup changes, amp can power On & Off to Standby via IP from any modern web browser when set to IR/IP; see "IP Setup and Advanced Features" document at www.triadspeakers.com. ***Press front standby button to temporarily disable amp in all Power On Methods except Manual; light flashes blue to show amp is disabled. This no longer turns Power On Method to Manual. To resume normal function, press front Standby button again.*** Solid blue light shows amp is ON. Red light shows amp is in Standby. Flashing red indicates amp is in Protection.



Protection - No output? Front panel light ring flashes red when amp is in protection. Press any button for the display to show protection mode (short, thermal, over voltage). Check subwoofer speaker cable for shorts and check amp for inadequate ventilation. If hot, power amp OFF and let it cool down (can take up to 30 min). ***Reset RackAmp 700 DSP by switching off its Mains power switch***, next to back panel power cord, for 30+ seconds. Questions? Contact Triad sales & support at 1.800.666.6316.

Input Selection & Outputs - ***In User Menu select desired Input from default RCA (LFE unbalanced), XLR (balanced), and Speaker.*** Only the selected input gets amplified. Speaker Level Inputs cannot pass thru to any output. For daisy chaining, ***only the selected XLR or RCA Input now passes thru to its Output. And now both XLR and RCA Outputs can be highpass filtered & delayed*** either for bass management & time alignment of 2-channel systems or for multiple subs to produce different parts of the bass spectrum.

Menus - ***Menu changes now affect all inputs: RCA (unbalanced), XLR (Balanced) and Speaker inputs can now be filtered.*** Menu changes occur in real time. What you see is what you hear. ***All changes are saved instantly and automatically. Volume changes are no longer volatile.*** User Volume default is still 00dB but ***switching amp to Standby no longer resets Volume to default. User Volume should now be used for permanent gain matching; there is no Input Gain adjustment in Installer Menu.***

Presets change sound to suit your circumstances. ***Default Preset is Normal*** (identical to previous model's Reference Preset). Cinema Preset boosts bottom end at 40Hz for extra oomph during movies. Night preset reduces deep subwoofer frequencies under 35Hz as a courtesy to family, friends, and neighbors. User 1, User 2, and ***User 3 custom presets*** are configured via IP (only) for special circumstances or different listeners using ***2 parametric filters*** & a separate default Volume per User Preset. The amplifier maintains its preset when put into standby. For repeatability, calibrate to default Normal preset.

RackAmp 700 DSP drives speaker loads of 4 ohms or higher. ***Use with 8 ohm Mini & Bronze subs only, as singles or in pairs.*** **Advanced Features:** To set up 6 Band Room EQ & ***3 User Presets*** via computer IP, connect via LAN or directly ***using standard Ethernet Cable.*** See "IP Setup and Advanced Features" document on our website, www.TriadSpeakers.com.

IR Input/Output - Input accepts feed from IR distribution. Output allows daisy-chaining IR control of multiple RackAmp 700 DSP amplifiers. Inserting a 3.5mm (mono) plug into IR Input disables front panel infrared receiving eye.

Setup Instructions are for typical multichannel home theater applications with AVR or preamp-processor.

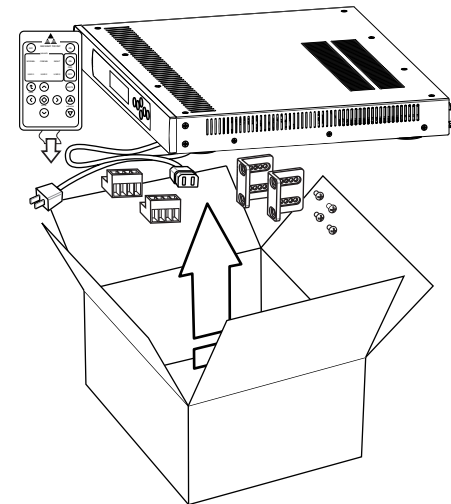
Input Voltage & Fuses - RackAmp 700 DSP automatically adapts to accept either 110VAC or 220VAC. The only change necessary is an IEC power cord appropriate for local conditions. Fuse values do not change. There are no internal fuses. The only accessible fuse is to the left of the IEC power cord socket.

Firmware Updates can be made in the field. Contact Triad for information.

Specifications - ***700 Watts; 3.5 Amps/220VAC, 7 Amps/110; 10AL250VP Fuse; 3mS latency.***

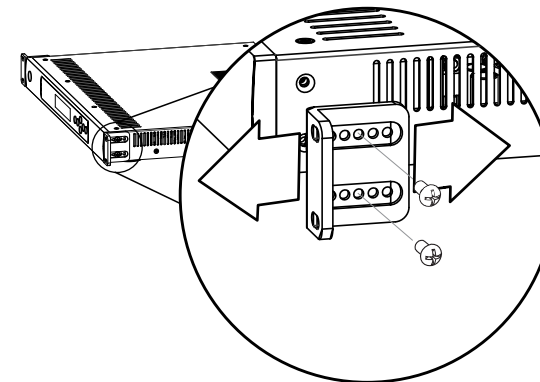
RackAmps.

A Unpacking / Contents



B Rack Installation.

Install rack ears with pre-packaged screws. Keep ventilation slots clear for airflow, particularly right front top & bottom.



Triad North American Warranty

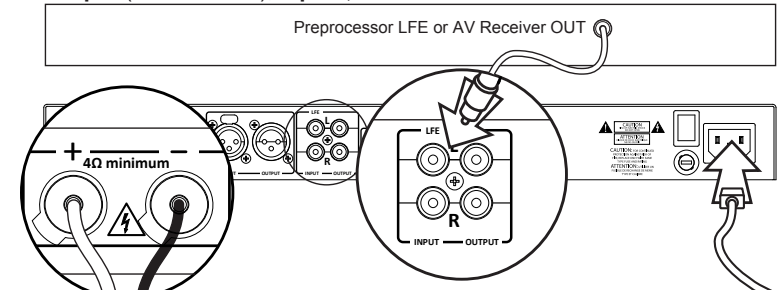
Triad amplifiers are warranted to be free from defects in materials and workmanship for a period of three (3) years, when operated under normal conditions.

This limited warranty period begins on the date of purchase, is extended only to Triad products (consequential damage is excluded) and is expressly in lieu of all other warranties expressed or implied. Should any defect in materials or workmanship occur within the limited warranty period, customers in the United States should contact Triad Customer Service at 1-503-517-2668 or service@triadspeakers.com to obtain a Return Authorization (RA) Number. Customers outside the U.S. should contact their dealer for service. The product should be returned in its original packaging together with proof and date of purchase with the RA number clearly visible on outside of the box. At our discretion, we will repair or replace the product and return it, free from charge. If you do not have the original packaging for the product, contact your dealer or Triad Service, and we can sell you a replacement.

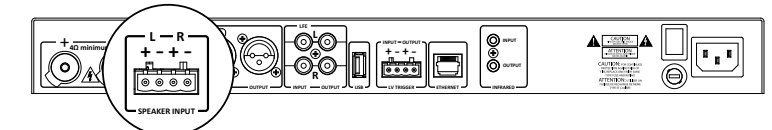
TriadSpeakers, Inc.
15835 NE Cameron Blvd. • Portland, Oregon 97230
800-666-6316 Sales • 503-517-2668 Service

C Connections

Output (to subwoofer), Inputs, AC Cord

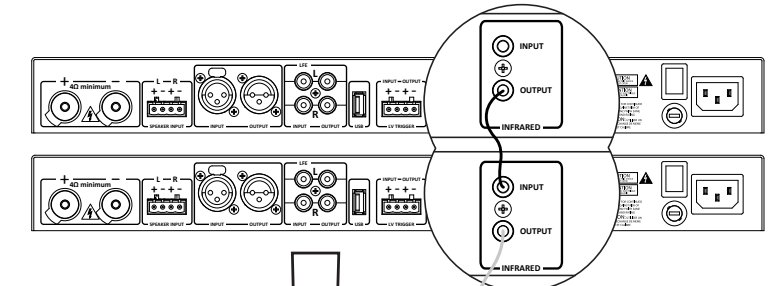


! To single 4 ohm Silver, Gold, & Platinum subs and ***single or dual 8 ohm Mini & Bronze subs only.*** Daisy chain multiple amps by sending Unbalanced RCA or Balanced XLR source signal from Outputs to the next amp's Inputs.

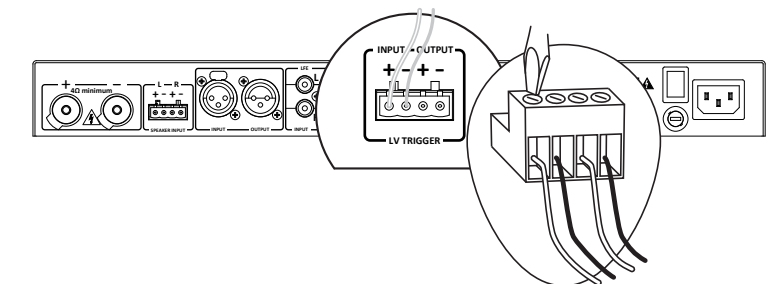


! ***New on the RackAmp 700 DSP is speaker level input***

IR Input - Accepts feed from IR distribution using cables with 3.5 mm plugs. Plugged Input disables front panel IR eye. Daisy-chain IR to multiple RackAmps from IR Output to next amp's IR Input.



Low Voltage Trigger - Via snap-in/pull-out phoenix connector. Input from low voltage (3-15V) trigger source. Daisy-chain LV Output to next amp's Input.





Features and Benefits - Triad RackAmp 700 DSP

Significant changes from previous Triad RackAmps are highlighted *in bold italic*.

Powerful RackAmp 700 DSP Class D amplifier technology provides superior bass, setup, calibration, and control. It teams with Triad subwoofers, singly or in multiples, to produce extended, high-impact, & explosive bass for movies plus nuanced & detailed bass for music. You will hear the difference.

Performance - Now with 700 Watts & built-in EQ profiles for Triad's complete current subwoofer line to ensure peak performance for each Triad model. **New Flat setting lets it drive any subwoofer.**

Size - Taking up just a single rack space (1RU), RackAmp 700 DSP saves rack and shelf space.

Energy Star Compliant - High efficiency saves energy and money.

Balanced Input & Output - RackAmp 700 DSP mates with high-end multi-channel and 2 channel systems using Balanced XLR connections.

Speaker Level Inputs - Let you add subs to any system, even house music.

3 Convenient Setup Methods.

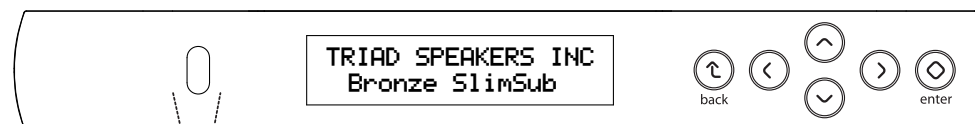
1. Use RackAmp 700 DSP as-is for high-performance plug-&-play.
2. Front panel display and menus access a broad array of DSP filters & control options to refine system performance and integration. Available manually and with IR remote control.
3. For ultimate set up via computer, use any modern web browser over IP to custom-tailor every aspect of RackAmp 700 DSP. IP lets you set up & calibrate your system remotely when your amp is not in your listening room. IP also gives you 2 Advanced Features: Create one Room EQ profile with 6 manual PEQ filters to optimize your sub(s) to your room. **Customize up to 3 User presets, each with two additional parametric filters** and preset volumes, for different listening styles & circumstances.

2-Channel Bass Management with Crossovers and Delay (time alignment) on Unbalanced and **now on Balanced Line Outputs** improves the sound of your 2-channel music system.

Unique Multi-Sub Setup - Delays, filters, and level adjustments provide increased control over daisy-chained subwoofers. Experience better bass impact, dynamics, and accuracy when all your subwoofers *work* together.

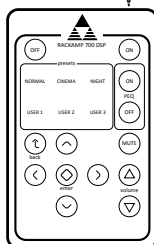
4 Power/Control Options. Sense, Trigger (low-voltage), **IR/IP** (infrared), and Manual power-on methods let you integrate RackAmp 700 DSP into every type of control system.

Dynamic Menu. Menu changes take effect instantly so you hear changes as you make them. **All changes are now saved instantly.**



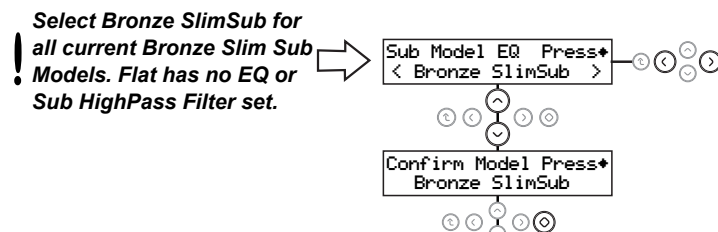
Menus and Setup

Use cursor and Enter buttons on remote control or front panel

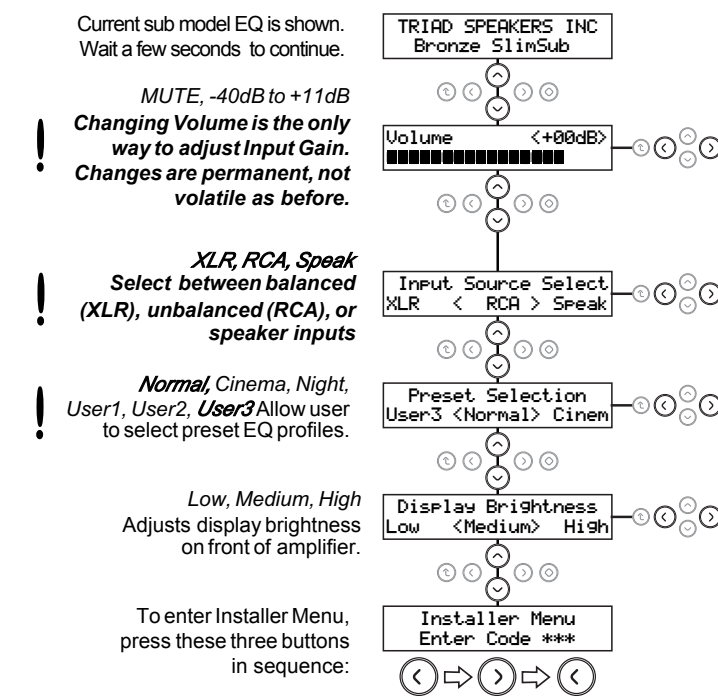


First Power On

Select Triad subwoofer model this amp will power.



User Menu



Menu Navigation, Operation, and Saving:

- Use Up and Down buttons to navigate through menus
- Item between arrows is selected and active immediately
- Use Left and Right buttons to change values. Enter is not needed unless prompted.
- All changes are saved instantly.** To exit Installer Menu, press Back.
- Submenus appear only when relevant. For example, you can only see & select a Delay amount when Delay is active.

INSTALLER MENU CODE

Access to the Installer Menu is located at the bottom of the User Menu. The code consists of pressing Left, Right, Left in sequence.

Installer Menu

