



**Triad Speakers Warranty Information**

For your convenience, we have included space below for you to record your speaker model and serial number, purchase date, dealer's name, and phone number. You will need the following information in the event your speaker needs servicing. Please keep this manual and the sales receipt in a safe place.

Model: \_\_\_\_\_ Serial #: \_\_\_\_\_

Dealer Name: \_\_\_\_\_

Purchase Date: \_\_\_\_\_ Phone #: \_\_\_\_\_

**Triad North American Warranty**

Triad speakers are warranted to be free from defects in materials and workmanship for a period of ten (10) years, when operated under normal conditions.

**This Limited Warranty Period Begins on the Date of Purchase**

This limited warranty is extended only to Triad products and is expressly in lieu of all other warranties expressed or implied.

Should any defect in materials or workmanship occur within the limited warranty period, customers in the United States should contact Triad Customer Service at 1-877-264-6315, to obtain a Return Authorization (RA) Number. Customers in Europe should contact their dealer for service.

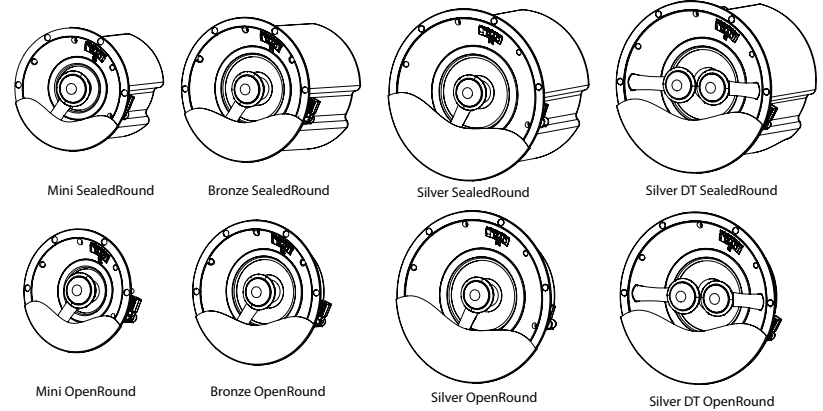
The product should be returned in its original packaging together with proof and date of purchase with the RA number clearly visible on outside of the box. At our discretion, we will repair or replace the product and return it, free from charge. If you do not have the original packaging for the product, contact your dealer or Triad Service, and we will provide it for you.

**Triad Speakers, Inc.**

15835 NE Cameron Blvd. • Portland, Oregon 97230  
503.256.2600 Sales • 877.264.6315 Toll Free Service  
www.triadspeakers.com

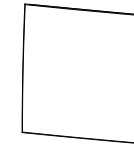


**InCeiling SealedRounds & OpenRounds Product Family**



Mini SealedRound      Bronze SealedRound      Silver SealedRound      Silver DT SealedRound

Mini OpenRound      Bronze OpenRound      Silver OpenRound      Silver DT OpenRound



Optional Square Grill Available

**Made in the USA and Canada**  
Triad Speakers, Incorporated - Portland, Oregon  
www.triadspeakers.com

# Message from the President

About your new Triad InCeiling Rounds

## Thank You...

For purchasing Triad's line of round, compact in ceiling speakers.

We designed and engineered each loudspeaker with pride in the United States of America with the utmost attention to quality, décor-friendly design, and high performance sound.

With ultraslim frameless grills, optional square grills, and custom paint matching in Triad's Portland factory, these speakers blend perfectly into any interior design.

All models are fully engineered to deliver the rich natural sound Triad is famous for. We offer two versions, each designed and engineered to perform best in its own acoustical environment:

*OpenRounds* for installations lacking depth.

*SealedRounds* with acoustically dampened metal backcans, f uted for greater rigidity and reduced resonances, to produce tighter and more consistent bass and to increase noise isolation in adjoining areas.

Both versions share:

- Low mass carbon fiber woofers (optimized for each version) for detailed sound and dynamics.
- Premium fabric dome tweeters for sweet, airy high frequencies.
- Diecast aluminum bezels and parts for greater rigidity and longevity.

Our dual tweeter (DT) model has the flexibility to perform as a great stereo (dual channel) speaker, dipole surround, or bipole surround.

We trust that you will hear the benefits of this engineering each time you play them.

Thanks again and happy listening.

**Larry Pexton**

President of Triad Speakers, Inc.

## Finish Maintenance & Care

The paint finish on all Triad speakers are designed to last a lifetime with minimal care. If cleaning the surface becomes necessary, gently wipe the speaker grill with a soft cloth lightly dampened with a mild soap and water solution.

## Custom Paint

Custom paint is available from Triad at the time your speaker is ordered.

If you supply us with an actual paint sampler, we can paint your new speaker any color you wish. The results will be superior, and you will also be supplied with a small bottle of touch-up paint.

## Notes:

---

---

---

---

---

---

---

---

---

---

---

---

---

---

---

---

---

---

---

---

---

---

---

# Specifications SealedRound:

## InCeiling Mini SealedRound

**Cabinet Dimensions:**

Inside Ring Diameter 6-7/16" (16.3cm)  
 Mounting Depth 7" (17.8cm)  
 Hole Cut Out | NCB: 6-1/2 (16.5cm) | RM  
 Grill: 7-3/8 (18.7cm)

**Product Weight:**

5.4 lbs. each (2.4kg)

**Shipping Weight: (2 per box)**

13.7 lbs. (6.2kg)

**Drive Units:**

(1) 1" (25mm) Fabric dome tweeter.  
 (1) 4" (11cm) Carbon fiber woofer.

**Sensitivity:**

86 dB/1W/1m

**Installed Frequency Response:**

95 Hz - 20 kHz (+/-3dB)

**Power Handling:**

Rec. amp. power 25 - 75 watts

**Impedance:**

Nominal impedance 8 ohms

## InCeiling Bronze SealedRound

**Cabinet Dimensions:**

Inside Ring Diameter 7-3/4" (19.6cm)  
 Mounting Depth 7-7/8" (20cm)  
 Hole Cut Out | NCB: 7-7/8 (20cm) | RB  
 Grill: 8-5/8 (21.9cm)

**Product Weight:**

7 lbs. each (3.2kg)

**Shipping Weight: (2 per box)**

18.4 lbs. (8.3kg)

**Drive Units:**

(1) 1" (25mm) Fabric dome tweeter.  
 (1) 5-1/4" (14cm) Carbon fiber woofer.

**Sensitivity:**

85 dB/1W/1m

**Installed Frequency Response:**

85 Hz - 20 kHz (+/-3dB)

**Power Handling:**

Rec. amp. power 25 - 75 watts

**Impedance:**

Nominal impedance 8 ohms

## InCeiling Silver SealedRound

**Cabinet Dimensions:**

Inside Ring Diameter 9-3/8" (23.8cm)  
 Mounting Depth 7-13/16" (19.9cm)  
 Hole Cut Out | NCB: 9-1/2 (24.1cm) | RS  
 Grill: 10-1/4 (26.1cm)

**Product Weight:**

8 lbs. each (3.6kg)

**Shipping Weight: (2 per box)**

21.8 lbs. (9.9kg)

**Drive Units:**

(1) 1" (25mm) Fabric dome tweeter.  
 (1) 6-1/2" (17cm) Carbon fiber woofer.

**Sensitivity:**

87 dB/1W/1m

**Installed Frequency Response:**

90 Hz - 20 kHz (+/-3dB)

**Power Handling:**

Rec. amp. power 25 - 125 watts

**Impedance:**

Nominal impedance 8 ohms

## InCeiling Silver DT SealedRound

**Cabinet Dimensions:**

Inside Ring Diameter 9-3/8" (23.8cm)  
 Mounting Depth 7-13/16" (19.9cm)  
 Hole Cut Out | NCB: 9-1/2 (24.1cm) | RS  
 Grill: 10-1/4 (26.1cm)

**Product Weight:**

8 lbs. each (3.6kg)

**Shipping Weight:**

11.9 lbs. each (5.4kg)

**Drive Units:**

(2) 1" (25mm) Fabric dome tweeter.  
 (1) 6-1/2" (17cm) Carbon fiber woofer.

**Sensitivity: (each channel)**

87 dB/1W/1m

**Installed Frequency Response:**

80 Hz - 20 kHz (+/-3dB)

**Power Handling:**

Rec. amp. power 25 - 125 watts

**Impedance:**

Nominal impedance 8 ohms

# Table of Contents

## Features

Message from the President - <i>About your new Triad InCeiling Rounds</i>	2
Finish Care & Custom Paint	2

## Installation

New Construction & Retro-fit	4
Speaker Grill Installation & Removal	6

## Wiring

Single Tweeter Models	7
Dual Tweeter (DT) Models	7

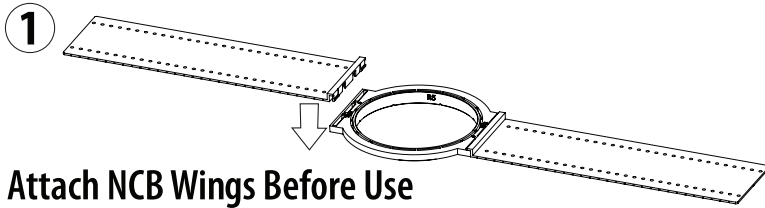
## Specifications

InCeiling OpenRounds	9
InCeiling SealedRounds	9

## Appendix

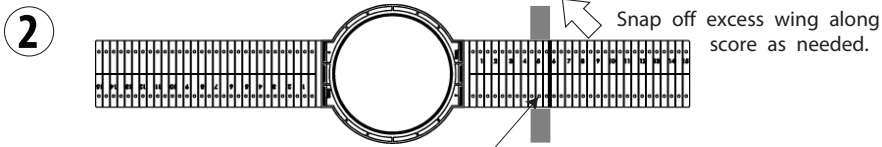
Warranty	BC
----------	----

## New Construction Installation:



### Attach NCB Wings Before Use

Locate where speaker will be placed in the wall/ceiling. When installed the speaker may take up the full cavity within the NCB location (i.e. keep clear of electrical wires, HVAC, etc.). Position bracket between the desired two joists/studs so the flange protrudes out for drywallers to sheetrock around. Attach screws through attachment holes on NCB.



Attach NCB to studs or joists using screws through holes.

After sheetrock, place speaker into large hole.

## Retro-fit & Wiring installation:

Use a stud finder to locate the two joists between the location in which you wish to install the speaker. Snap off excess wing along score as needed.

Using the enclosed hole cut out template as a guide, mark the outline on the wall with pencil. Cut along outlined mark with a drywall knife/saw slowly, trying not to chip out the drywall excessively.

1. On the back of the speaker you'll find a single set of push-type speaker connectors. DT models have two sets for left (IN1) and right (IN2) speakers in a 2-channel system.
2. For each speaker, push the connector head down exposing a hole in which you insert the speaker wire. Releasing the head locks it onto the wire.



3. To keep polarity correct, connect amplifier's + (positive) to speaker's + and the amplifier's - (negative) to the speakers -. To avoid shorts, keep stray strands clear of adjoining connectors.

## Specifications OpenRound:

### InCeiling Mini OpenRound

#### Cabinet Dimensions:

Inside Ring Diameter: 6-7/16" (16.3cm)  
Mounting Depth: 3" (10.4cm)  
Hole Cut Out | NCB: 6-1/2" (16.5cm) | RM  
Grill: 7-3/8" (18.7cm)

#### Product Weight:

3.4 lbs. each (1.5kg)

#### Shipping Weight: (2 per box)

9 lbs. (4.2kg)

#### Drive Units:

(1) 1" (25mm) Fabric dome tweeter.  
(1) 4" (11cm) Carbon fiber woofer.

#### Sensitivity:

86 dB/1W/1m

#### Installed Frequency Response:

85 Hz - 20 kHz (+/-3dB)

#### Power Handling:

Rec. amp. power 25 - 75 watts

#### Impedance:

Nominal impedance 8 ohms

### InCeiling Bronze OpenRound

#### Cabinet Dimensions:

Inside Ring Diameter: 7-3/4" (19.6cm)  
Mounting Depth: 4-1/8" (10.4cm)  
Hole Cut Out | NCB: 7-7/8" (20cm) | RB  
Grill: 8-5/8" (21.9cm)

#### Product Weight:

4.2 lbs. each (1.9kg)

#### Shipping Weight: (2 per box)

11 lbs. (5kg)

#### Drive Units:

(1) 1" (25mm) Fabric dome tweeter.  
(1) 5-1/4" (14cm) Carbon fiber woofer.

#### Sensitivity:

85 dB/1W/1m

#### Installed Frequency Response:

65 Hz - 20 kHz (+/-3dB)

#### Power Handling:

Rec. amp. power 25 - 75 watts

#### Impedance:

Nominal impedance 8 ohms

### InCeiling Silver OpenRound

#### Cabinet Dimensions:

Inside Ring Diameter 9-3/8" (23.8cm)  
Mounting Depth 4-1/16" (10.4cm)  
Hole Cut Out | NCB: 9-1/2" (24.1cm) | RS  
Grill: 10-1/4" (26.1cm)

#### Product Weight:

5 lbs. each (2.2kg)

#### Shipping Weight: (2 per box)

12.4 lbs. (5.6kg)

#### Drive Units:

(1) 1" (25mm) Fabric dome tweeter.  
(1) 6-1/2" (17cm) Carbon fiber woofer.

#### Sensitivity:

87 dB/1W/1m

#### Installed Frequency Response:

70 Hz - 20 kHz (+/-3dB)

#### Power Handling:

Rec. amp. power 25 - 125 watts

#### Impedance:

Nominal impedance 8 ohms

### InCeiling Silver DT OpenRound

#### Cabinet Dimensions:

Inside Ring Diameter 9-3/8" (23.8cm)  
Mounting Depth 4-1/16" (10.4cm)  
Hole Cut Out | NCB: 9-1/2" (24.1cm) | RS  
Grill: 10-1/4" (26.1cm)

#### Product Weight:

5.3 lbs. each (2.4kg)

#### Shipping Weight:

7.4 lbs. each (3.4kg)

#### Drive Units:

(2) 1" (25mm) Fabric dome tweeter.  
(1) 6-1/2" (17cm) Carbon fiber woofer.

#### Sensitivity: (each channel)

87 dB/1W/1m

#### Installed Frequency Response:

60 Hz - 20 kHz (+/-3dB)

#### Power Handling:

Rec. amp. power 25 - 125 watts

#### Impedance:

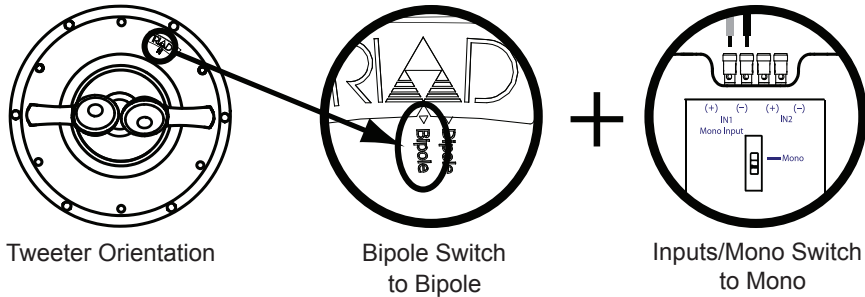
Nominal impedance 8 ohms

## Tuning: Special Applications

### Dual Tweeter Models Continued:

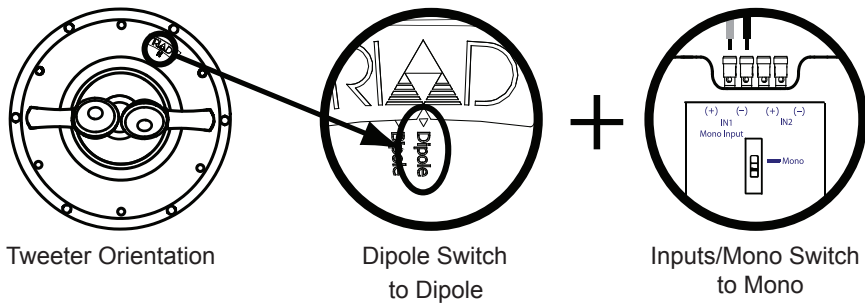
#### Bipole Surround Mode

Used for surround speaker applications where a more diffuse sound field is desired compared to a direct radiating speaker. Tweeters are in phase and typically aimed in opposite directions.



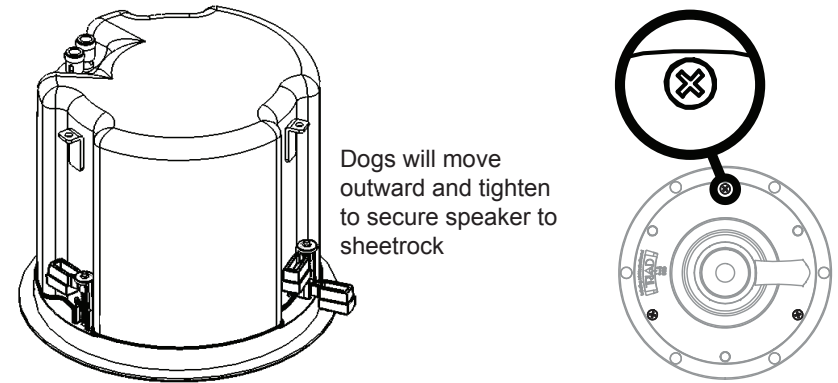
#### Dipole Surround Mode

Used for surround speaker applications where a very diffuse and enveloping sound field is desired. Tweeters are out of phase and typically aimed in opposite directions.



## Retro-fit & Wiring installation: continued

4. Make sure that the Stereo/Mono switch is set for your intended application.
5. Place the speaker into the hole. Do not lift or carry the speaker using tweeter arm(s). Rotate the speaker so the tweeter(s) are positioned to be properly aimed.



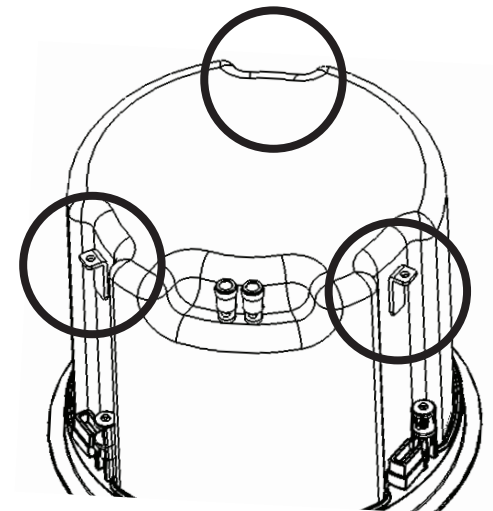
6. Tighten the three Phillips screws located on the speaker's front baffle (see drawing above) to rotate and tighten the dogs to the sheetrock.
7. Make sure the Tuning Switch on the front baffle is set for your intended application.
8. Aim the tweeters if desired and install the grill.

#### Earthquake Tabs:

There are three Earthquake tabs on the back of the SealedRound back can.

Use cables secured through these tabs to either attach the speaker to building structure for earthquakes or to fix the speaker from an open ceiling.

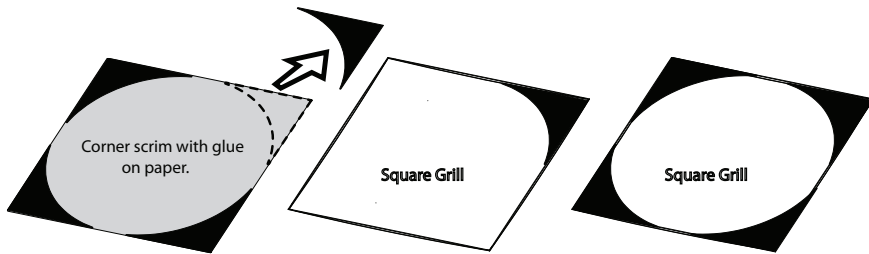
Always check that this work is done to applicable codes.



## Grill Scrim:

Our optional square grills include a sheet with four dark corner scrims.

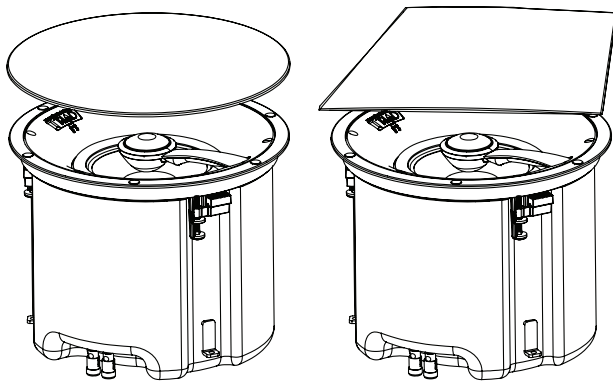
These are used to line the inside corners of the square grills on light colored walls and ceilings so that the contrast of the speaker baffle is not visible through the grill. Simply transfer the four corner scrims to the corresponding corners on the inside of the grill, with the glue side to the grill..



## Speaker Grill Installation & Removal:

Attach the metal grill to the frame by placing the grill over the edge of the frame. Grill will self-center onto the magnet system.

To remove the grill, grab the edge of the grill and gently pull away.

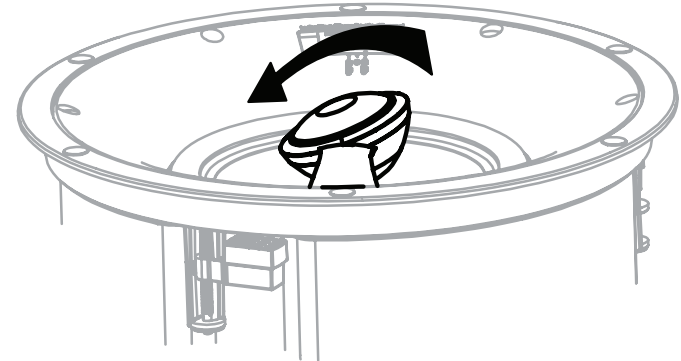


## Tuning: Special Applications

### Single Tweeter Models:

Tweeters on all models can be aimed up to 30 degrees in each direction around the axis of their arms to vary their sound distribute pattern as desired.

DT: For typical dipole or diffuse Bipole applications, angle both tweeters in opposite directions at their 30 degree extremes.



### Dual Tweeter Models:

There are three primary applications for DT (Dual Tweeter) models. Each application requires a different combination of Tweeter Orientation & Bipole/Dipole Switch setting on the front baffle and Input Connections & Stereo/Mono Switch setting on the back.

#### Stereo Mode (Factory Default)

Plays both channels of a two-channel system through a single speaker. This is appropriate for areas where stereo separation is not desired, such as bathrooms, dressing rooms, hallways, etc. This is the default setting as the speaker is delivered to you from the factory. Both tweeters are in phase.

