

# GOLD MINIMONITOR

IN-WALL, IN-CEILING, IN-ROOM



## GOLD MINIMONITOR

IN-WALL, IN-CEILING, IN-ROOM

Triad's Gold MiniMonitors are a leaders in the high-end speaker industry, exhibiting a traditional, two-way compact design taken to the highest level for true audiophile quality. The speakers in this series suit a variety of custom applications where a full-range, upscale solution is required with a minimal form factor. They feature a Scan-Speak Revelator® driver, acclaimed as one of finest performers in the business, and a premium tweeter for authentic, intricate sound reproduction. If desired, the in-wall and in-ceiling versions can serve as high-quality components of surround systems. Each model performs effectively in two-channel systems and, paired with Triad subs for extended bass response, render low frequencies with clarity and warmth.

Handcrafted in the US using the finest materials and components, Triad's fully engineered, sealed, and internally braced MDF enclosures deliver intricate acoustics and effortless playback, actualizing the artist's intent. Triad's Gold MiniMonitors offer a professional-grade audiophile experience, achieving unobtrusive elegance while retaining the integrity of sound. Triad's Gold MiniMonitor epitomizes the best of high-end, two-channel audio, delivering exceptional sound with openness, detail, and authority.

## FEATURES

- Compact, two-way design
- Fully engineered, premium MDF enclosure
- Acoustic suspension

### IN-WALL

- AcoustiPerf frameless metal grill
- Minimum of 6" stud depth required for installation
- Custom paint matching available

### IN-CEILING

- AcoustiPerf frameless metal grill
- Two-way design with 45° baffle angle directs sound to the listener
- Custom paint matching available

### IN-ROOM

- Acoustic cloth grill
- Veneer or custom finishes available

# GOLD MINIMONITOR IN-WALL, IN-CEILING, IN-ROOM

## SPECIFICATIONS

### MATERIALS

Tweeter count	1
Tweeter size	1" (25 mm)
Tweeter type	Fabric dome
Woofer count	1
Woofer size	6 1/4" (16 cm)
Woofer type	Paper/fiber blend

### IN-CEILING/8

Tweeter count	1
Tweeter size	1" (25 mm)
Tweeter type	Fabric dome
Woofer count	1
Woofer size	6 1/4" (16 cm)
Woofer type	Paper/fiber blend

### IN-ROOM

Tweeter count	1
Tweeter size	1" (25 mm)
Tweeter type	Fabric dome
Woofer count	1
Woofer size	6 1/4" (16 cm)
Woofer type	Paper/fiber blend

### PERFORMANCE

Recommended amplifier power	50 - 150W
Impedance	4 ohm
Sensitivity (dB @ 2.83V, 1 m)	87 dB
Frequency response (+/- 3 dB)	50 Hz - 20 kHz

### IN-WALL/6

Recommended amplifier power	50 - 150W
Impedance	4 ohm
Sensitivity (dB @ 2.83V, 1 m)	87 dB
Frequency response (+/- 3 dB)	50 Hz - 20 kHz

### IN-CEILING/8

Recommended amplifier power	50 - 150W
Impedance	4 ohm
Sensitivity (dB @ 2.83V, 1 m)	87 dB
Frequency response (+/- 3 dB)	50 Hz - 20 kHz

### IN-ROOM

Recommended amplifier power	50 - 150W
Impedance	4 ohm
Sensitivity (dB @ 2.83V, 1 m)	86 dB
Frequency response (+/- 3 dB)	55 Hz - 20 kHz

### DIMENSIONS

Cabinet specifications (L x W x D)

### IN-WALL/6

19 x 10 3/4 x 6"  
(48.3 x 27.3 x 15.2 cm)

### IN-CEILING/8

13 1/2 x 13 1/2 x 8"  
(34.3 x 34.3 x 20.3 cm)

### IN-ROOM

Without grill: 13 1/2 x 8 3/4 x 11 1/16"  
(34.3 x 22.2 x 28.1 cm)

Hole cutout (L x W)

19 1/8 x 10 7/8"  
(48.5 x 27.6 cm)

13 5/8 x 13 5/8"  
(34.6 x 34.6 cm)

-

Frameless grill dimensions (L x W)

20 5/16 x 12 1/16"  
(51.6 x 30.6 cm)

14 13/16 x 14 13/16"  
(37.6 x 37.6 cm)

-

NCB size

C

G

-

Product weight (each)

25 lb (11.3 kg)

25 lb (11.3 kg)

24 lb (10.9 kg)

Shipping weight (each)

28 lb (12.7 kg)

28 lb (12.7 kg)

27 lb (12.2 kg)

### PRODUCT NUMBERS

Painted finish

[46504-1000-2](#)

-

[26004-4000-2](#)

Veneer finish

-

-

[26004-6000-2](#)

Right side mounting

-

[56604-1100-2](#)

-

Left side mounting

-

[56604-1200-2](#)

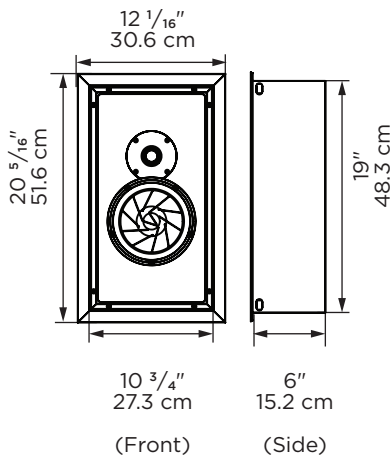
-

Product page

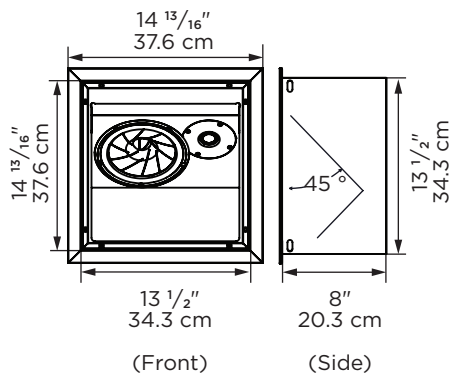


triadspkrs.co/  
gldminimon

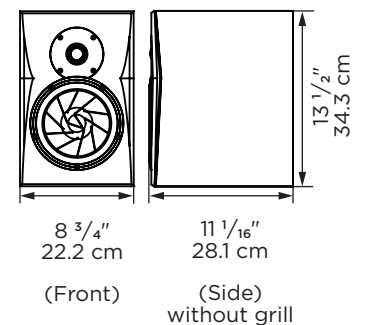
## DIMENSIONS



IN-WALL



IN-CEILING



IN-ROOM