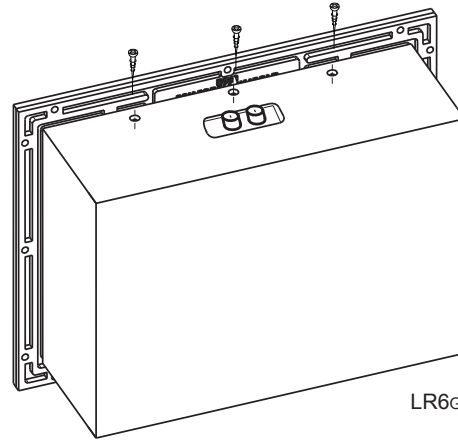
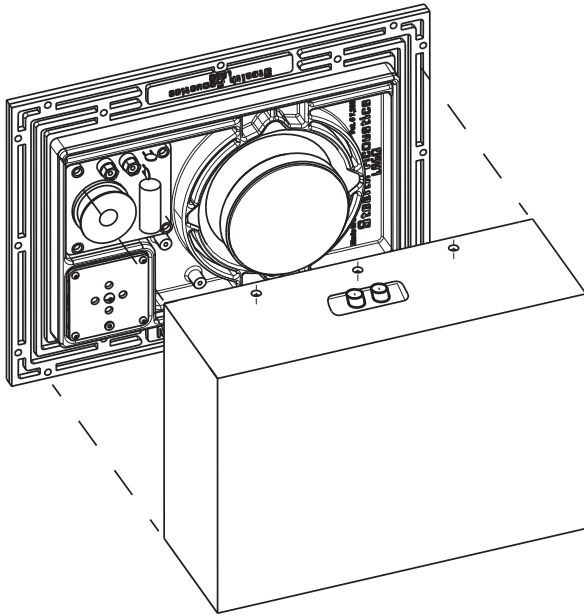


## WOOD BACK BOX



LR6g with BX-12 shown

Must install Place Saver™ to ensure proper rough opening.

### Recommended Applications:

The BX box is ideal for both new construction and when retrofitting Stealth speakers into existing walls or ceilings where there are no plenum requirements. The BX enclosure helps with sound isolation and speaker performance

### Construction:

Constructed of man-made wood, The BX back boxes are shipped assembled and painted. A terminal cup with speaker wire pigtailed allow the back box to be attached

to the speaker before the speaker is installed. Roxul™ insulation is included for the interior of the box.

### Architectural and Engineering Specifications:

The BX back box shall be constructed of man-made wood product. The BX series back boxes shall require a mounting depth of 3-1/2" and should be attached to the rear of the speaker prior to installation. The back box shall include all mounting screws and insulation.

### Pre-Installation Note:

Use the appropriate Stealth Acoustic PlaceSaver™ to reserve the location of the speakers during the rough-in stage of installation. The back boxes install with the speakers after the drywall has been hung, but before taping begins.

### Dimensions & Weights:

Model	For Speakers	Width	Height	Depth	Ship Weight
BX-30	LR3g, B30g	11" (279 mm)	28" (711 mm)	3-1/2" (89 mm)	12 lbs. (5.44 kg)
BX-22	LR8g, B22g	11" (279 mm)	20-1/4" (514 mm)	3-1/2" (89 mm)	10 lbs. (4.5 kg)
BX-22SLR	SLR8g	11" (279 mm)	20-1/4" (514 mm)	3-1/2" (89 mm)	10 lbs. (4.5 kg)
BX-12	LR6g	10" (254 mm)	14" (356 mm)	3-1/2" (89 mm)	6 lbs. (2.7 kg)