

INVISIBLE SUBWOOFER SYSTEM

Recommended Applications:

- Multi-Room Audio Systems
- Added Bass for Foreground Music Systems
- Added Bass for Background Music Systems
- Home Theater / Surround Sound

Recommended Installations:

- Flush mounted in walls or ceilings constructed of wood or steel framing with 1/2" (12.7 mm) or thicker gypsum wallboard.
- Minimum 2-1/2" (64 mm) cavity depth required.

Performance:

- 80 Watts RMS
- 30Hz to 150Hz (see Figure 1)
- 50W minimum recommended power

On-Site Finish Options:

- Finish options include latex paint, flat finish, orange peel texture, light plaster, light wallpaper, light fabric, wood veneer, and other selected approved finishes.



Front view



Rear view

The Stealth Acoustics Model B22G is a compact, two-panel monaural subwoofer speaker system that becomes completely invisible after installation. The subwoofer has a rigid frame that attaches directly to standard structural framing. The paintable active diaphragm face is bonded to the frame of the speaker panel, creating an active area surrounded by a stable mounting area. Installation instructions are shown on a paper overlay that is to be removed before installation. The overlay can also be used as a cutting template for retrofitting the speakers into existing wallboard.

The B22G may be installed in either the wall or ceiling and on-site finishing options include latex paint, light wallpaper, fabrics and selected texture coats. There is no need for nonstandard wallboard finishing materials. Advanced finishing methods may be supported using special techniques.

Ideal for any surround sound, foreground

music or whole-house audio system that needs extra bass output, each B22G panel incorporates an acoustically coupled, high-quality, high-power 8" (203 mm) cone woofer. The panels work in pairs as a monaural output subwoofer. This two-panel system allows each panel to be placed wherever they perform best, free of visual concerns that may conflict with architectural features. B22G panels may be mounted separately or stacked to achieve desired acoustical results. For stereo subwoofers, four panels should be employed.

Using acoustic lever principals, the B22G provides exceptional bass output from 30Hz to 150Hz by trading off excursion for surface area to propagate bass waveforms. Each panel has 228 sq. in. (579 sq. cm) of active area for a total of 456 sq. in. (1158 sq. cm) for both panels.

For proper registration, each speaker must be installed so that the surface of the perimeter edge is flush with the

adjoining wallboard. When correctly in place, the surface of the speaker face panel extends above the height of the wallboard by 1/16" (1.6 mm). This is done to allow space for the tape and joint compound needed to blend the panel into the wall. Shims are included to allow for mounting in wallboard thicker than 1/2" (12.7 mm).

Stealth Acoustics recommends the companion Model 255R 250-watt subwoofer amplifier/crossover as a matched amplifier for the B22G subwoofer speakers. Stealth Acoustics also offers a line of full-range speaker panels that, when combined with the B22G, delivers a complete, totally invisible audio solution.

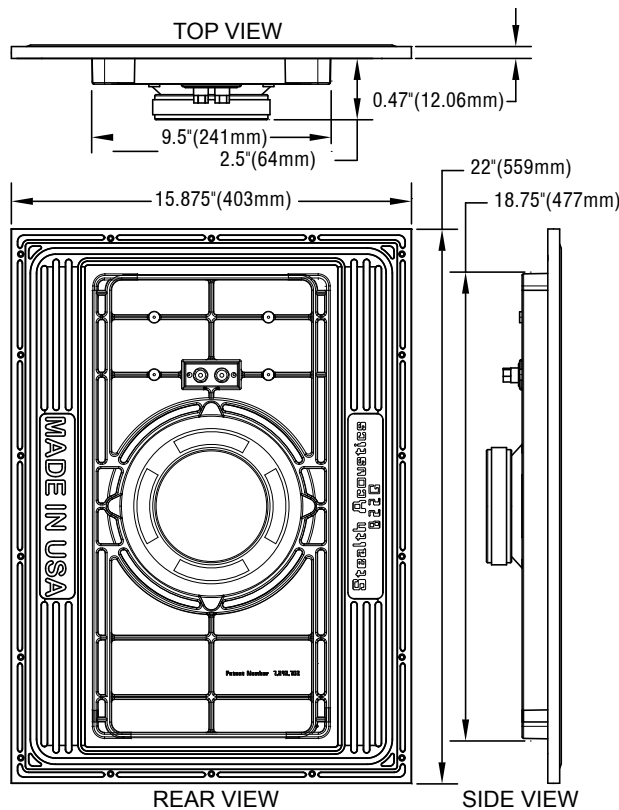
All Stealth Acoustic products are covered by a 5 year manufacturer's warranty as well as an optional 15 year extended warranty.

Architectural & Engineering Specifications

The compact subwoofer shall be an invisible, low frequency flat-panel system, with an operating range from 30Hz to 150Hz. It shall be a two panel system with each panel having a total radiating surface of 228 sq. in (1470 sq. cm). Each panel shall be driven by one 8" (203 mm) low profile woofer with a nominal impedance of 8Ω per panel and a power handling of 80 watts RMS according to EIA standard RS-426-A.

The subwoofer shall fit into walls and ceilings with standard wood or steel stud construction and a minimum 2-1/2" (63.5mm) depth cavity. The subwoofer shall mount directly to the structural framing and have the capability of seamlessly adjoining 1/2" (12.7 mm) or thicker gypsum wallboard. The minimum required distance between framing members shall be 9-1/2" (241 mm). Face panel finishing methods shall be consistent with normal gypsum wallboard finishing techniques and may include latex paint, light wallpaper, light fabric, wood veneer, and other selected approved finishes.

The subwoofer shall be the Stealth Acoustics Model B22G and shall carry a 5 year manufacturer's warranty.



Product Specifications

Frequency Response:

30Hz to 150Hz (see Figure 1)

Power Capacity:

80 watts RMS
50 watts minimum recommended power

Sensitivity:

86 dB (1 watt / 1 meter)

Driver Components:

One 8" (203 mm) low profile woofer with one 1-1/2" (38 mm) voice coil per panel
One ceramic 20 oz. (622 gr) magnet

System Impedance:

8Ω nominal.

Polar Dispersion:

170 degrees vertical and horizontal

Crossover Frequency:

Requires amplifier with low pass filter. 80Hz with 18 dB slope recommended.

Dimensions:

Width: 15-7/8" (403 mm)
Height: 22" (559 mm)
Mounting Depth: 2-1/2" (64 mm)

Product Weight:

14 lbs. (6.3 kg) each

Shipping Weight:

30 lbs. (13.6 kg) per pair

Included Accessories:

Mounting shims
Mounting screws
Terminal wrench

Optional Accessories:

- PS-22 PlaceSaver™
- 255R Stealth Acoustic Subwoofer Amplifier
- BX-22 MDF Acoustic Back Box
- MBX-22 UL Listed Metal Back Box
- MBA-22 UL Listed Metal Back Box - Adjustable
- MBC-22 Concrete Back Box
- SK-1 Shim Kit
- WARRANTY Extended Warranty - 15 year

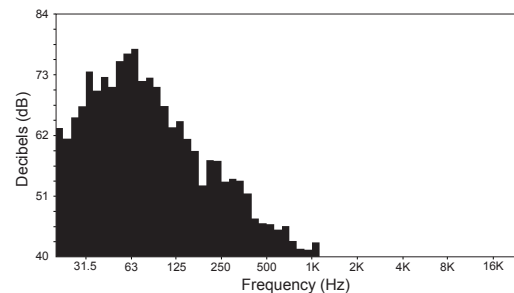


Figure 1: On-axis frequency response in standard stud wall, with four coats of latex paint applied to the speaker face panel.