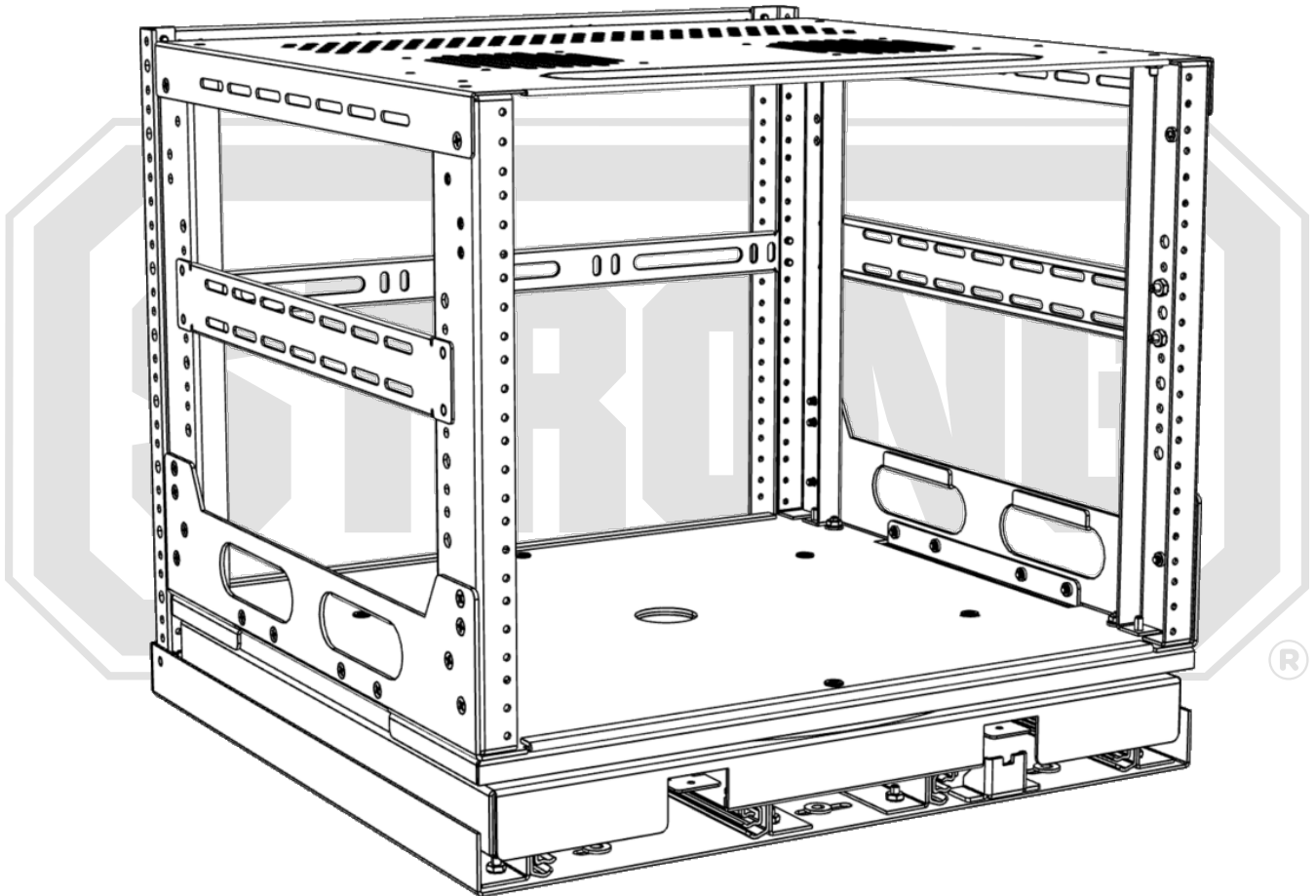




SR-CAB-SLIDE Series
In-Cabinet Slide-Out Rack



Install Guide

Overview

Installing in a tight space? Can't see what's going on at the rear of the rack? The Strong In-Cabinet Slide-Out Rack is for you.

Install and service your gear easily with this sliding and rotating rack. Pull the rack all the way out and spin it up to 180° for full access.

The rack can hold up to 300 lbs. / 136 kg, even when fully extended. The ball-bearing glides ensure a nice, smooth ride.

For safety and stability, the rack has two locking features: a glide lock keeps the rack extended, and a rotation lock holds it stationary at angles of 30°, 60°, and 180°.

Space Required

For full utility, ensure you allow adequate clearance. The rack requires 23.75" / 600mm in front of the base plate, and 3.625" / 90mm to each side (total spin diameter: 26.75" / 680mm).

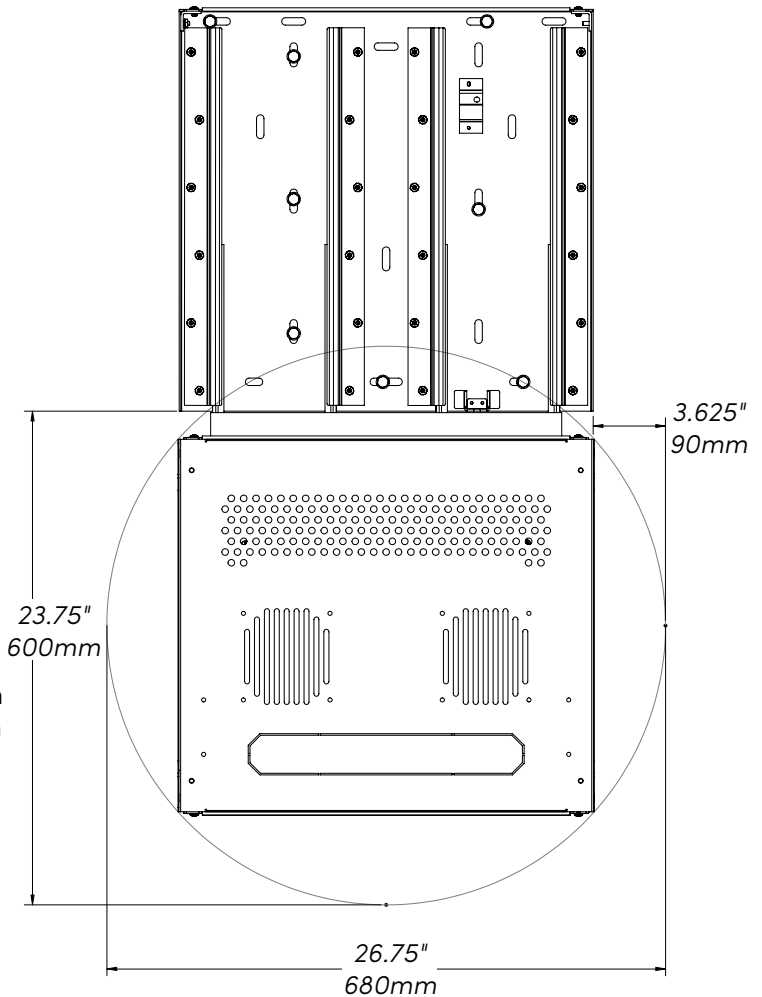
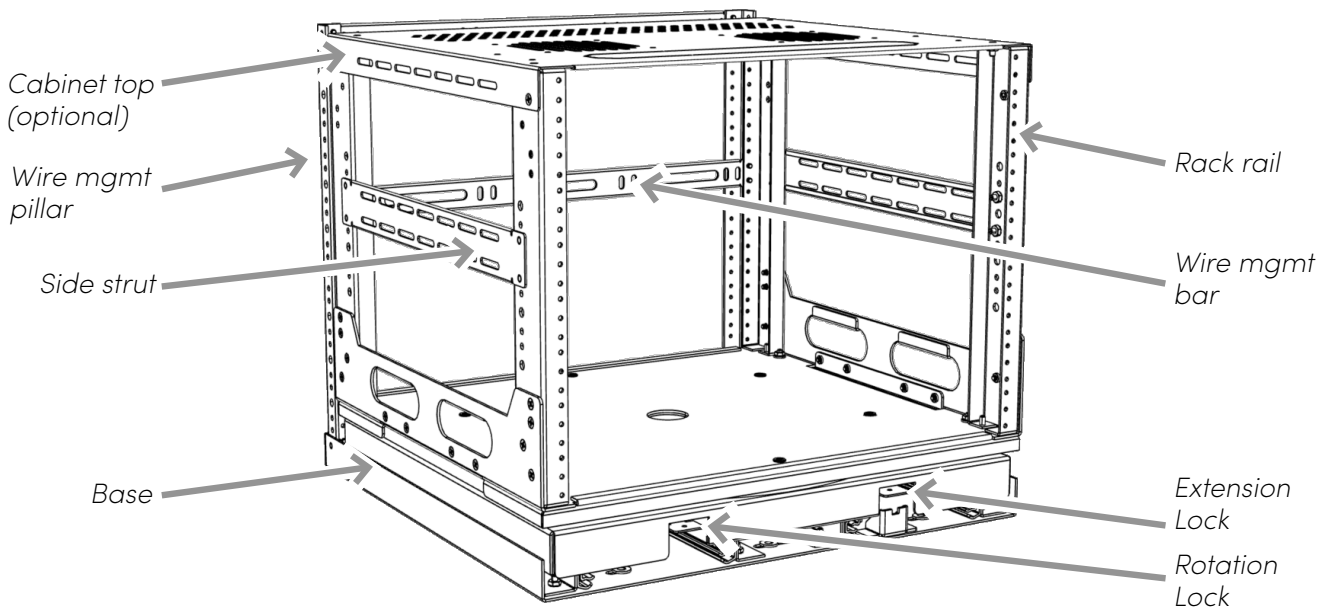
See the diagram at right.

Required Tools

Phillips screwdriver

3/8" box wrench

Summary of Parts in an Assembled Rack



Contents

Box 1: Rack

Part	Illustration	8U-18U	21U-24U	28U-40U
Rack rail (A)		4	4	4
Wire management pillar (B)		2	2	2
Wire management bars (C)		4	6	7
Side struts (D)		2	4	4
Flathead screw (E, in bag)		16	16	16
Panhead screw (F, in bag)		20	28	32
Lock nut (G, in bag)		14	22	22

Box 2: Base

Part	Illustration	Qty
Rack base (H)		1
Wood lag screw (5/16"×1.75") (I)		8
Washer (5/16") (J)		8

Box 3: Top (optional)

Part	Illustration	Qty
Cabinet top (K)		1
Flathead screw (E)		4
Lock nut (G)		4

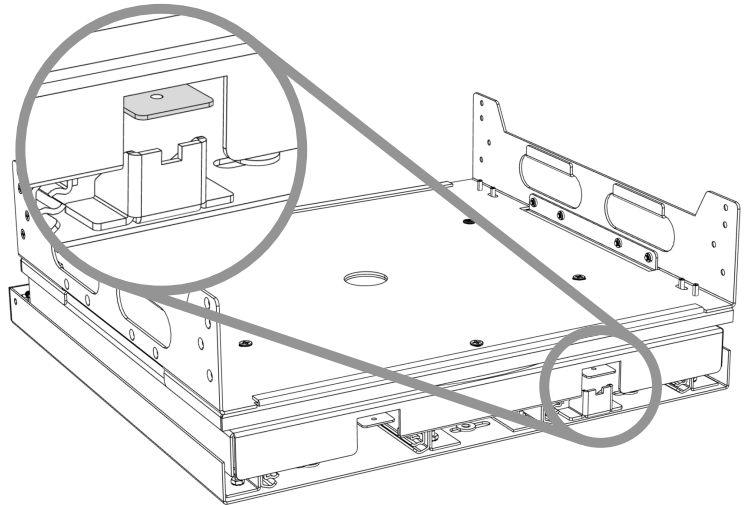
Installation

Open the Rack Base

Press down on the right lever (shown) to unlock the rack base (H). Slide the rack base fully out to expose the base plate.

Caution: Multiple pinch points!

Attention : plusieurs points de pincement.

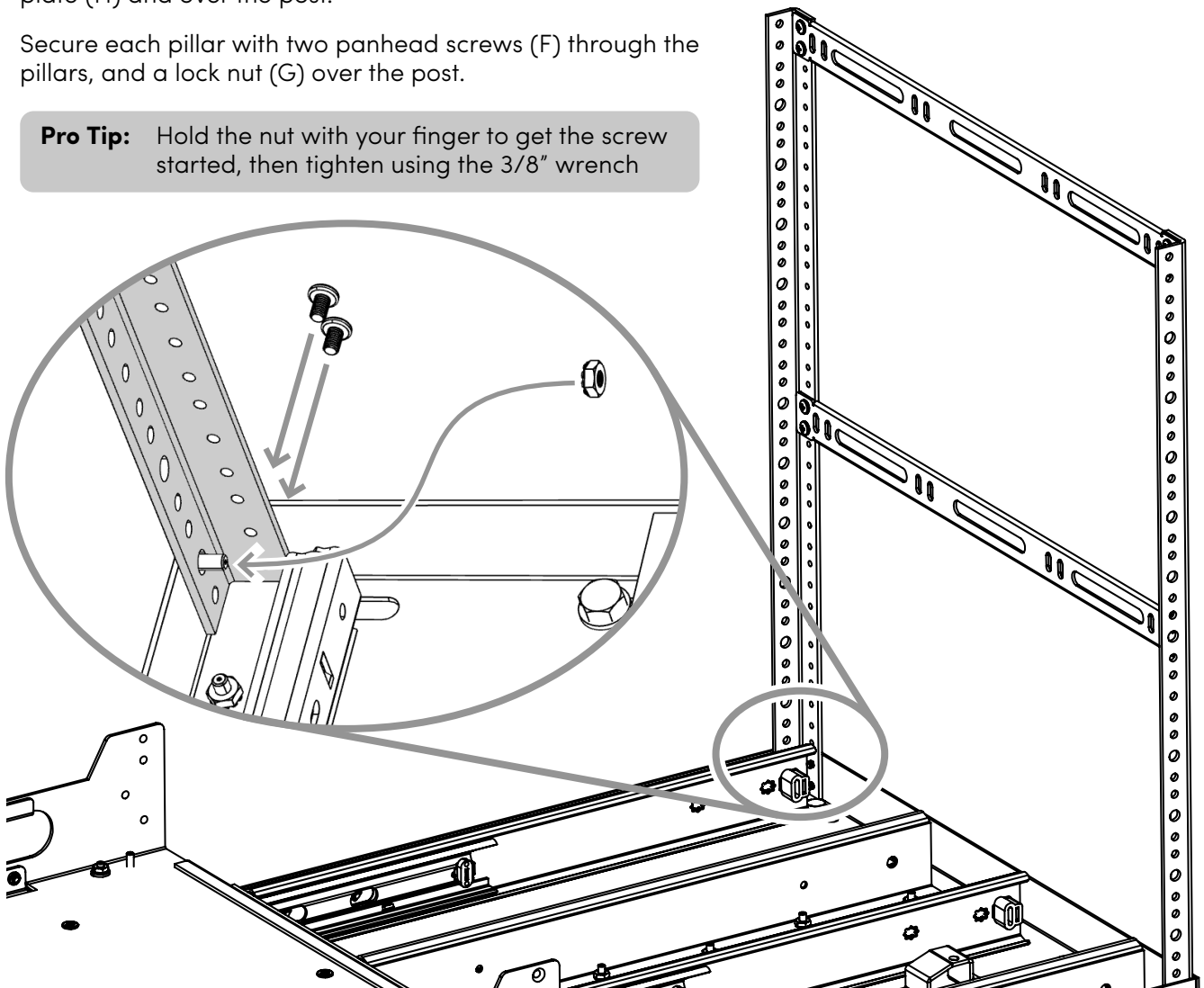


Attach Wire Management Pillars to the Rack Base

Find the wire management pillars (B). Slide the wire management pillars into the **inside** of the base plate (H) and over the post.

Secure each pillar with two panhead screws (F) through the pillars, and a lock nut (G) over the post.

Pro Tip: Hold the nut with your finger to get the screw started, then tighten using the 3/8" wrench



Attach Wire Management Bars to the Pillars

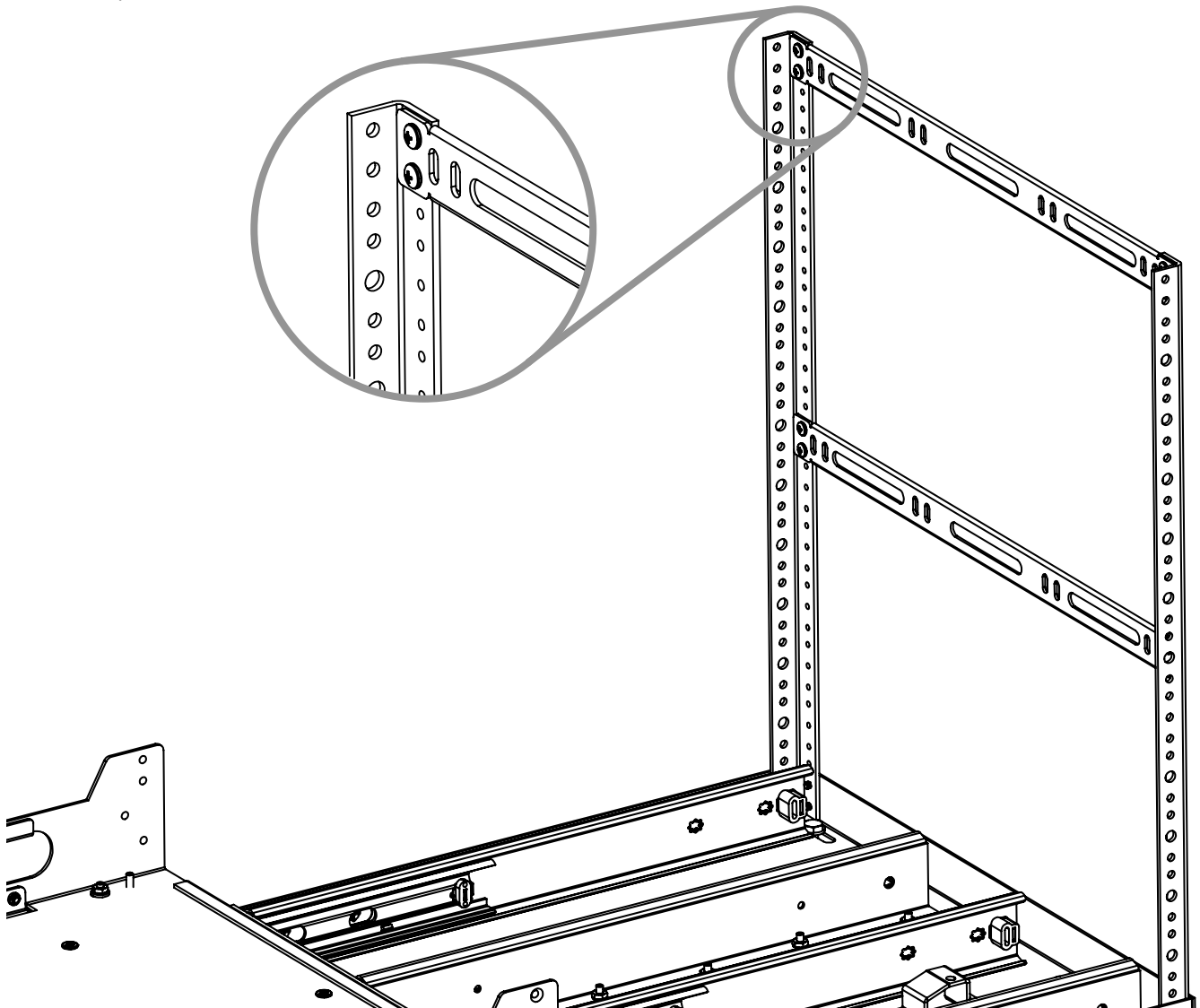
Attach a wire management bar (C) to the top of the wire management pillars (B) and secure with four panhead screws (F) with lock nuts (G).

Pro Tip: Install the wire management bar to the *inside* face of the wire management pillars to allow for post-install adjustment. See detail, below.

Add one additional wire management bar (C) to wire management the pillars (B) for racks up to 24U, as shown below.

For racks from 28U–48U, add two additional wire management bars (C).

This wire management bar helps maintain a suitable amount of slack as needed to slide the rack in and out safely.



Pro Tip: As manufactured, the wire management bars (C) and side struts (D) are not effectively bonded to the protective grounding terminal: To effectively bond these to the rack, use paint-cutting nuts to ensure metal-to-metal contact.

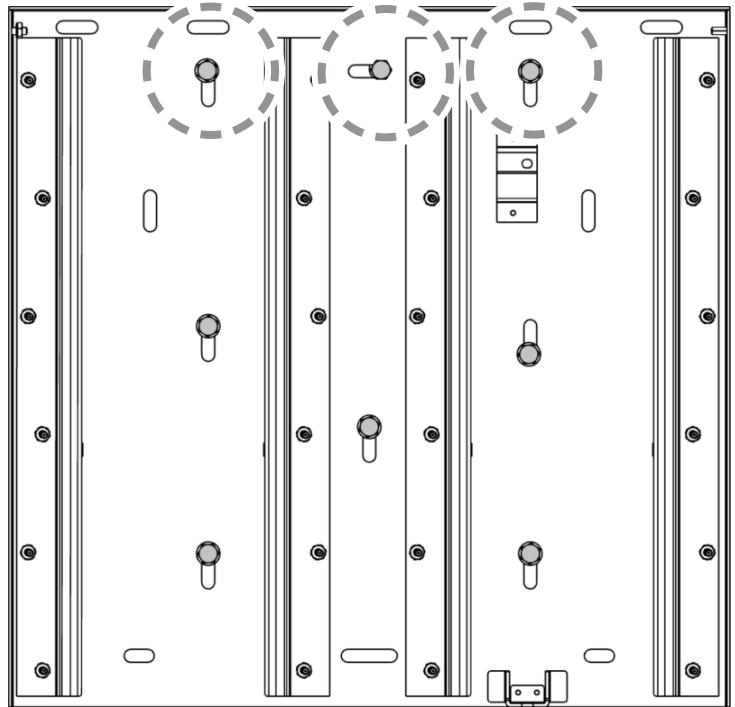
Secure the Base Plate

The rack base must be installed on minimum 3/4" (nominal) plywood.

Place the rack base (H) in its install location. Adjust the position to provide spacing for power cords and cabling.

Extend the slide to expose the first three anchor locations (circled at right). Mark the locations and drill 3/16" pilot holes. Secure the base using lag screws (I) and washers (J).

Extend the slide fully. Drill holes and insert the remaining five lag screws (I) and washers (J) as shown at right.

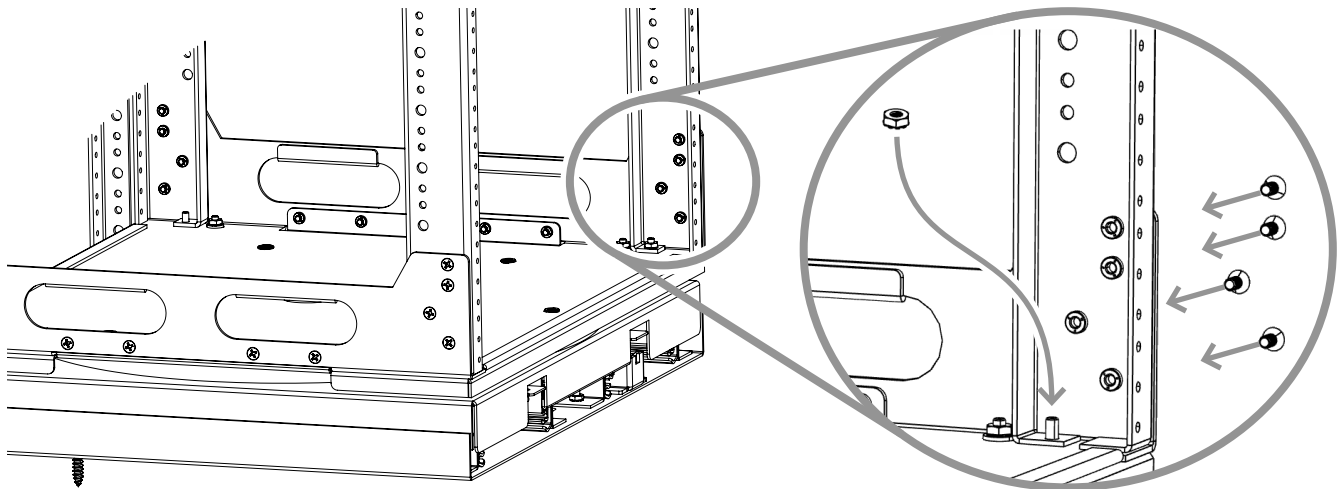


Install the Rack Rails

Pro Tip: When installing the rack rails, extend and rotate the base for easier access.

Align each of the four rack rails (A) with the flange in one corner of the rack base (H). Slide the rail down over the stud in the rack base and secure it with a lock nut (G), as shown.

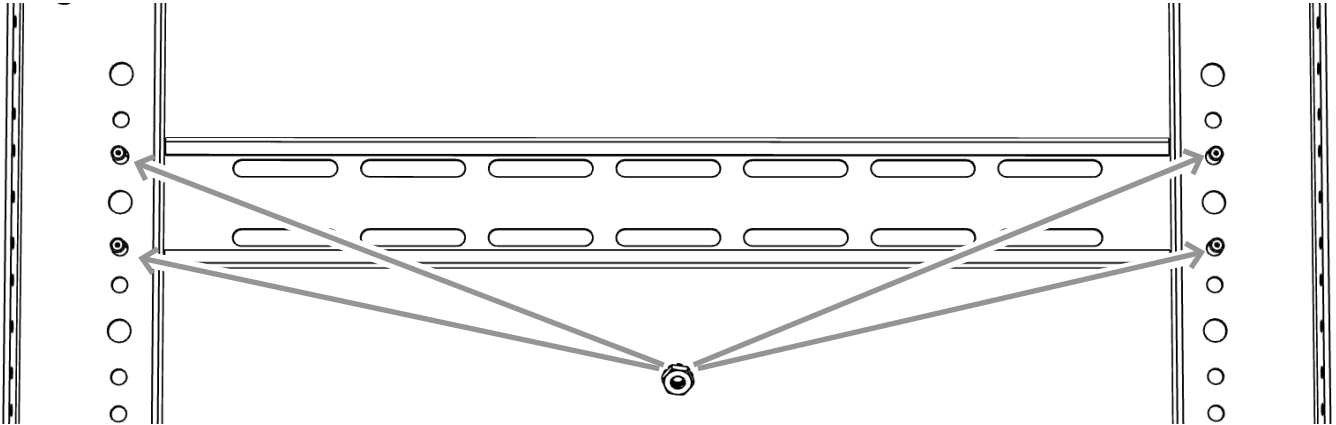
Insert four flathead screws (E) through the base flange and into the rack rail as shown.



Install Side Struts

Install side struts (D) onto the outside of the rack rails (A) on the left and right sides, spacing the struts evenly on the rack rails. Secure each strut with four lock nuts (G) on the *interior* side of the rack rail. If you do not install a cabinet top (K) on your rack, place a pair of side struts (D) and a pair of wire management bars (C) near the top of the rack rails.

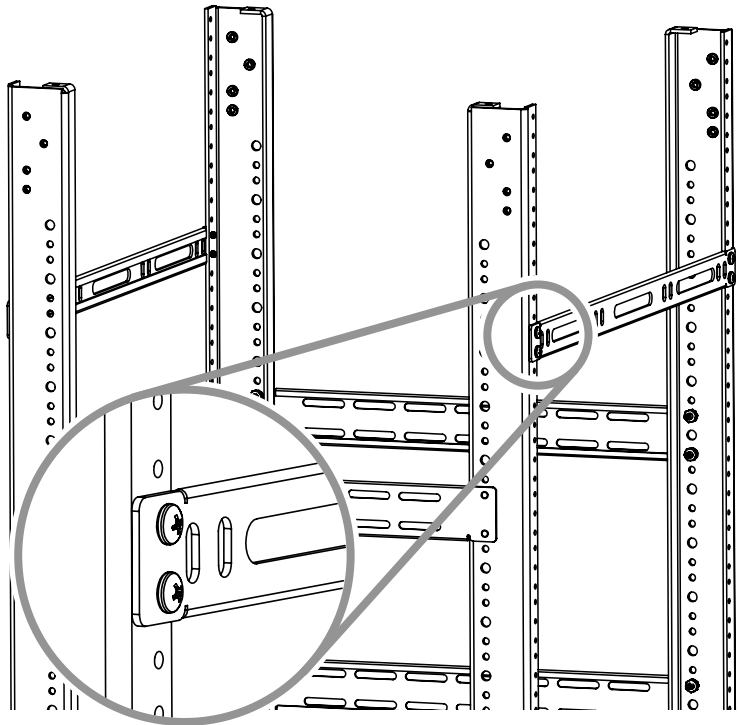
You must install all of the struts provided with the rack.



Install Rack Wire Management

Attach wire management bars (C) as needed to the rear and/or front of the rack.

We recommend that you attach wire management bars for added stability even if they are not used for wire management.



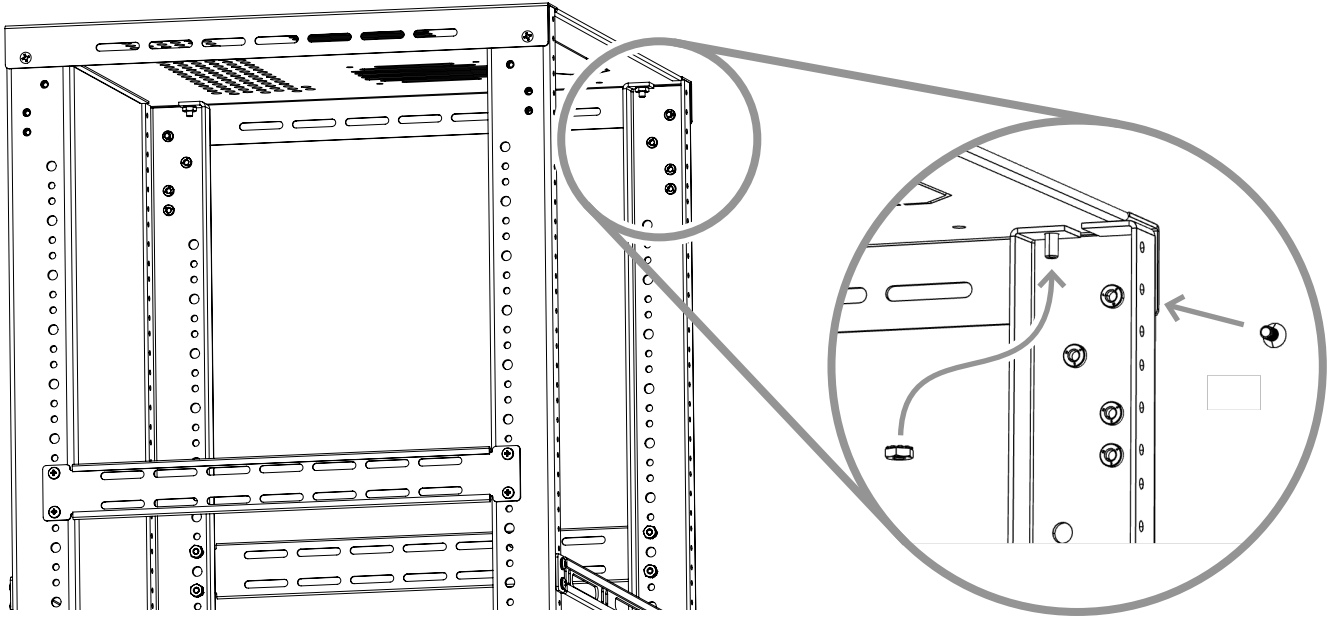
Install Equipment

This cabinet is rated for **300 lb maximum load**. Do not exceed this amount. Install the shelves and equipment in such a manner that the bottom half of the rack contains 60% of the total weight. We strongly advise that any uninterruptible power supply (UPS) be placed at the very bottom of the rack.

Pro Tip: Leave enough slack in the wire to allow for sliding and rotation when servicing equipment.



Install the Cabinet Top (Optional)



Place the cabinet top (K) (sold separately) onto the top of the rack rails (A), ensuring that the studs in the cabinet top slide through the holes in each rack rail.

Secure each stud with a lock nut (G), as shown. Insert one flathead screw (E) through each corner of the cabinet top flange and into the rack rail as shown.

Extending and Rotating the Rack

The rack can be extended and retracted from the base. In each case, the lever on the right of the base locks the slider in position (see “Overview” on page 2 and “Open the Rack Base” on page 4).

When extended, the rack base can also be rotated. Press the left lever to unlock the base for rotation. When rotated, the base locks at 60°, 90° and 180°.

Technical Support

For chat and telephone, visit ctrl4.co/techsupport • Email: TechSupport@SnapOne.com
Visit tech.control4.com/technician for discussions, instructional videos, news, and more.

Warranty and Legal Notices

Find details of the product’s Limited Warranty and other resources such as regulatory notices and patent and safety information, at snapone.com/legal or request a paper copy from Customer Service at 866.424.4489.

Copyright ©2022, Snap One, LLC. All rights reserved. Snap One and its respective logos are registered trademarks or trademarks of Snap One, LLC, in the United States and/or other countries. Control4 and Strong are also registered trademarks or trademarks of Snap One, LLC. Other names and brands may be claimed as the property of their respective owners. Snap One makes no claim that the information contained herein covers all installation scenarios and contingencies, or product use risks. Information within this specification subject to change without notice.

220603-1430

Part # 200-00769