

## SL EVOLVE 3-1

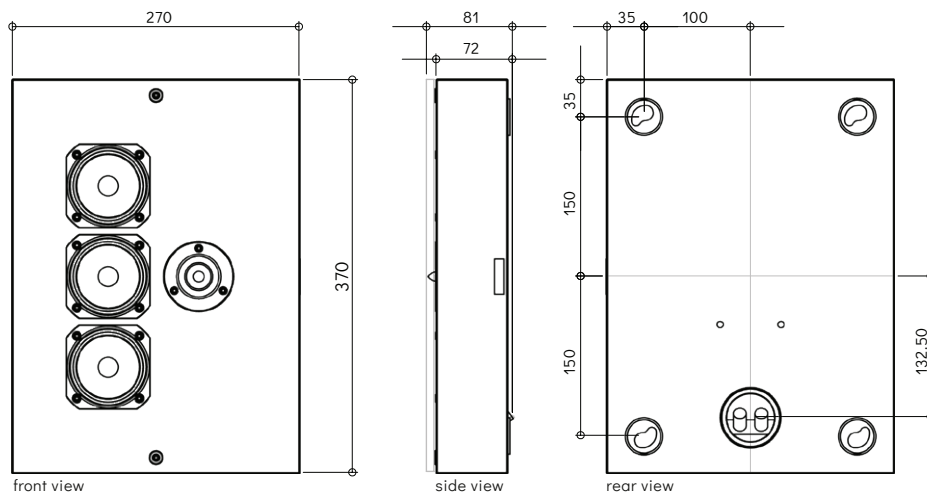
The SL Evolve Series is Artcoustic's most versatile range of products. Its slimline profile, combined with a powerful and articulated performance, makes it the ideal choice for high-end cinema, Hi-Fi and, multi-room audio installations.

Operating Range: 60 Hz (-3 dB) to 40 kHz  
 Sensitivity: 94 dB  
 Maximum Power Handling: 90 Watt  
 Impedance: 4 ohms nominal  
 Average Peak SPL: 113 dB  
 Weight: 3.8 kg  
 Dimensions: H: 370 W: 270 D: 72 mm  
 Cabinet: Black, White, RAL, NCS  
 Screen: Black, White, RAL, NCS, Artcoustic Art Gallery



## SCHEMATICS

dimensions are in mm



## POLAR RESPONSE

horizontal polar response 1m

16000Hz - - - - -  
 6500Hz - - - - -  
 2500Hz - - - - -  
 1000Hz - - - - -

vertical polar response 1m

3D polar response 1m

