

QS Link Power Supply

The (W)QSPS-DH-1-75 QS link power supply provides up to 75 Power Draw Units (PDUs) on a QS link. The (W)QSPS-DH-1-75 powers additional compatible accessories and devices, allowing them to be added to a QS system.

Specifications

Model Numbers

- QSPS-DH-1-75
- WQSPS-DH-1-75 (TAA Compliant)

Input Power

- Nominal input voltage: 100–277 V~
- Frequency: 50/60 Hz
- Current consumption, fully loaded (typical):
 - 0.5 A (277 V~)
 - 0.7 A (230 V~)
 - 1.0 A (120 V~)
 - 1.3 A (100 V~)

Power Supply Output

- Nominal output voltage and tolerance: 24 V== / ±1%, 75 Power Draw Units (PDUs)*
- 2.5 A SELV/PELV/NEC® Class 2
- Power Draw Units (PDUs): Supplies 75 PDUs maximum*

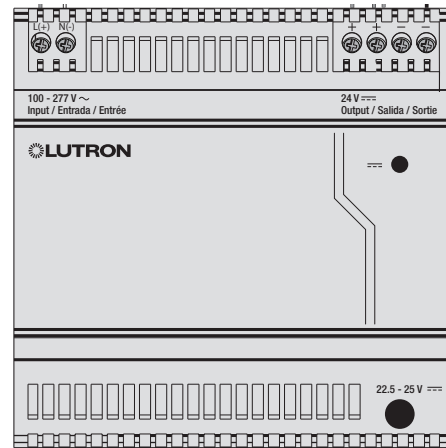
Note: This power supply is NOT rated for use with motorized shades/window treatments.

Environment

- Ambient operating temperature : 32 °F to 131 °F (0 °C to 55 °C).
- Ambient operating humidity: 0% to 90% humidity, non-condensing. Indoor use only.
- Unit generates heat, maximum 28 BTU/hr
- 60 °C maximum calibration point temperature. For more information, see www.lutron.com/TechnicalDocumentLibrary/048466.pdf

Mounting

- Mount using 1.38 in (35 mm) DIN rail in accordance with EN 60715



QSPS-DH-1-75, WQSPS-DH-1-75

Dimensions

- 3.54 in (90 mm) × 3.54 in (90 mm) × 2.40 in (61 mm)

QSPS-DH-1-75 Regulatory Approvals

- UL
- cUL
- CE compliant
- NOM compliant

WQSPS-DH-1-75 Regulatory Approvals

- UL

Efficiency

- Meets the U.S. Department of Energy level VI efficiency standard

Warranty

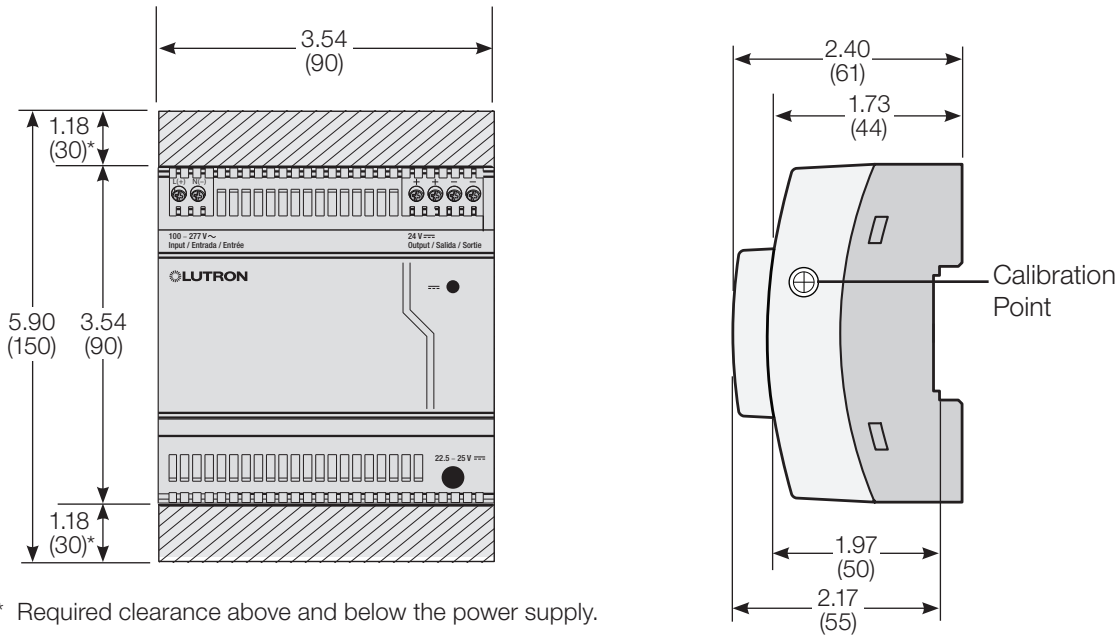
- www.lutron.com/TechnicalDocumentLibrary/3601201A_Commercial_Limited_Warranty.pdf

* Use above this maximum will reduce the lifetime of the supply and void all Lutron warranties. For more information about Power Draw Units (PDUs), please refer to www.lutron.com/TechnicalDocumentLibrary/369405%20pdu%20spec%20submittal.pdf

Job Name:	Model Numbers:
Job Number:	

Dimensions

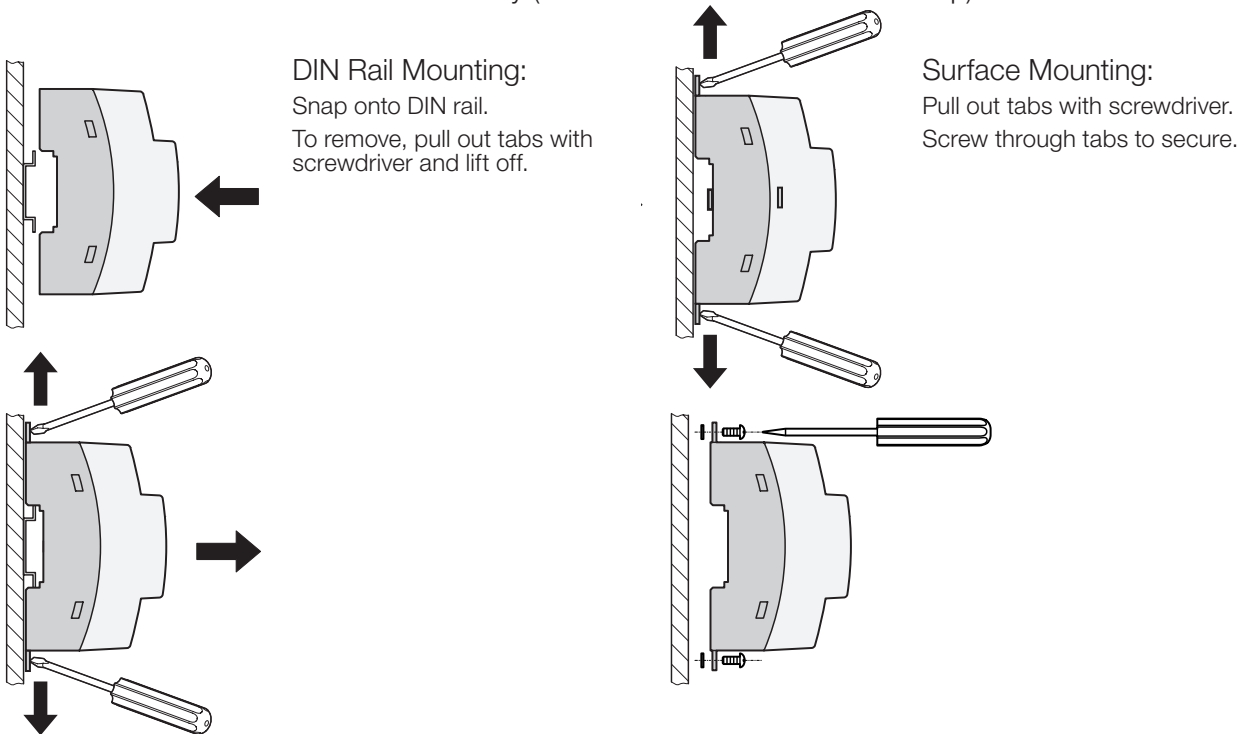
Dimensions shown as: in (mm)



* Required clearance above and below the power supply.

Mounting

- Surface mount using screws, or mount on DIN rail
- Use an IP20 (minimum) rated consumer panel or breaker panel with integrated DIN
- The device must be mounted horizontally (connection terminal blocks on top).

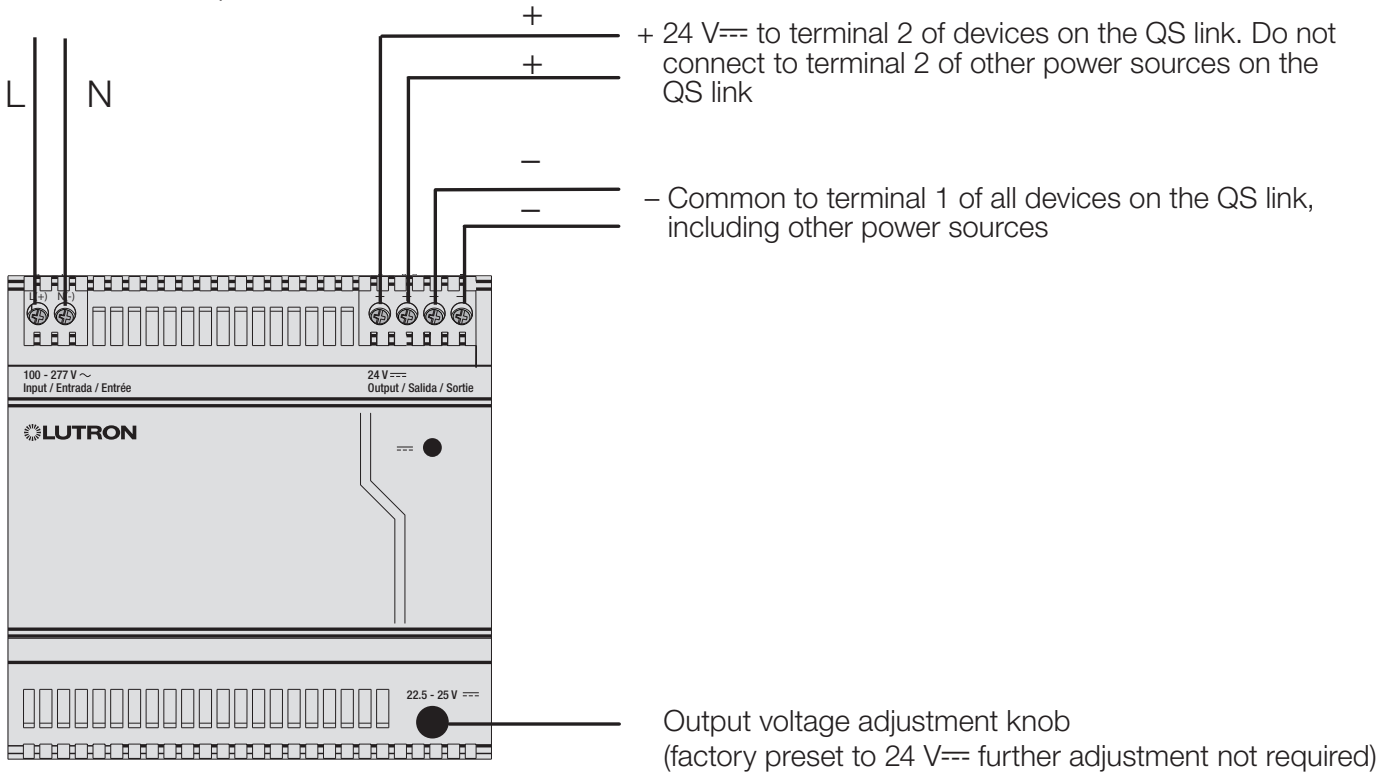


Job Name:	Model Numbers:
Job Number:	

Wiring

- Wire in accordance with national and local electrical codes
- Each terminal accepts one 24 AWG to 12 AWG (0.2 mm² to 2.5 mm²) wire, with 1/4 in (6.5 mm) stripped bare
- Maximum torque: 5.0 in-lb to 7.0 in-lb (0.6 N•m to 0.8 N•m)

Line/Hot (L) and Neutral (N) from distribution panel



QS Link Wiring Length	Wire Gauge	Lutron Cable Part Number
Less than 500 ft (153 m)	Power (terminals 1 and 2) 1 pair 18 AWG (1.0 mm ²)	GRX-CBL-346S (non-plenum) GRX-PCBL-346S (plenum)
	Data (terminals 3 and 4) 1 twisted, shielded pair 22 AWG (0.5 mm ²)	
Up to 2000 ft (610 m)	Power (terminals 1 and 2) 1 pair 12 AWG (4.0 mm ²)	GRX-CBL-46L (non-plenum) GRX-PCBL-46L (plenum)
	Data (terminals 3 and 4) 1 twisted, shielded pair 22 AWG (0.5 mm ²)	

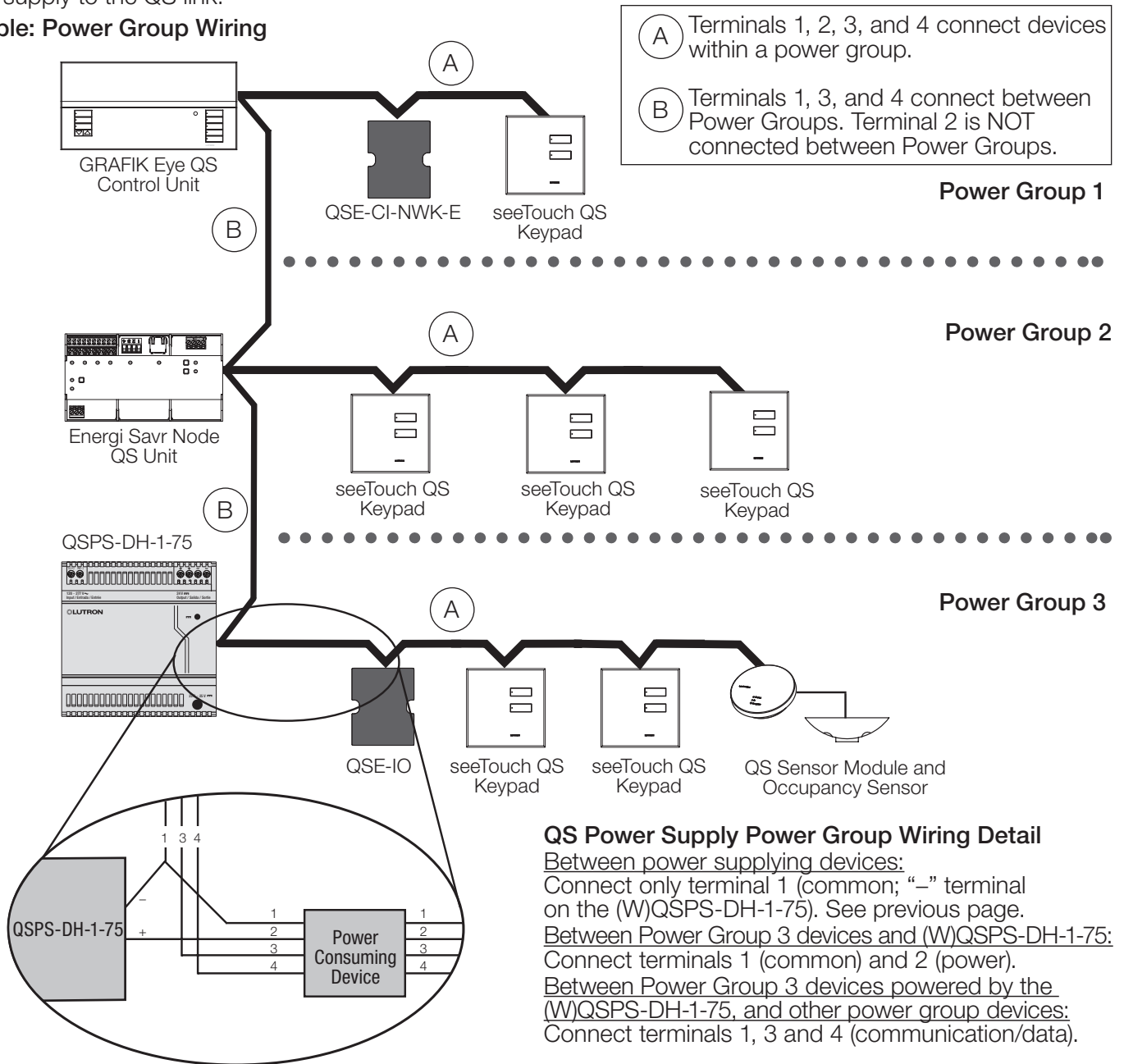
Job Name:	Model Numbers:
Job Number:	

QS Link Power Distribution

On the QS link, there are devices that supply power and devices that consume power. Each device has a specific number of Power Draw Units (PDUs) it either supplies or consumes. A Power Group consists of one device that supplies power and one or more devices that consume power; each Power Group may have only one power-supplying device. Refer to the Power Draw Units (PDUs) on the QS Link Specification Submittal (Lutron P/N 369405) at www.lutron.com for more information regarding PDUs.

Within Power Groups on the QS link, connect all 4 terminals (1, 2, 3, and 4), shown by the letter A in the diagram. Between devices on the QS link that supply power, connect only terminals 1, 3, and 4 (NOT terminal 2), shown by the letter B on the diagram. See **Wiring** section on the previous page for details on wiring the (W)QSPS-DH-1-75 power supply to the QS link.

Example: Power Group Wiring



Job Name:	Model Numbers:
Job Number:	

Power Supply Breaker Feed

(W)QSPS-DH-1-75 power supplies have a large capacitive inrush when first powered. A dedicated breaker feed with no more than the indicated number of power supplies is required to avoid nuisance tripping.

Voltage	Breaker Size/Type	Max (W)QSPS-DH-1-75 Units
100 V~ to 127 V~	15 A QO series standard trip curve	13
	20 A QO series standard trip curve	15
220 V~ to 277 V~	10 A (B trip curve)	2
	10 A (C trip curve)	3
	10 A (D trip curve)	6
	16 A (B trip curve)	3
	16 A (C trip curve)	5
	16 A (D trip curve)	10

The Lutron logo, Lutron, GRAFIK Eye, Energi Savr Node, and seeTouch are trademarks or registered trademarks of Lutron Electronics Co., Inc. in the US and/or other countries. All other product names, logos, and brands are property of their respective owners.

Job Name:	Model Numbers:
Job Number:	