

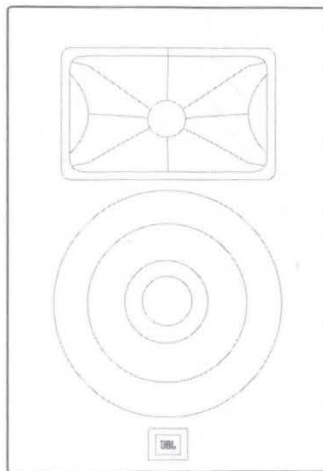
**JBL**

# JBL® STUDIO 6 IN WALL LOUDSPEAKER

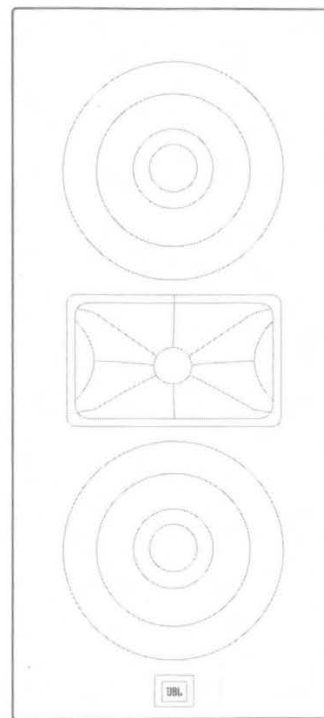
**EN** QUICK START GUIDE

**PTBR** GUIA DE INÍCIO RÁPIDO

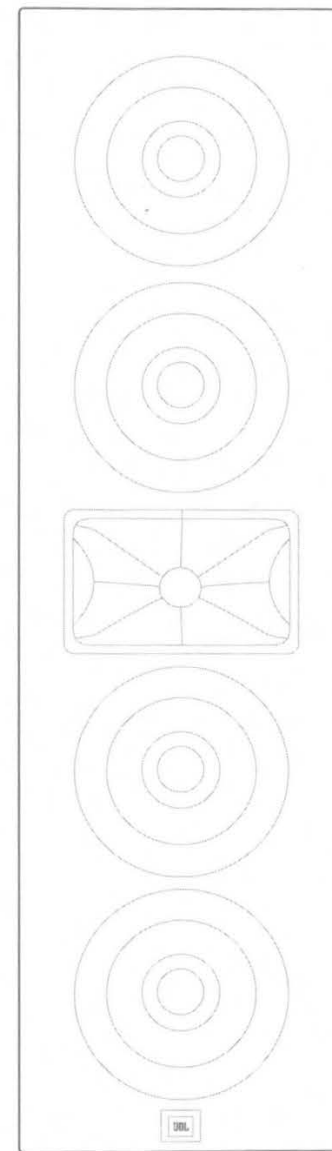
**RU** КРАТКОЕ РУКОВОДСТВО



Studio 6 61W  
Studio 6 81W



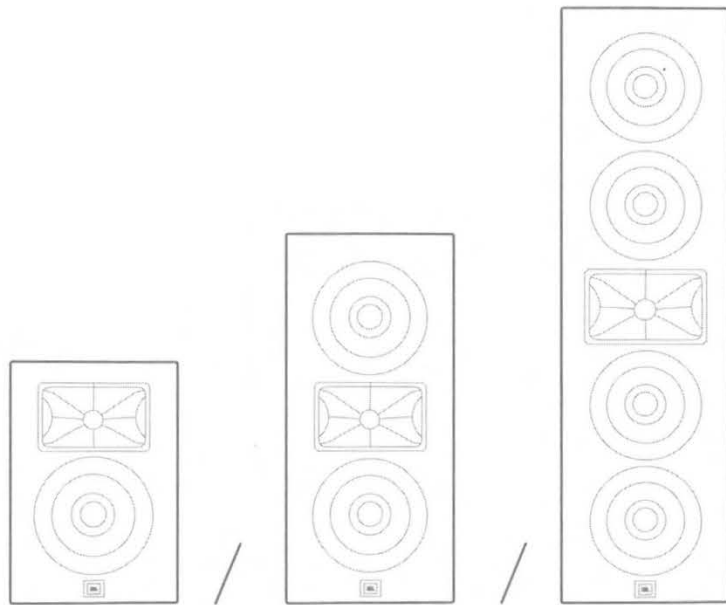
Studio 6 66LCR  
Studio 6 88LCR



Studio 6 Theater

## WHAT'S IN THE BOX

CONTEÚDO DA CAIXA  
КОМПЛЕКТ ПОСТАВКИ

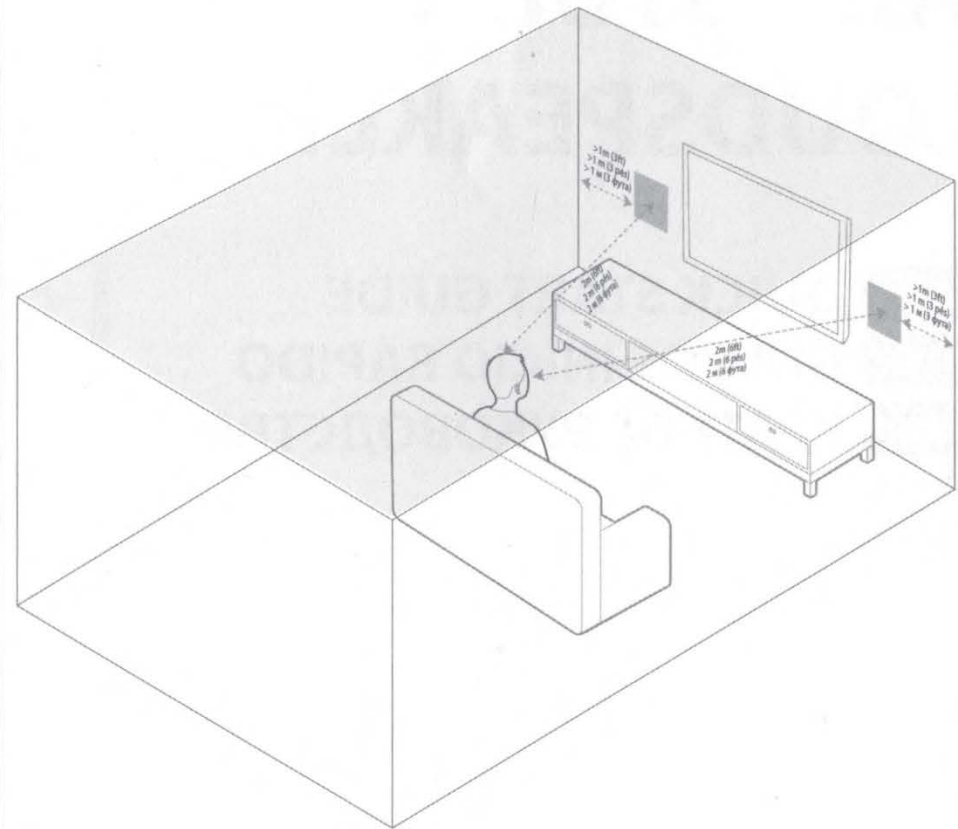


(66LCR / 88LCR /  
Theater)



## PLACEMENT (In-wall Stereo)

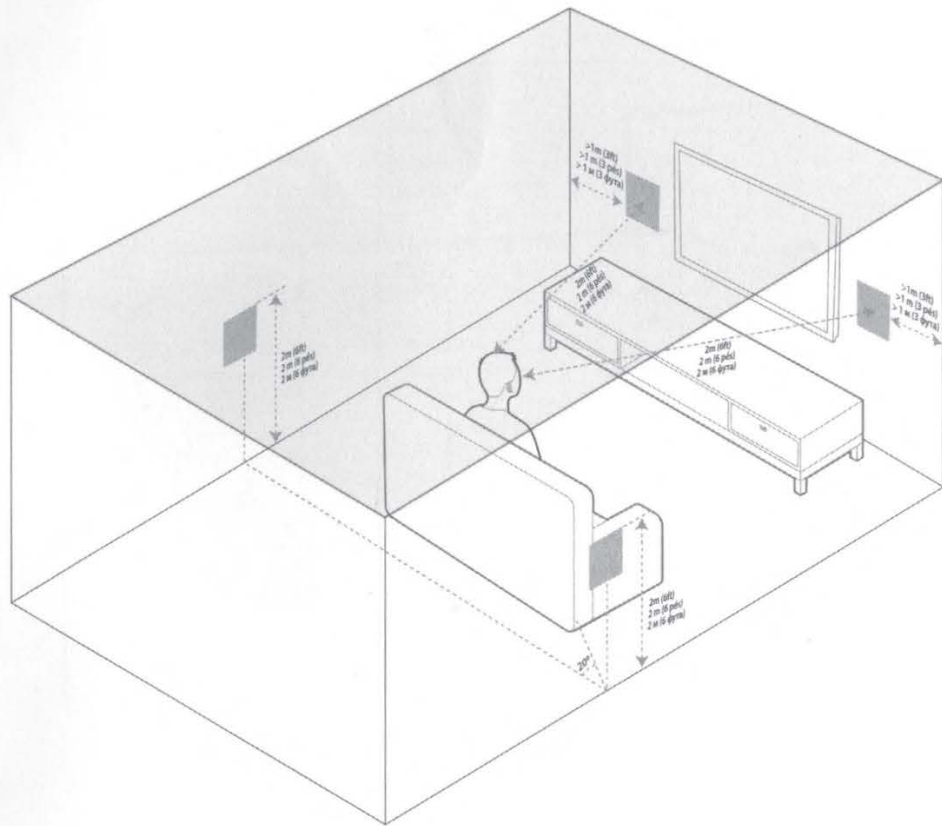
POSICIONAMENTO (Caixas de embutir Estéreo)  
РАЗМЕЩЕНИЕ (встраиваемая в стену стереосистема)



## PLACEMENT (In-wall Home Theater)

POSICIONAMENTO (caixa de embutir Home Theater)

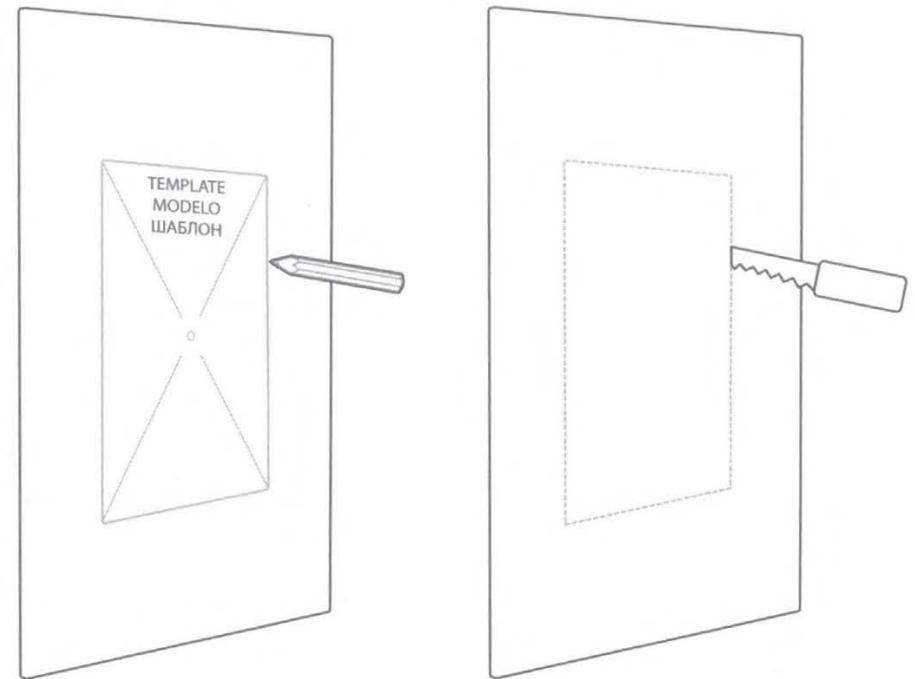
РАЗМЕЩЕНИЕ (встраиваемый в стену домашний кинотеатр)



## CUT-OUT (In-wall)

RECORTE (na parede)

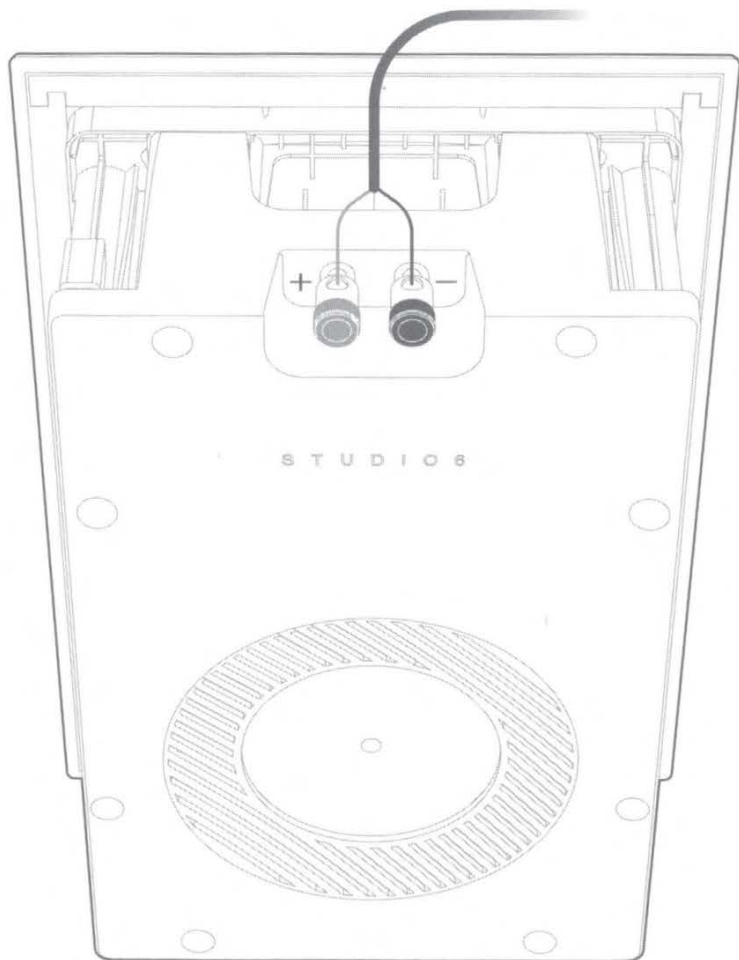
ВЫРЕЗКА (в стене)



## INSTALLATION (Connect Speaker Wire)

INSTALAÇÃO (Conectando a fiação das caixas de som)

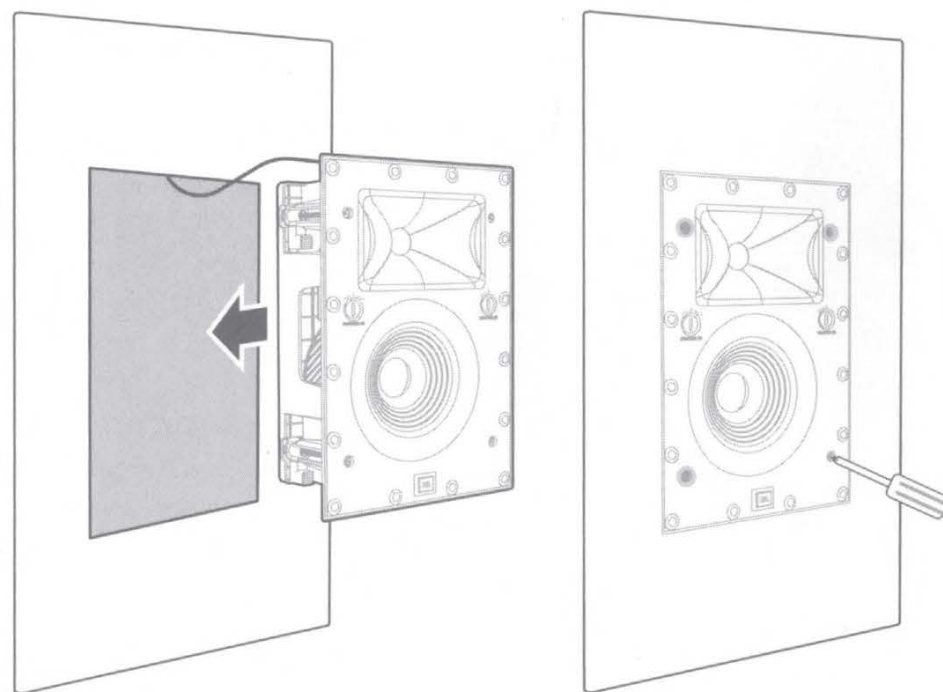
УСТАНОВКА (подключение провода колонки)



## INSTALLATION (Screw into Wall)

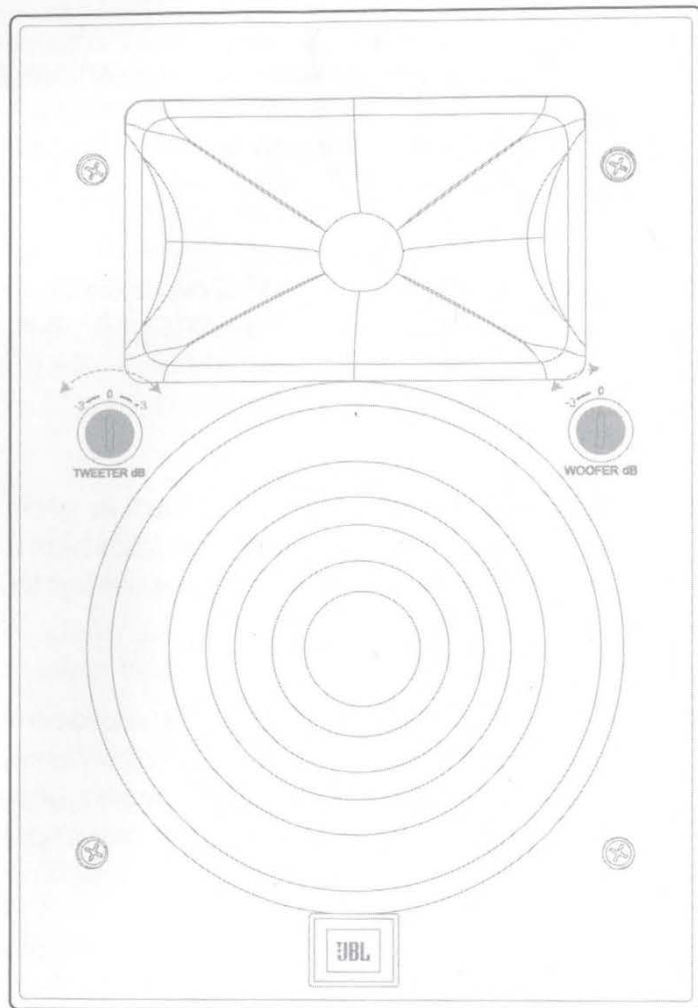
INSTALAÇÃO (parafusar na parede)

УСТАНОВКА (крепление винтами к стене)



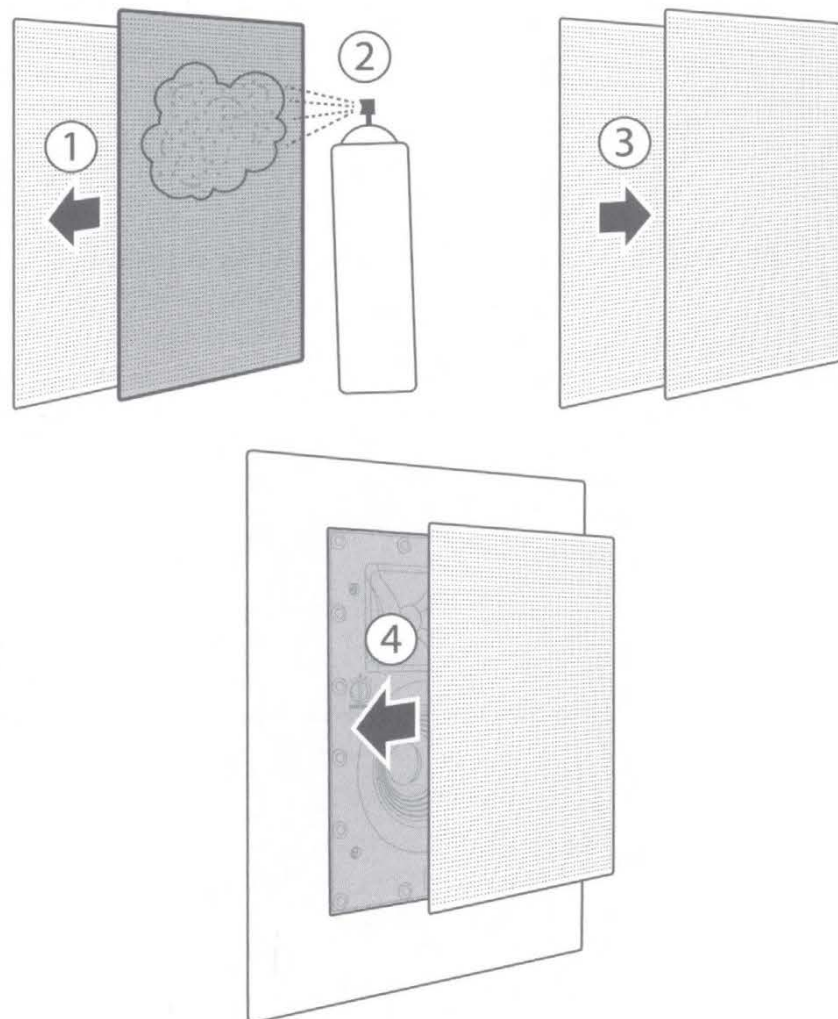
## EQ SETTINGS (Bass and Treble Adjustment)

CONFIGURAÇÕES DE EQ (ajuste de graves e agudos)  
НАСТРОЙКИ ЭКВАЛАЙЗЕРА (регулировка низких и  
высоких частот)



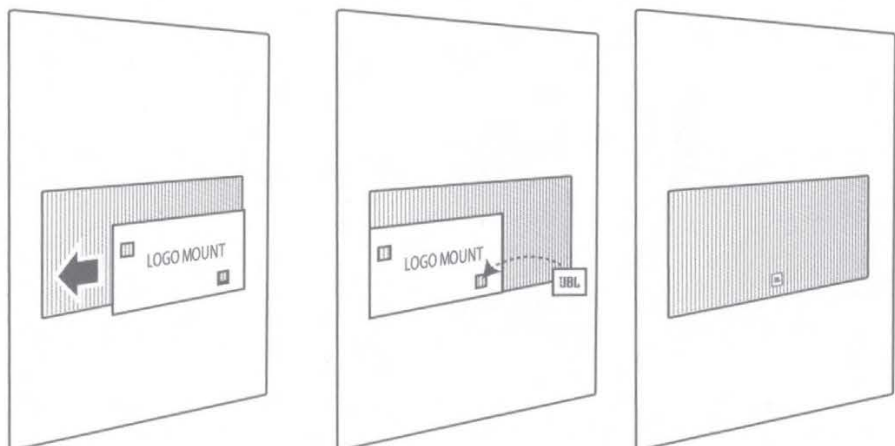
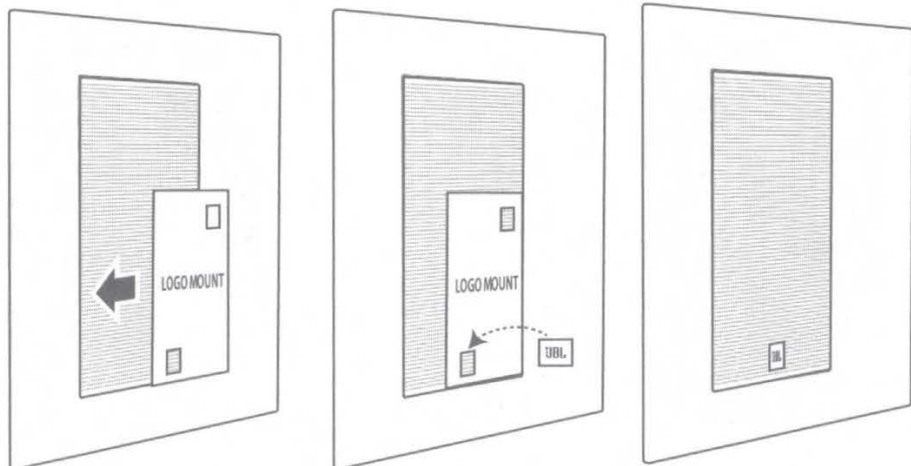
## PAINTING

PINTURA  
ОКРАШИВАНИЕ



## LOGO MOUNT GUIDE (66LCR, 88LCR and Theater only)

GUIA DE MONTAGEM DO LOGO (66LCR, 88LCR e Theater apenas)  
РУКОВОДСТВО ПО КРЕПЛЕНИЮ ЛОГОТИПА (только модели  
66LCR, 88LCR и Theater)



**WARNING:** HARMAN International assumes no responsibility for improper installation of hardware or for any personal injuries or product damages resulting from improper installation or a fallen loudspeaker.

### Limited Warranty

JBL speakers are warranted against defects. The duration of the speaker's warranty depends on the laws in the country in which it was purchased. Your local JBL retailer can help you determine the length of your warranty.

**ADVERTÊNCIA:** A HARMAN International não assumirá nenhuma responsabilidade por instalações incorretas do equipamento nem por lesões corporais ou danos a produtos decorrentes de instalação inapropriada ou quedas de alto-falantes.

### Garantia limitada

As caixas de som JBL são garantidas contra defeitos. A vigência da garantia da caixa de som depende da legislação em vigor no país na qual ela foi adquirida. Seu revendedor JBL local poderá informar a duração de sua garantia.

**ПРЕДУПРЕЖДЕНИЕ.** Компания HARMAN International не несет ответственности за ненадлежащую установку оборудования и за травмы или повреждения продукции, вызванные ненадлежащей установкой или падением акустической системы.

### Ограниченная гарантия

На колонки JBL предоставляется гарантия отсутствия дефектов. Продолжительность действия гарантии на аудиосистему зависит от законодательства страны, в которой был куплен продукт. обращайтесь с вопросами по продолжительности действия гарантии к продавцу продукции JBL.

# ENGLISH

## IMPORTANT SAFETY INSTRUCTIONS

1. Read these instructions.
2. Keep these instructions.
3. Heed all warnings.
4. Follow all instructions.
5. Clean only with a dry cloth.
6. Do not block any ventilation openings. Install this apparatus in accordance with the manufacturer's instructions.
7. Do not install this apparatus near any heat sources such as radiators, heat registers, stoves or other apparatus (including amplifiers) that produce heat.
8. Use only attachments/accessories specified by the manufacturer.
9. Use only with the cart, stand, tripod, bracket or table specified by the manufacturer or sold with the apparatus. When a cart is used, use caution when moving the cart/apparatus combination to avoid injury from tip-over.
10. Refer all servicing to qualified service personnel. Servicing is required when the apparatus has been damaged in any way, such as when the power-supply cord or plug is damaged, liquid has been spilled or objects have fallen into the apparatus, or the apparatus has been exposed to rain or moisture, does not operate normally or has been dropped.



### Correct disposal of this product (Waste Electrical & Electronic Equipment)

This symbol means the product must not be discarded as household waste, and should be delivered to an appropriate collection facility for recycling. Proper disposal and recycling helps protect natural resources, human health and the environment. For more information on disposal and recycling of this product, contact your local municipality, disposal service, or the shop where you bought this product.



### RoHS

This product is RoHS compliant.

This product is in compliance with Directive 2011/65/EU, and its amendments, on the restriction of the use of certain hazardous substances in electrical and electronic equipment.

### REACH

REACH (Regulation No 1907/2006) addresses the production and use of chemical substances and their potential impacts on human health and the environment. Article 33(1) of REACH Regulation requires suppliers to inform the recipients if an article contains more than 0.1 % (per weight per article) of any substance(s) on the Substances of Very High Concern (SVHC) Candidate List ('REACH candidate list'). This product contains the substance "lead"(CAS-No. 7439-92-1) in a concentration of more than 0.1% per weight.

At the time of release of this product, except for the lead substance, no other substances of REACH candidate list are contained in a concentration of more than 0.1% per weight in this product.

Note: On June 27, 2018, lead was added to the REACH candidate list. The inclusion of lead in the REACH candidate list does not mean that lead-containing materials pose an immediate risk or results in a restriction of permissibility of its use.



Manufacturer: Harman International Industries, Incorporated  
Address: 8500 Balboa Blvd, Northridge, CA 91329, UNITED STATES  
European Representative: Harman International Industries, Incorporated  
EMEA Liaison Office, Danzigerkade 16, 1013 AP Amsterdam, The Netherlands  
UK business address: Ground Floor, Westside 2, London Road, Apsley, Hemel  
Hempstead, Hertfordshire, HP3 9TD, United Kingdom

© 2021 HARMAN International Industries, Incorporated. All rights reserved.

JBL is a trademark of HARMAN International Industries, Incorporated, registered in the United States and/or other countries. Features, specifications and appearance are subject to change without notice.



Part No. 950-0606-001 Rev. 1