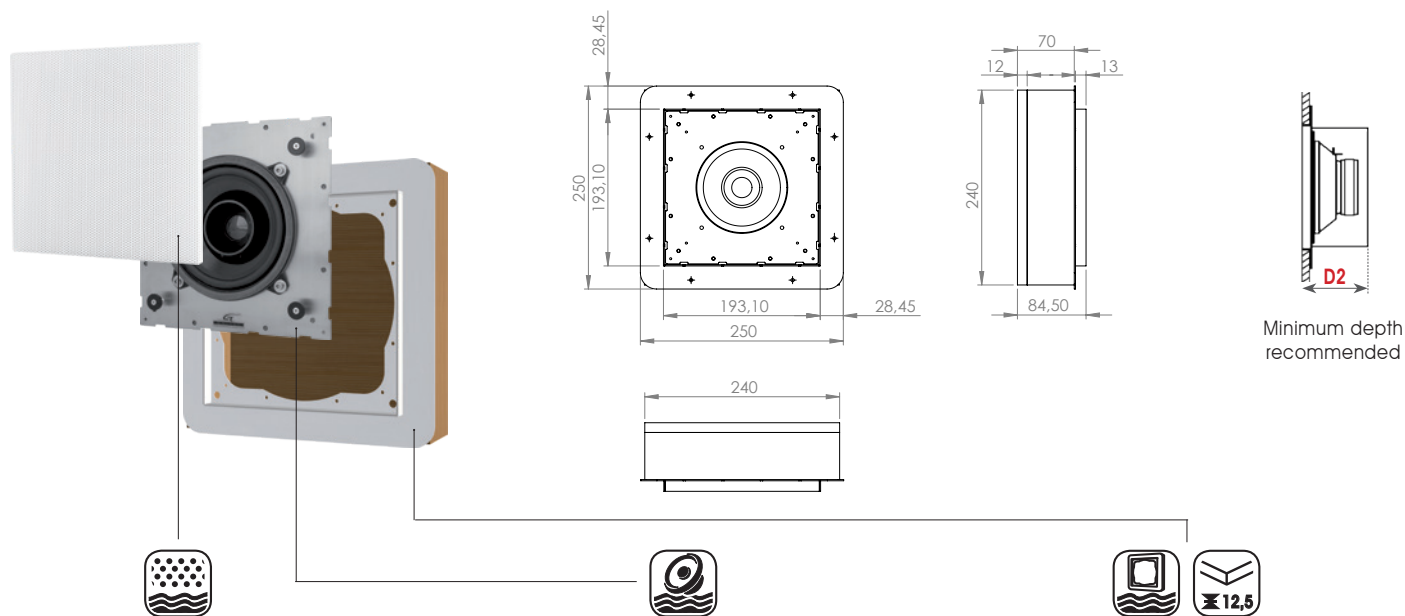


SIR12M**SIR12V****FLUSH-MOUNT IN-WALL FOR PLASTERBOARD****White front cover**Code: **11BXM**

Dimensions HxWxD (cm) 19,0 x 19,0 x 0,8

Weight (Kg) 0,18

Finishes White microperforated metal grille

LoudspeakerCode (8 Ω): **SIR12M**
Code (70V / 100V): **SIR12V**

Type Double-cone

Components Glass fiber double-cone

Power RMS / Max (8 Ω) 50 / 100

Power RMS W (70V / 100V) 50,0 - 37,5 - 25,0

Freq. resp. (Hz) 85 - 20k

Sensitivity dB (2,83V/1m) 88

Nom. impedance (Ω) 8

Protection IP66
Temperature range (°C) -20 / +100Woofer Ø (cm) 13,0
Tweeter voice coil Ø (cm) 13,0

Dimensions HxWxD (cm) 19,0 x 19,0 x 6,3

Weight (Kg) 0,78 / 1,18

BackboxCode: **CC1920**

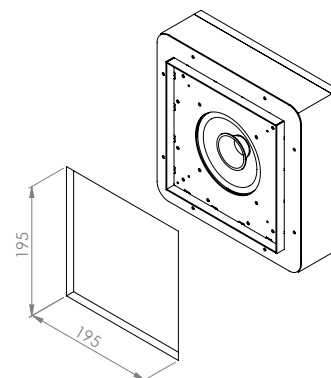
Dimensions HxWxD (cm) 25,0 x 25,0 x 8,4

Installation hole plasterboard HxWxD (cm) 19,5 x 19,5 x 8,4 **D2**

Weight (Kg) 1,05

Materials Stainless Steel + Wood

Installation hole plasterboard



Marine Grille



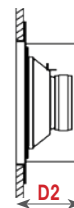
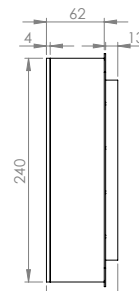
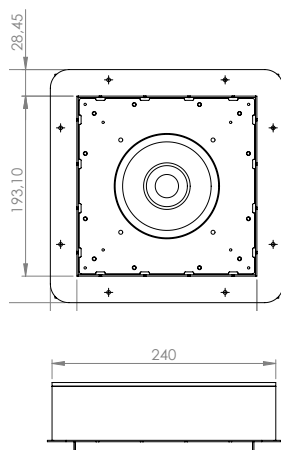
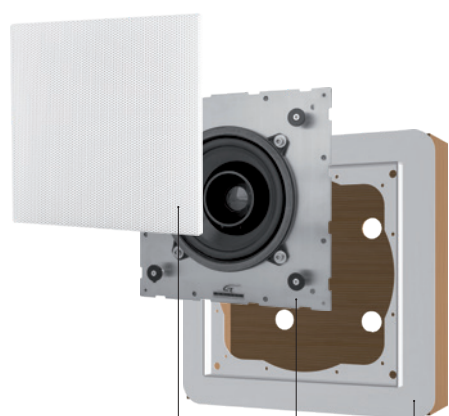
Marine Speaker



Marine Steel Frame



Plasterboard

SIR12M**SIR12V****FLUSH-MOUNT IN-WALL FOR CONCRETE**

Minimum depth recommended

**White front cover**Code: **11BXM****Loudspeaker**Code (8 Ω): **SIR12M**
Code (70V / 100V): **SIR12V****Backbox**Code: **CM1920**

Dimensions HxWxD (cm)	19,0 x 19,0 x 0,8
Weight (Kg)	0,18
Finishes	White microperforated metal grille

Type	Double-cone
Components	Glass fiber double-cone
Power RMS / Max (8 Ω)	50 / 100
Power RMS W (70V / 100V)	50,0 - 37,5 - 25,0
Freq. resp. (Hz)	85 - 20k
Sensitivity dB (2,83V/1m)	88
Nom. impedance (Ω)	8
Protection	IP66
Temperature range (°C)	-20 / +100
Woofer Ø (cm)	13,0
Tweeter voice coil Ø (cm)	13,0
Dimensions HxWxD (cm)	19,0 x 19,0 x 6,3
Weight (Kg)	0,78 / 1,18

Dimensions HxWxD (cm)	25,0 x 25,0 x 7,6
Installation hole wall HxWxD (cm)	25,5 x 25,5 x 7,6 D2
Weight (Kg)	0,98
Materials	Stainless Steel + Wood

**Marine Grille****Marine Speaker****Marine Steel Frame****Wall**

70 / 100V Line Toroidal transformer G-Former™



Wiring Cablaggio Câblage Verdrahtung

Connect to speaker
Connessione al diffusore
Connexion à l'enceinte
Verbindung zum Lautsprecher

Connect to amplifier
Connessione all'amplificatore
Connexion à l'amplificateur
Verbindung zum Verstärker

0	Violet <i>Viola</i> Violet <i>Violett</i>	50 W	Brown <i>Marrone</i> Marron <i>Braun</i>
---	--	------	---

100 V	White <i>Bianco</i> Blanc <i>Weiß</i>	37,5 W	Red <i>Rosso</i> Rouge <i>Rot</i>
-------	--	--------	--

70 V	Green <i>Verde</i> Vert <i>Grün</i>	25 W	Blue <i>Blu</i> Bleu <i>Blau</i>
------	--	------	---

Common <i>Comune</i> Câble commun <i>Gemeinsames Kabel</i>	Black <i>Nero</i> Noir <i>Schwarz</i>
---	--

Specifications

Nominal power (W) <i>Potenza nominale (W)</i> Puissance nominale (W) <i>Nennleistung (W)</i>	50
---	----

Input voltage (V) <i>Tensione d'ingresso (V)</i> Tension d'entrée (V) <i>Eingangsspannung (V)</i>	70 / 100
--	----------

Frequency response (Hz) <i>Risp. in frequenza (Hz)</i> Rép. en fréquence (Hz) <i>Frequenzgang (Hz)</i>	40 - 21K
---	----------

Output power on 8 Ω (W) <i>Potenza di uscita su 8 Ω (W)</i> Puissance de sortie sur 8 Ω (W) <i>Ausgangsleistung auf 8 Ω (W)</i>	50,0 37,5 25,0
--	----------------------

Dimensions H x W x D (cm) <i>Dimensioni A x L x P (cm)</i> Dimensions H x L x P (cm) <i>Abmessungen H x B x D (cm)</i>	3,1 x 6,6 x 6,6
---	-----------------

IP Code Grado di protezione IP Indice de protection IP Schutzart	43
---	----

Weight (Kg) <i>Peso (Kg)</i> Poids (Kg) <i>Gewicht (Kg)</i>	0,39
--	------

