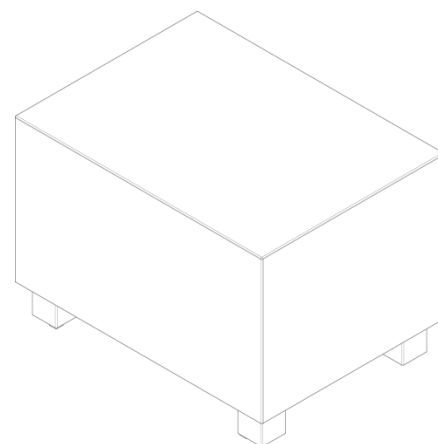


Welcome to Episode

Thank you for purchasing a great product from Episode®, one of the best-performing and most reliable loudspeaker lines available today. We appreciate your purchase and are committed to providing the highest-quality products possible.

The Episode 10" 300-Watt Hardscape Subwoofer has been specifically designed to integrate into any outdoor loudspeaker installation to provide optimized bass response for an area between 2,000 and 3,000 square feet. Its rugged 5/8" HDPVC construction assures years of trouble-free use.



1. Package Contents

- ES-LS-HSUB-10-BLK
- (4) Security Mount Brackets and Hardware
- (2) Silicone Wire Nuts

2. Tools Required

- Wire Strippers
- Drill (optional if using Security Mount Brackets)
- Phillips head screwdriver (optional if using Security Mount Brackets)

3. Important Instructions and Considerations for Installation

- Read and follow all instructions.
- Before beginning the installation, be sure to carefully plan locations, accounting for potential electrical, plumbing, irrigation, or other obstacles.

4. Product Requirements

- This subwoofer is optimized for use with the Crown® 1000-watt 2-channel amplifier with custom-tuned DSP settings, or a specialized subwoofer amplifier with a low-pass filter. It requires an 8Ω-stable amplifier or a 4Ω-stable amplifier if two subwoofers are to be wired together in parallel.
- Using more than 2 ES-LS-HSUB-10-BLK on the same amplifier channel is not recommended.

5. Wiring Recommendations

- Burial-rated wire is recommended for all installations.
- For Maximum Performance:
 - For wire runs up to 100 feet, 16ga or larger wire is recommended.
 - For wire runs up to 200 feet, 14ga wire or larger is recommended.
 - For wire runs up to 300 feet, 12ga wire or larger is recommended.

Smaller wire gauges may be used, but overall performance will be reduced depending on the wire gauge used. The chart below shows the wire length and the amount of signal loss that you can expect on a typical run.

Wire Gauge	8Ω Speaker			4Ω Speaker (or two 8Ω speakers in parallel)		
	11% Power Loss	21% Power Loss	37% Power Loss	11% Power Loss	21% Power Loss	37% Power Loss
12	291ft.	622 ft.	1352 ft.	143 ft.	311 ft.	680 ft.
14	189 ft.	403 ft.	876 ft.	92 ft.	199 ft.	437 ft.
16	117 ft.	255 ft.	553 ft.	61 ft.	128 ft.	278 ft.
18	87 ft.	194 ft.	405 ft.	41 ft.	92 ft.	201 ft.

6. Choosing the Installation Location

There are several factors to consider when choosing the final installation location:

- **Sound Coverage**

The low frequencies added by the ES-LS-HSUB-10-BLK will greatly enhance the overall sound quality of any outdoor loudspeaker installation. As a guideline, each subwoofer will provide coverage for between 2,000 and 3,000 square feet.

Because the sound will radiate in all directions in an approximate 30-foot radius, consider placing a subwoofer every 60 feet for maximum coverage. Placing a subwoofer near a wall will increase the bass response.

- **Aesthetic Placement**

The sub should be located so that it blends in well with the environment.

- **Safe Environment**

The subwoofer is designed to stand up to the harshest conditions and continue to perform, but there are conditions that could shorten its life.

Make sure to minimize the chance of water being sprayed directly under the subwoofer, and avoid installing the sub in an area that continuously floods during wet weather or retains standing water.

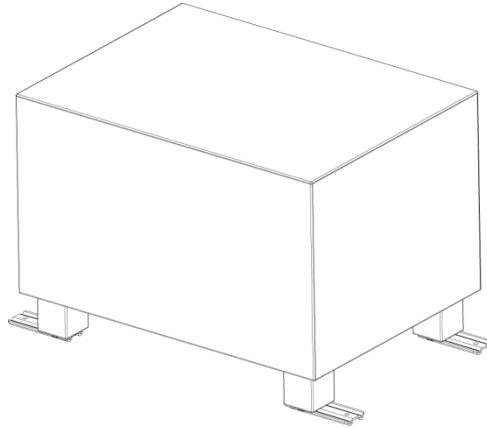
Avoid installing the subwoofer in areas where it could be struck by cars, lawn care equipment, or recreation equipment.

- **Ease of Installation and Wiring**

The final installation location must be accessible. Make sure that wire can be routed to the location from the amplifier, and that no obstructions will prevent installation of the subwoofer.

Note: We recommend that an outdoor speaker system be fully tested with speakers located at their proposed locations before any wiring trenches are dug or burial conduit is installed. This allows for easy relocation of any speaker/subwoofer to achieve optimum sound levels throughout the listening area.

7. Installation



7.1 Assembly and Setup (without Mount Brackets)

1. Place the subwoofer in the preferred location, taking into account all wiring and aesthetic considerations.
2. If the surface is not level, use the surface leveling feet by turning them clockwise to lower, and counter-clockwise to raise the subwoofer floor. Lift one side at a time while adjusting for ease.
3. Connect the (+) and (-) leads on the subwoofer to the line coming from the amplifier. If using a 70V transformer, follow the wiring instructions in the 70V transformer.

7.2 Assembly and Setup (with Mount Brackets)

1. Remove surface levelers by unscrewing them counter-clockwise until they come loose.
2. Attach the brackets to the feet, using the included hardware. With the sub placed in the preferred location, pre-drill a hole through each designated bracket hole location.
3. Connect the (+) and (-) leads on the subwoofer to the line coming from the amplifier. If using a 70V transformer, follow the wiring instructions in the 70V transformer.
4. Drill subwoofer into place with the required hardware (not included) to complete the mounting process.

8. Specifications

Woofers:	10" High Compliance, Mica-filled Polypropylene Cone with stitched NBR Surround
Voice Coil:	Oversized 2" High Power, 4 layer on Fiberglass Bobin
Enclosure:	5/8" Thick HDPVC (Non-corrosive sealed enclosure)
Available Finishes:	Dark Brown Textured Enclosure
Power Handling RMS (w) @ 8Ω:	300w RMS
Nominal Impedance (Ω):	8Ω
Frequency Response (± 3dB):	32 Hz - 200 Hz
Dimensions (W x H x D):	19.8" x 14.65" x 14.1"
Weight:	56 lbs

9. Troubleshooting

Episode® subwoofers are designed to function trouble-free. Most problems that occur are due to simple issues. If you have trouble, please follow the troubleshooting instructions below. If you have a different problem, or if the sound problem persists, contact Episode® Customer Service at 1.866.838.5052

9.1 No Sound

- Verify that there is audio coming from the source selected. Select another source if necessary.
- Ensure that the audio source is turned on and connected properly.

10. Warranty



5-Year Limited Warranty

5-Year Limited Warranty. This warranty includes parts and labor repairs on all components found to be defective in material or workmanship under normal conditions of use. This warranty shall not apply to products which have been abused, modified or disassembled. Products to be repaired under this warranty must be returned to SnapAV or a designated service center with prior notification and an assigned return authorization number (RA).

11. Contacting Technical Support

Phone: (866) 838-5052
 Email: Techsupport@snapav.com