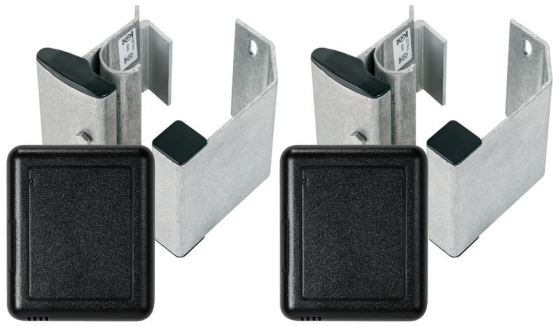


# Smart Garage Door Bundle



## Installation Guide

### Package contents

#### Smart Garage Door Bundle (C4-SGB10A-2D-ZP)

- 2 ZigBee to IO (C4-Z2IO)
- 2 Rail-Mounted Magnetic Door Contacts (GE 2317A-L)

### Requirements

- Composer Pro 2.10.0 or higher

### Features

The Control4 Smart Garage Door Bundle includes devices for monitoring and controlling residential garage doors in an automated home.

Each ZigBee to IO monitors the states of garage doors (and, with proper placement, can also monitor one pedestrian door), enabling Control4 automation events based on whether the garage doors are opened or closed.

- The ZigBee to IO can remotely open and close garage doors as well as sense each time a garage door is opened or closed.
- The two magnetic door contacts are designed specifically for panel- or sectional-style overhead doors. Their unique design allows the contact to be mounted directly to the door channel, with the magnet mounted vertically on the door. The contacts feature durable aluminum construction and ruggedized, 3/16" armored (A) stainless steel cable-enclosed wire leads.
- The ZigBee to IO's internal thermistor makes it easy to detect temperature in your garage. You can connect an external thermistor (not included) to enable outdoor, temperature-based automation events.

## Introduction

In most homes, the garage door is the only motorized door. The Smart Garage Door Bundle takes advantage of this capability, allowing Control4 homeowners to open or close garage doors based on the time of day and even operate them from a remote location.

The Smart Garage Door Bundle contains all the necessary gear to integrate monitoring and control of multiple garage doors into any Control4 project—and with a minimum amount of wiring. The result provides homeowners with added convenience and peace of mind.

### Easy installation

The Smart Garage Door Bundle is designed for quick installation and high reliability. The innovative rail-mounted door contacts install vertically on the door channel (eliminating messy floor-mounted contacts and cracked cement) and are connected to the ZigBee to IO. An entire automation package can easily be installed by experienced installers in as little as 30 minutes.

### Applications

Everyone hates waking up in the morning only to discover the garage door was left open all night. Now the Smart Garage Door Bundle eliminates worries for homeowners. When used in Control4 systems, homeowners can monitor their homes from miles away.

Use the Smart Garage Door Bundle with new or existing garage doors to wirelessly add capabilities to Control4 projects like:

- Remote-controlled garage open and close
- Automatic time-based garage open or close
- 4Sight remote garage open and close
- Home lighting scene changes (and other home automation events) based on garage door open/close states
- LED keypad status of garage door open/close states

**Warning!** To prevent accidental closing of garage doors on obstructed or otherwise occupied garage doorways, the Smart Garage Door Bundle *must be installed only* on garage doors *with* "safety beam" capabilities that are designed to detect garage doorway obstructions and prevent door closure.

**Note:** The Smart Garage Door Bundle has been tested and is designed to work with Control4 OS 2.10 and later. All necessary drivers for the package are included in this version of the Control4 OS.

## Installing the package

### Quick hardware installation

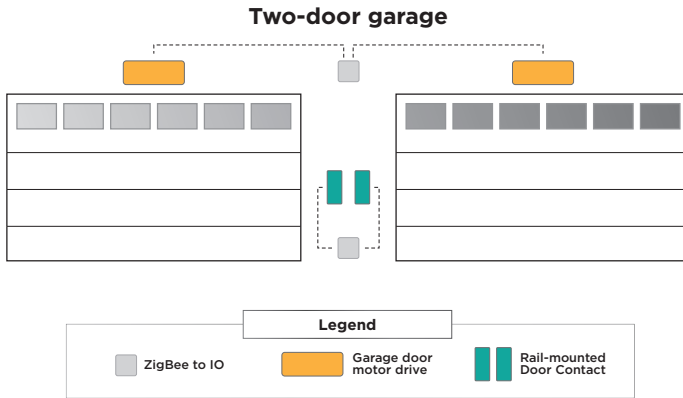


Figure 1: Smart Garage Door Bundle component placement in a typical two-door garage

For a typical two-door garage installation, connect the Smart Garage Door Bundle contents to the garage doors and garage motor drives following these directions:

- 1 Install the ZigBee to IO on a wall between the two garage door rail assemblies.
- 2 Install the two GE Model 2317A-L Rail-Mounted Magnetic Door Contacts on to the two garage door rail assemblies. Then connect them to the ZigBee to IO.
- 3 Install the ZigBee to IO on the ceiling between the two garage door motor drives, connect its external power supply, then plug it into a ceiling outlet.
- 4 Using standard AWG 18-28 wiring, connect the garage door motor drives to the two relay connections on the ZigBee to IO. (Duplicate the wiring scheme from the motor drives to the existing garage door buttons already installed in the garage area.) See the *ZigBee to IO Installation Guide* for configuration details.

### Monitoring garage door open/closed states and external temperature values

To install the needed hardware to support Control4 monitoring of the open and closed state of the garage doors, install the hardware referenced in *Figure 2* as you complete the following steps:

- 1 Add one ZigBee to IO to the “Garage” room in the Composer Pro project, configure it to Option 2 (4 contacts), and create the proper bindings for two garage doors (refer to the *ZigBee to IO Installation Guide* ([ctrl4.co/z2io-ig](http://ctrl4.co/z2io-ig)) and your Composer Pro documentation for additional installation details).
- 2 Using the included mounting hardware, attach the two GE Model 2317A-L Rail-Mounted Magnetic Door Contacts—one to each of the two garage door rail assemblies (refer to the *2315 Series Panel Door Magnetic Contact* document included with the door magnets for additional installation details).

- 3 Using the included mounting screws and wall anchors, mount the second ZigBee to IO to a location ideally located between the two Rail-Mounted Magnetic Door Contacts (refer to the *ZigBee to IO Installation Guide* ([ctrl4.co/z2io-ig](http://ctrl4.co/z2io-ig)) for additional installation details).

- 4 For each of the Rail-Mounted Magnetic Door Contacts, connect the proper wires to the ZigBee to IO’s tray assembly using pins C1 and Cm for Door Contact 1, and pins C2 and Cm for Door Contact 2.



**Note:** Each GE Model 2317A-L Rail-Mounted Magnetic Door Contact has three wires. You should connect only two of the wires to the ZigBee to IO. The wires you need to use depend on whether you want an event to be generated when the door is opened (N.C.) or when the door is closed (N.O.). For example, if you want to generate a contact event on door open, connect the red wire to the ZigBee to IO’s tray assembly pin C1, and the black (common) wire to Pin Cm.

### Automating garage door operation

To install the needed hardware to support garage door automation, install the hardware referenced in *Figure 3* as you complete the following steps:

- 1 Add one ZigBee to IO to the *Garage* room in the project, configure it to use Option 1 (2 relays), and create the proper bindings for two garage door motor drives (refer to the *ZigBee to IO Installation Guide* ([ctrl4.co/z2io-ig](http://ctrl4.co/z2io-ig)) and your Composer Pro documentation for additional installation details).
- 2 Using the included mounting screws and wall anchors, mount the ZigBee to IO to a location ideally located between the two garage door motor drives (refer to the *ZigBee to IO Installation Guide* ([ctrl4.co/z2io-ig](http://ctrl4.co/z2io-ig)) for additional installation details).
- 3 For each of the garage door motor drives, connect the garage door motor drives using standard AWG 18-28 wiring to the ZigBee to IO (config Option 1) tray assembly using Pins C1 and C2 for garage door motor drive 1, and pins C3 and C4 for garage door motor drive 2. (To determine which motor drive terminals should be used, duplicate the wiring scheme from the motor drives to the existing garage door buttons already installed in the garage area).
- 4 Connect any 9-24VAC/DC power supply to the ZigBee to IO’s tray assembly Pins + and -. If you use a DC power supply (including the external 12V DC power supply included with the ZigBee to IO), you must match the polarity of the power supply to the proper + and - tray assembly pin.

### Suggested automation events

Now that the hardware is installed, you can use Control4 to monitor the open and closed states of the garage doors and to actually open and close the garage doors. Using Composer Pro, you can add a wide variety of events, such as:

- Changing the LED color on Control4 keypads to indicate the open and closed states of the garage doors.
- Programming those same keypad buttons to open and close the garage doors.
- Creating audio events that report the opening and closing of the garage doors.
- Turning lights on inside the home when garage doors open.

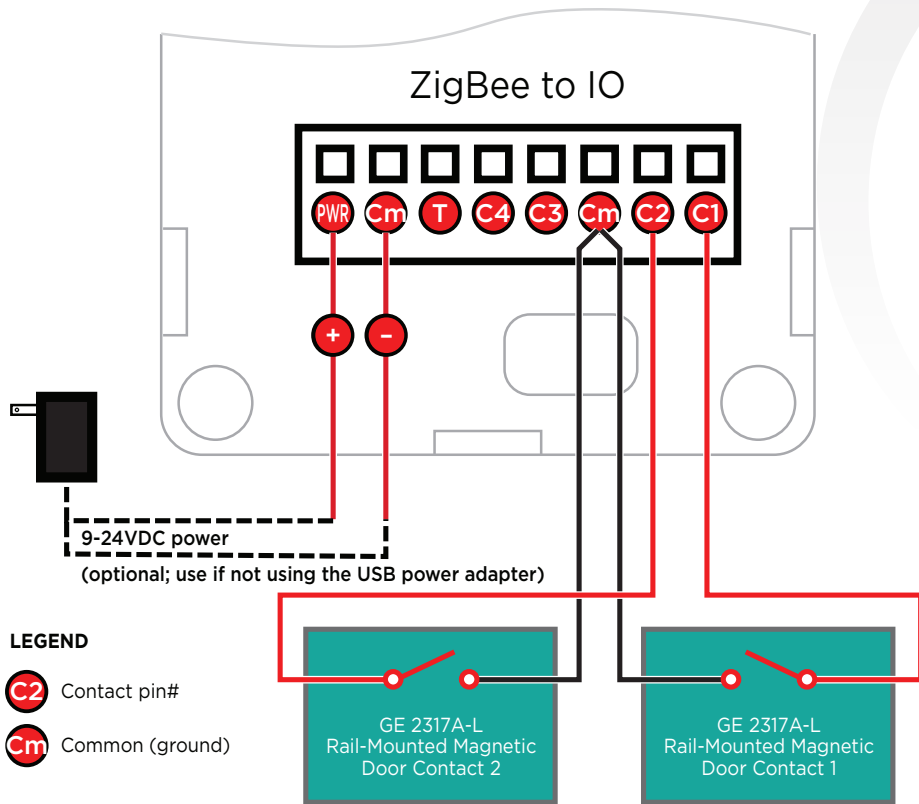


Figure 2: Garage Magnetic Door Contact to ZigBee to IO wiring diagram

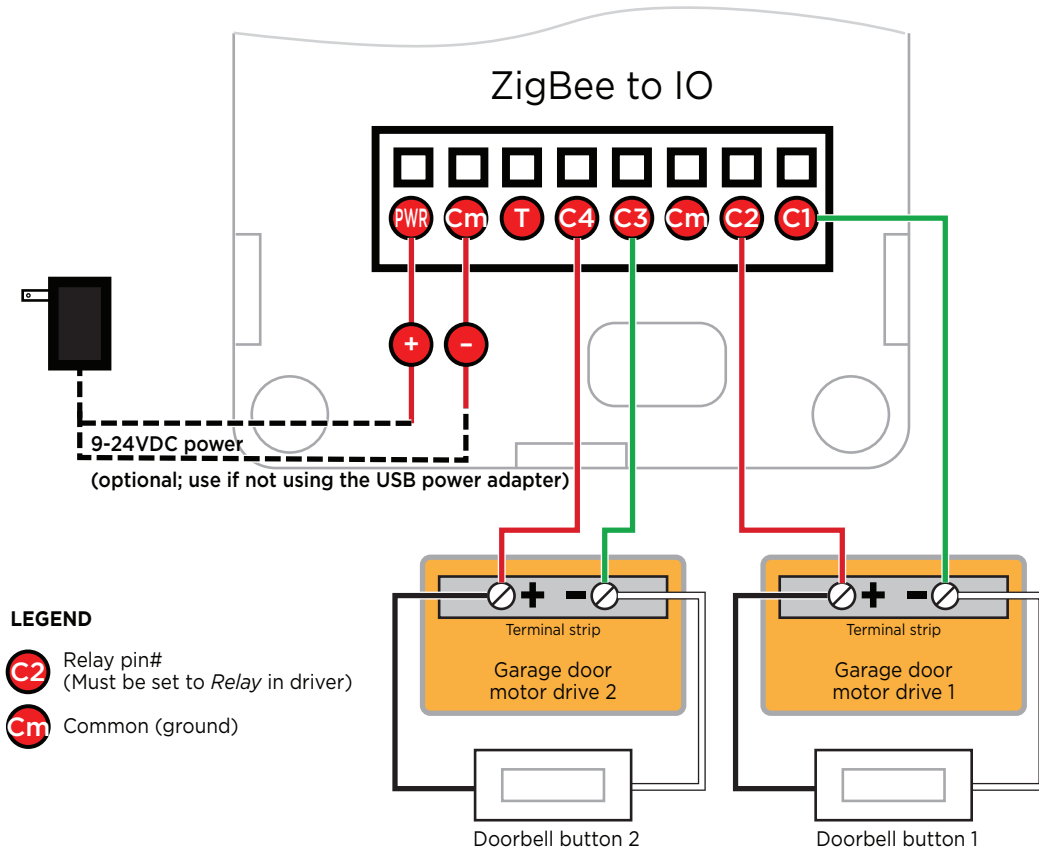


Figure 3: Garage door motor drive to ZigBee to IO wiring diagram

- Automatically closing the garage doors at a particular time of day or after they have remained open for a specific amount of time.



**Warning!** To prevent accidental closing of garage doors on obstructed or otherwise occupied garage doorways, the Smart Garage Package *must be installed only* on garage doors with “safety beam” capabilities that are designed to detect garage doorway obstructions and prevent door closure.

- Activate an IP camera (not included) located at the garage door and use a camera preset to view activity in the garage based on the open and closed states of the garage doors.

## Additional resources

The following resources are available for additional support:

- Control4 Knowledgebase and forums
- Control4 Technical Support
- Control4 website: [www.control4.com](http://www.control4.com)
- Composer documentation available at [ctrl4.co/docs](http://ctrl4.co/docs).

For the latest version of this document, open this URL or scan the QR code on a device that can view PDFs.

## Regulatory/Safety information

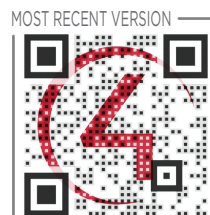
To review Regulatory information for your particular Control4 products, see the information located on the Control4 website at [ctrl4.co/reg](http://ctrl4.co/reg).

## Patent information

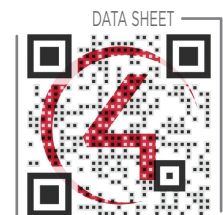
Applicable patents are available at [ctrl4.co/patents](http://ctrl4.co/patents).

## Warranty

Visit [ctrl4.co/warranty](http://ctrl4.co/warranty) for details.



[ctrl4.co/smartgarage-ig](http://ctrl4.co/smartgarage-ig)



[ctrl4.co/smartgarage-ds](http://ctrl4.co/smartgarage-ds)