

4K HDR Switch with IR - 4x1
B-260-SWITCH-4X1

BINARY

INSTALLATION GUIDE



FC CE

CONTENTS

Product Overview	4
Features	4
Package Contents	4
Device Layout	5
Front	5
Back	6
Installation	7
Connections	7
IR Receiver Connections	8
IR Controller Connections	8
RS-232 Control Connections	9
Selecting a Switch Input	9
Front Panel	9
IR Control	10
RS-232 Control	10
Specifications	11
Limited Warranty	11
Support	11

PRODUCT OVERVIEW

Thank you for purchasing a Binary product. For proper installation and optimum performance, please read the instructions in this manual.

The B-260-SWTCH-4x1 Switch features HDMI 2.0 and HDCP 2.2 compatibility and supports resolutions up to 4K@60Hz 4:4:4 8bit, enabling four Ultra HD sources to be switched to one Ultra HD or non-Ultra HD display. The switch is controllable by a front panel button, IR remote** and/or RS-232.

FEATURES

- 4 to 1 HDMI switch
- HDMI 2.0 with 4K@60 4:4:4 8-bit and HDCP 2.2 compliant
- Supports manual switching
- Supports various control options
- Compact size and easy-to-install

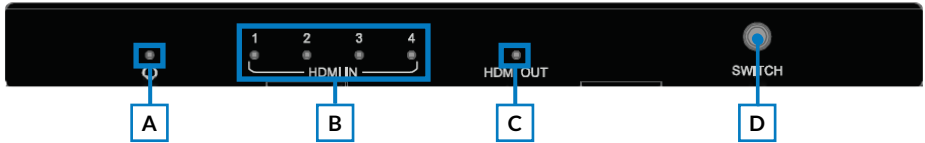
PACKAGE CONTENTS

- 1 x B-260-SWTCH-4x1 Switch
- 1 x DC 12V Power Adapter
- 1 x Switch IR Remote (Requires IR receiver, sold separately)
- 1 x Phoenix Male Connector (3.5mm, 3 Pins)
- 2 x Mounting Ears (with Screws)
- 2 x Drywall Screws
- 4 x Rubber Feet
- 1 x Installation Manual

**IR control requires connection to an external control system via an IR extension cable, or an external IR receiver, which are sold separately.

DEVICE LAYOUT

Front



A. Power Led

On: Power on

Off: Power off

B. HDMI IN 1-4 LED

On: The HDMI IN source is selected and active.

Off: The HDMI source is not selected nor active.

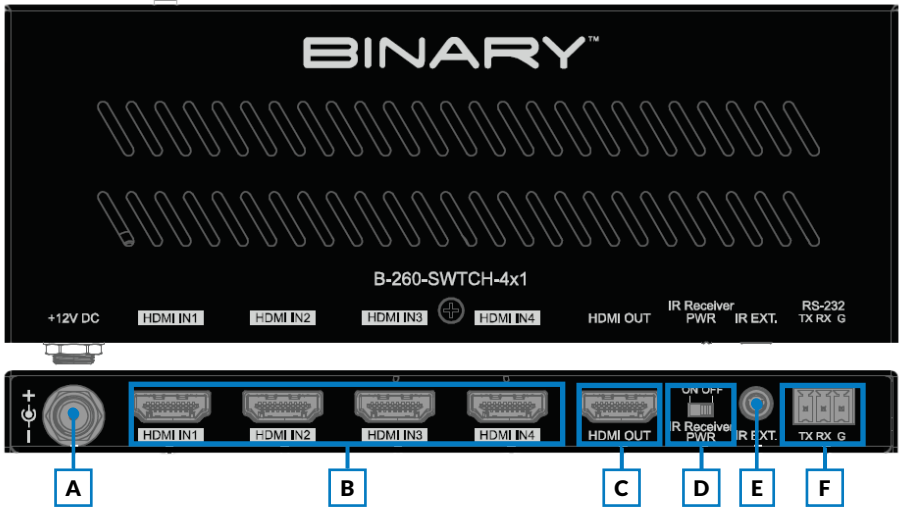
C. HDMI OUT LED

On: An HDMI display is connected to the switch.

Off: No HDMI display is not connected to the switch.

D. SWITCH Button

Press to cycle through the active sources, inactive sources will not be selectable.



A. +12V DC

Connect the provided 12V DC power supply's cord and tighten it in place.

B. HDMI IN (1-4)

Connect to the output of HDMI source(s) to the input(s) you require.

C. HDMI OUT

Connect to the input of a HDMI display or other similar device.

D. IR Receiver PWR

- ON Position: IR receiver port supplies 12V power.
The unit can be controlled through an IR receiver (sold separately) in the ON position.
- OFF Position: IR receiver port does not supply 12V power.
The unit can be controlled with a standard mono cable from a control system in the OFF position.

E. IR EXT.

IR extension port. Connect an IR extension cable, control cable or external IR receiver (not included).

When connecting to an unpowered IR receiver or a control device, ensure that the IR Receiver Power Switch is in the OFF position.

When connecting to a powered IR receiver, ensure that the IR Receiver Power Switch is in the ON position.

F. RS-232

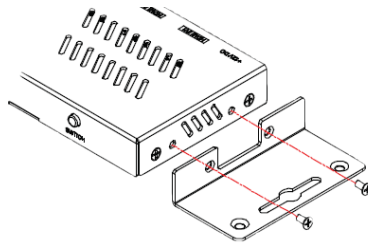
Connect to an RS-232 control device.

INSTALLATION

The B-260-SWITCH-4x1 can be placed on a solid and stable surface, installed in an equipment rack, or mounted to a wall or distribution box.

When installed on a rack shelf, wall, or distribution box we strongly recommend that the included mounting ears be used to secure the device.

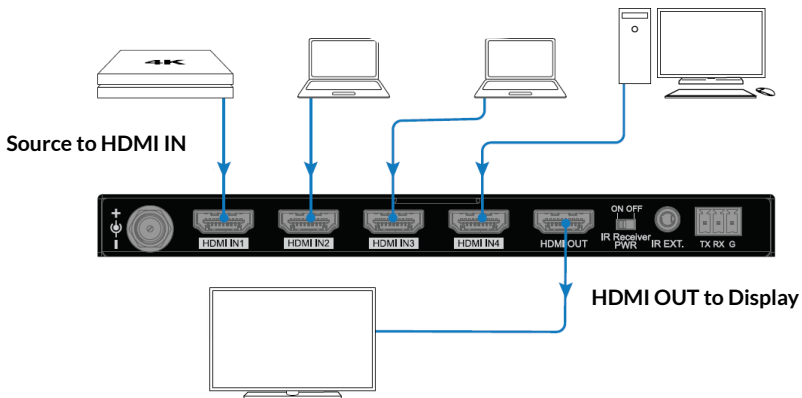
When installing on a solid surface the use of the mounting ears is optional.



CONNECTIONS

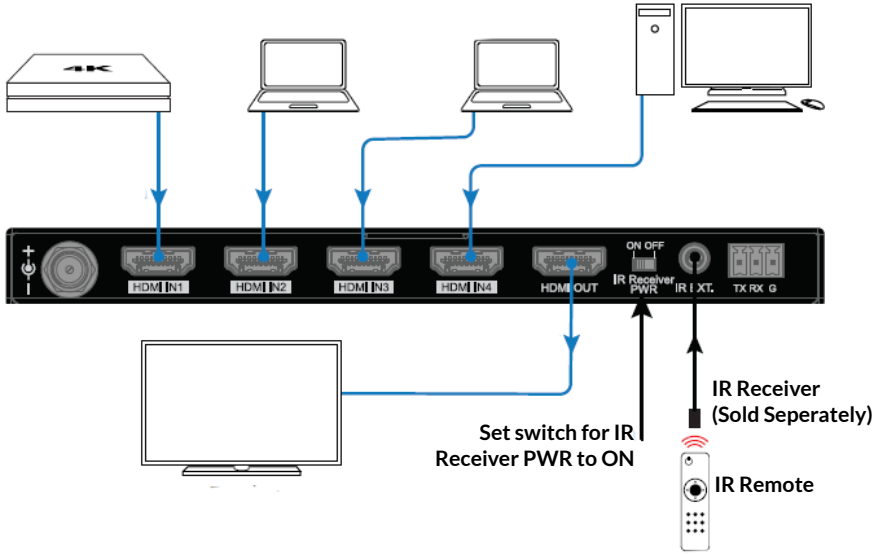
Caution: Disconnect the power from all devices in the system before making connections. Failure to do so may damage a device.

1. Connect the HDMI sources (such as PC, Blu-ray player, Apple TV, 4K media player, etc) to **HDMI IN 1-4**. Ensure you are using a high-quality HDMI cable capable of supplying the desired maximum resolution.
2. Connect the HDMI display device (such as a TV, projector, etc.) to **HDMI OUT**. Ensure you are using a high-quality HDMI cable capable of supplying the desired maximum resolution.
3. Connect any additional control options. Refer to the IR Control or RS-232 Control diagrams for more details.
4. Connect the provided DC 12V power cord.
5. Power on all connected devices.



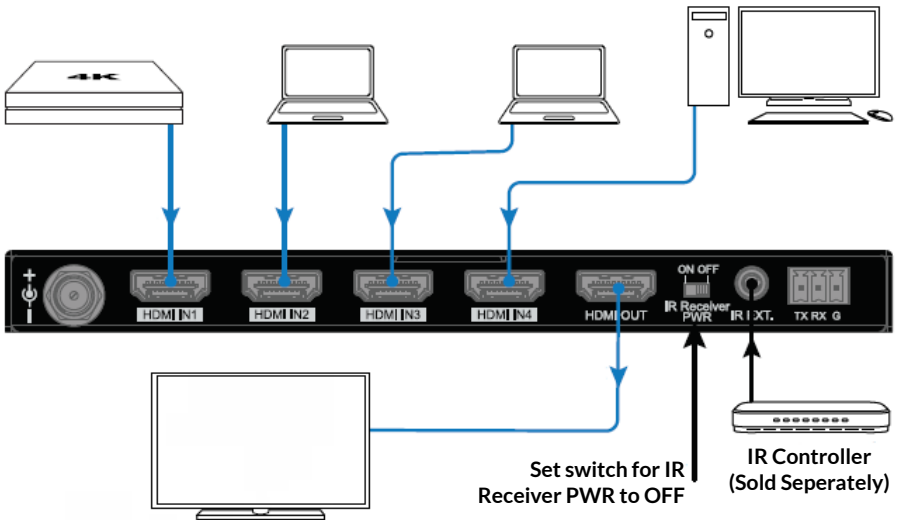
IR Receiver Connections

To control the switch with an IR receiver, set **IR Receiver PWR** to **ON** and connect an IR receiver (sold separately) to the **IR EXT** port.



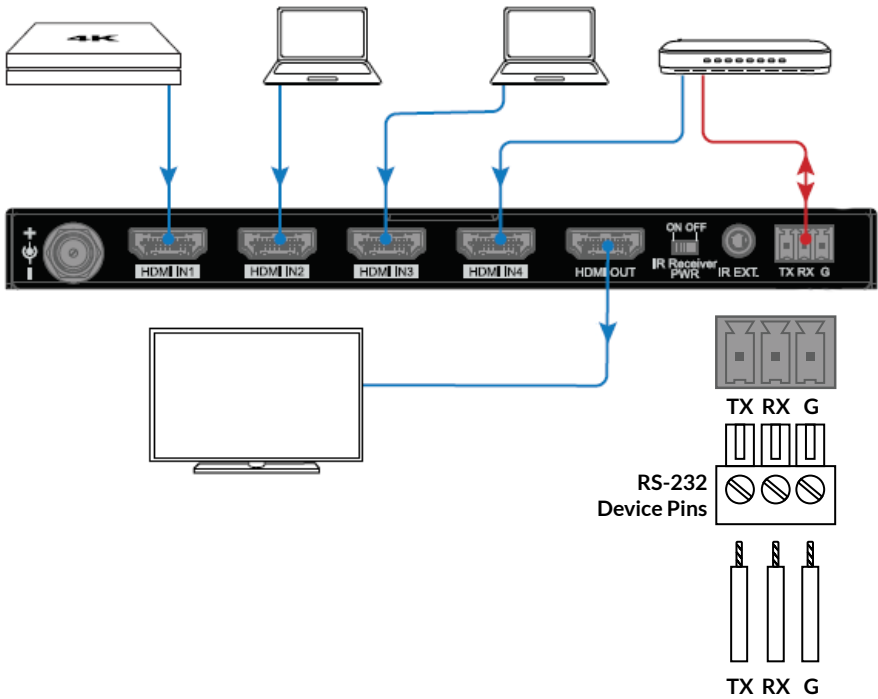
IR Controller Connections

To control the switch with an IR controller, set **IR Receiver PWR** to **OFF** and connect the IR controller (sold separately) to the **IR EXT** port.



RS-232 Control Connections

To control the switch using RS-232, follow the below wiring diagram.



SELECTING A SWITCH INPUT

Front Panel

Push the **SWITCH** button, on the front panel, to cycle through inputs.



IR Control

The switch can be controlled via IR using the provided IR Remote or using IR via a control system. In order to use the included IR Remote an IR receiver must be purchased separately.

Buttons	IR Codes	Description
▶	0x02 0x0a	Switch to the next active source input (Cycle 1-4).
◀	0x02 0x08	Switch to the previous active source input (Cycle 1-4).
1	0x02 0x04	Switch to source input 1.
2	0x02 0x05	Switch to source input 2.
3	0x02 0x06	Switch to source input 3.
4	0x02 0x0c	Switch to source input 4.
5	N/A	Not available.

Note: The encoding format for the above IR codes is NEC (38KHz). Any third party device used for IR control of the switch must support NEC (38KHz).

RS-232 Control

Configuration for control system serial ports can vary. Refer to the documentation for the system in use for proper connection and configuration. Below are the parameters for RS-232 control.

Important: There must be devices connected to the inputs and outputs of the switch for RS-232 commands to execute.

Parameters	Value
Baud Rate	9600 bps
Data Bits	8 bits
Parity	None
Stop Bits	1 bit
Follow Control	None

The command structure for RS-232 is outlined below.

Function	Command	Parameter	Description	Return
Switch Input	SET SWITCH	IN1<CR>	Switch to source input 1.	SWITCH<CR>
		IN2<CR>	Switch to source input 2.	
		IN3<CR>	Switch to source input 3.	
		IN4<CR>	Switch to source input 4.	
		NEXT<CR>	Switch to the next input (Cycle 1-4).	
		PREV<CR>	Switch to the previous input (Cycle 1-4).	

Example: SET SWITCH IN1 <CR> switches to input 1.

You can use <CR> -or- <LF> to end a command. All commands must end with a carriage return or a line feed.

SPECIFICATIONS

Technical	
Connector Type	x4 HDMI In x1 HDMI Out x1 IR EXT x1 RS-232 (Phoenix connector) x1 DVC 12V in
Input/Output Signal Type	HDMI with 4K@60Hz YUV 4:4:4, HDCP 2.2
Input/Output Supported Resolution	Up to 4096x2160 @ 60Hz, including 4K @ 60Hz/4K @ 30Hz/1080P/1080i/720p
Supported Audio Formats	PCM 2.0/5.1/7.1, Dolby TrueHD, Dolby Atmos, DTSHD Master Audio, and DTS:X
Maximum Data Rate	18 Gbps
Supported Control Methods	IR, RS-232, CEC, DIP switches

General	
Operating Temperature	0°C to 40°C (32°F to 104°F)
Storage Temperature	-20°C to 60°C (-4°F to 140°F)
Humidity	10% to 90%, non-condensing
ESD Protection	Human-body Model: ±15kV (Air-gap discharge))
Power Supply	-DC 12V, 2A
Power Consumption (Max)	-3.19W
Dimensions (W x H x D)	175mm (6.89") x 16mm (0.63") x 66.2mm (2.61") (Without Mounting Ears)
Weight	0.25 kg / 0.55 lb

LIMITED WARRANTY

Find details of the product's Limited Warranty at snapone.com/legal or request a paper copy from Customer Service at [866.424.4489](tel:866.424.4489). Find other legal resources, such as regulatory notices and patent information, at snapone.com/legal.

SUPPORT

Need Help? Contact Tech Support!

For chat and telephone, visit tech.control4.com/s/contactsupport • Email: TechSupport@SnapOne.com. Visit tech.control4.com for discussions, instructional videos, news, and more.

BINARY

Copyright ©2022, Wirepath Home Systems, LLC. All rights reserved. Control4 and Snap AV and their respective logos are registered trademarks or trademarks of Wirepath Home Systems, LLC, dba “Control4” and/or dba “SnapAV” in the United States and/or other countries. Snap AV and Binary are also registered trademarks or trademarks of Wirepath Home Systems, LLC. Other names and brands may be claimed as the property of their respective owners. All specifications subject to change without notice.

220317

200-B-260-SWTCH-4X1-B