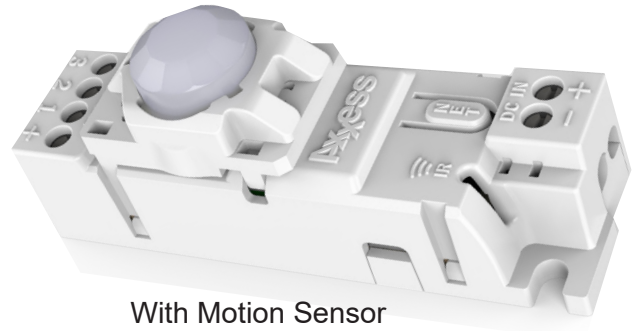


DCM3 Mini Dimming Control Module



Without Motion Sensor



With Motion Sensor

OVERVIEW

The Axxess DCM3 Mini is a 3-channel dimming control driver capable of dimming up to 3 channels independently to control CCT White Tuning and RGB color selection, while simultaneously setting light levels.

Power is supplied externally at 12VDC or 24VDC depending on the LED Strip used.

Applications include:

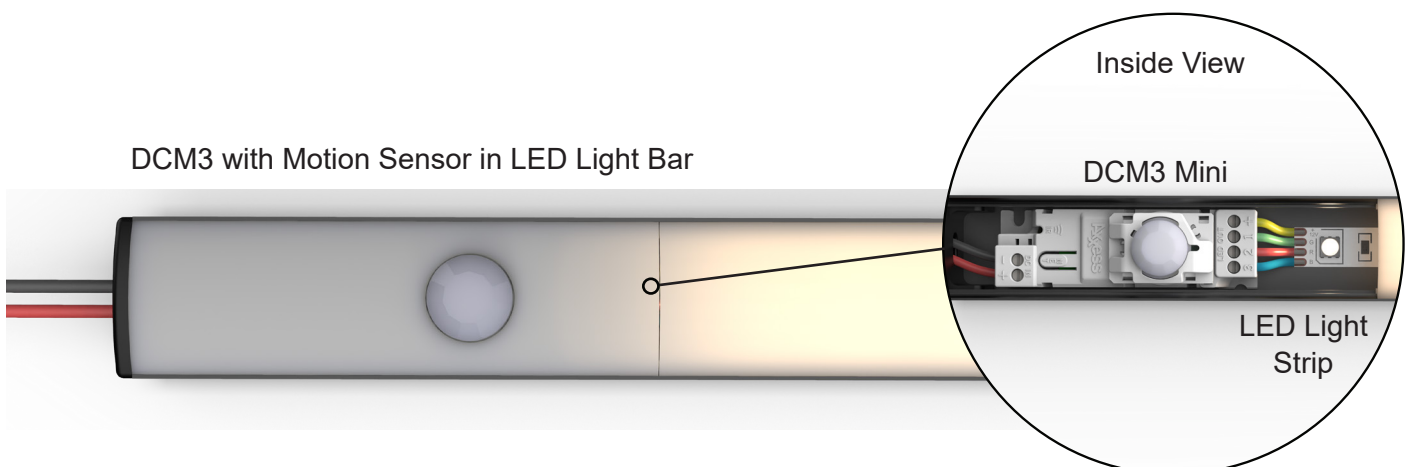
- Participate in custom scenes at particular white color temperature
- Set lighting for circadian rhythms
- Mimic daylight in windowless spaces
- Dim-to-Warm dimming
- Set RGB color lighting

One of the superior features of the DCM3 Mini is its small form factor allowing it to be inserted into the same Aluminum Profile with the LED strip. Just connect external 12VDC or 24VDC power.

The range of white tuning is dependent on the particular LED strip selected. LED strips with 2 or 3 white values are supported. PWM dimming is at 1250 Hz for flicker free experience.

With Class 2 LED power supplies the DCM3 Mini can be surface mounted anywhere or installed inside an Aluminum LED profile. (Class 2: up to 60W @12VDC, up to 100W at 24VDC). Higher Wattages require installation in a qualified enclosure (DCM3 mini fits into a 1- gang electrical box) and max ratings are 100W @ 12VDC, 192W at 24VDC

The DCM3 Mini is available with built-in Motion Sensor (DCM3 Mini-MS). Uses include: as nightlight under bedside table, vanities, kitchen cabinets and for lighting stairs. A related product is the Axxess Linear LED Light Bar, which includes the DCM3 Mini, with or without motion sensor. Several standard and custom length are offered.



info@axxind.com | www.axxind.com | 1.866.680.2457

DCM3 Mini Dimming Control Module

DCM3 Mini

USES

- Under vanity lighting
- Under cabinet lighting
- Night light
- Wardrobe light
- Baseboard lighting
- Security lighting
- Energy management

COMMUNICATION

ZigBee Pro Wireless compliant certified radio module

- FCC ID: WP4LPZM3
- IC:9709A-LPZM3

INDOOR USE ONLY

Ambient Conditions, 32 to 115°F (0 to 46°C), RH ≤85% Non-condensing. Dry location only.

EXTERNAL CONNECTIONS

Screw terminal connectors, max 16AWG wire size, 10A max per channel

INPUT

- Class 2 Power Supply up to 60W @12VDC, 100W @24VDC
- SELV Power Supply up to 96W @12VDC, 192W @ 24VDC
- Any power supply up to 120W @ 12VDC, 240W @24VDC provided that the DCM3 Mini is installed in a qualified enclosure.

OUTPUT

- 3 channel, 10.0A MAX per channel, Common Anode
- Max output follows power supply max/min
- Output Voltage follows input Voltage

Note: CCT LED and RGB Strips are wattage rated as if all LED channels were lit at 100%. In reality they are not used that way. The power supply for CCT or RGB can typically be sized by LED strip wattage rating/number of channels.

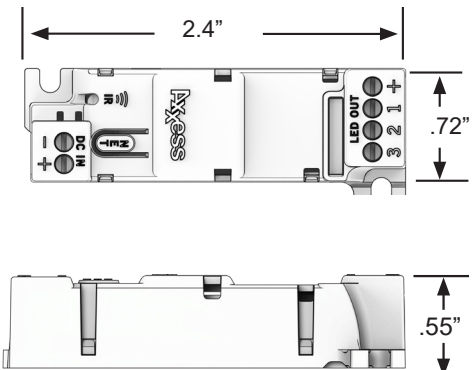
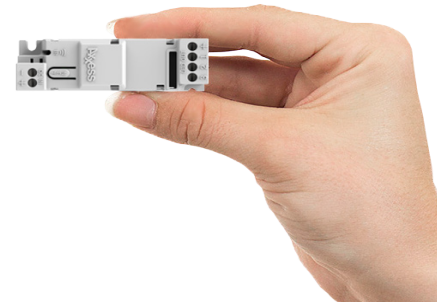
DIMENSIONS

L 2.4" x W .72" x H .55"

Fits Profile AX 2007 External Dim 0.93"(15/16") x 0.80"(13/16")

HOW TO ORDER

axxind.com/dealers



WIRING OPTIONS

