



110 SERIES UNMANAGED+ NETWORK SWITCHES

Quick Start Guide

AN-110-SW-C-5
AN-110-SW-F/R-8
AN-110-SW-F/R-16
AN-110-SW-F/R-24





FCC Warning

Changes or modifications not expressly approved by the party responsible for compliance could void the user's authority to operate the equipment. This device complies with Part 15 of the FCC Rules. Operation is subject to the following two conditions:

- ① This device may not cause harmful interference, and
- ② This device must accept any interference received, including interference that may cause undesired operation.

NOTE: This equipment has been tested and found to comply with the limits for a Class A digital device, pursuant to part 15 of the FCC Rules. These limits are designed to provide reasonable protection against harmful interference when the equipment is operated in a commercial environment. This equipment generates, uses, and can radiate radio frequency energy and, if not installed and used in accordance with the instruction manual, may cause harmful interference to radio communications. Operations of this equipment in a residential area is likely to cause harmful interference in which case the user will be required to correct the interference at his own expense.



CE Warning

This is a Class A product. In a domestic environment, this product may cause radio interference, in which case the user may be required to take adequate measures.

UL Statement

All models have been evaluated by UL.

This device is intended for indoor use only. It should not be connected to an Ethernet network with outside plant routing.

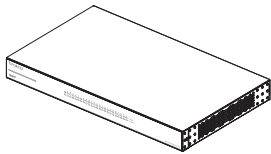


Welcome to Araknis Networks™

Thank you for choosing an Araknis 110-series Network Switch. With Gigabit connectivity on all ports, updated modern aesthetics, and a level of control (unmanaged+) rarely seen in unmanaged solutions, the Araknis 110-series switch is a sleek and highly capable addition to any network.



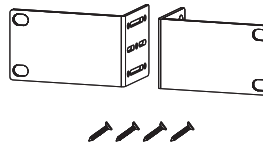
Step 1: Unbox



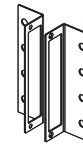
Switch (1)



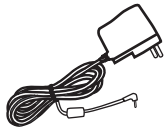
Rubber Feet for Flat Surfaces (4)



8, 16, 24 Models
Rack-Mount Kit:
Ears (2), Screws (8)



AN-110-SW-C-5
Wall-Mount Kit:
Ears (2)
Ear Screws (4)
Black Wood Screws (2)
Silver Ball Screws (2)



DC Power Supply
(AN-110-SW-C-5 only)



AC Power Cord
(8/16/24 port models)

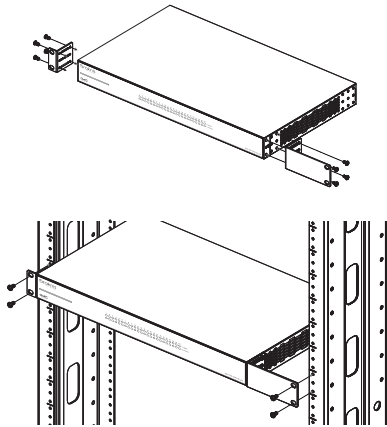


Quick Start Guide

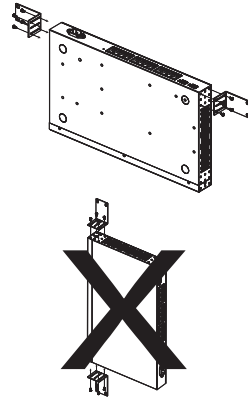


Step 2: Install (8, 16, and 24 port)

A) Rack Mount

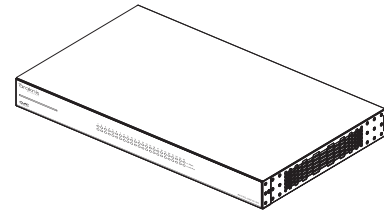


B) Wall Mount



The switch must be wall mounted with the Ethernet ports facing either the floor or the ceiling.

C) Shelf Mount



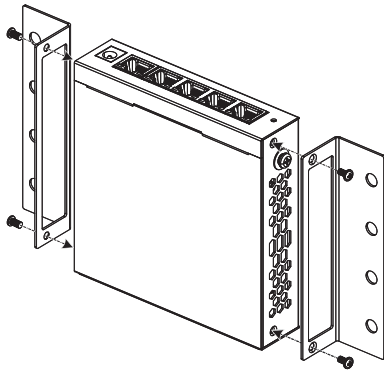
NOTE: Do not stack other equipment on top of the switch to avoid possible interference or damage.

NOTE: Mounting is the same for models with both front- and rear-facing ports.

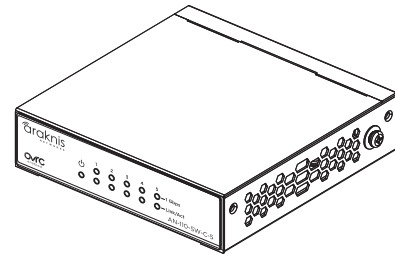


AN-110-SW-C-5

Ⓐ Wall Mount

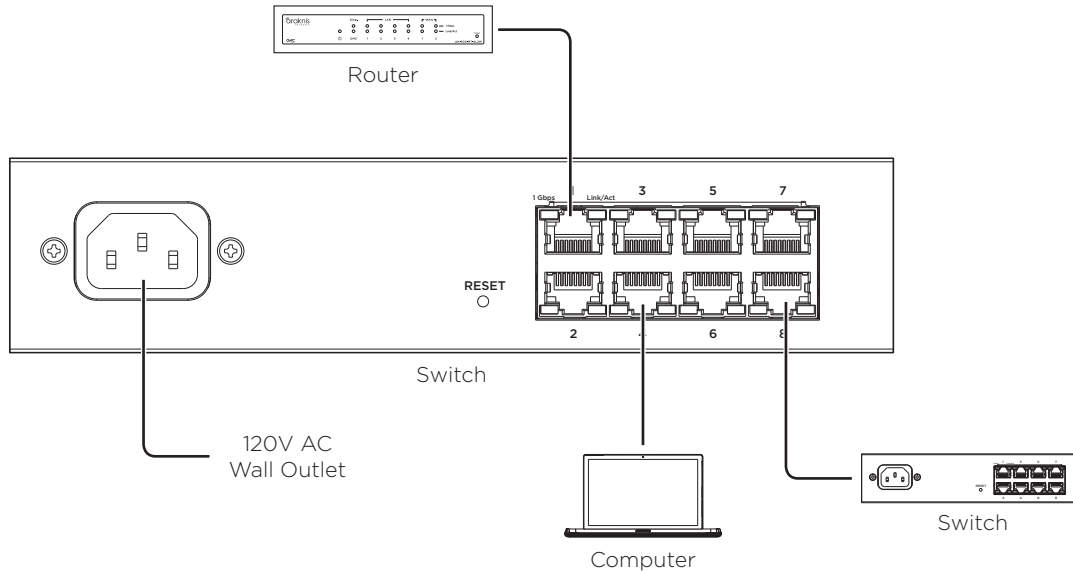


Ⓑ Shelf Mount





Step 3: Connect

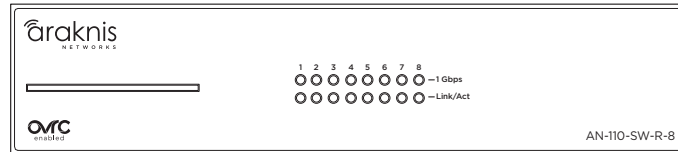


NOTE: AN-110-SW-R-8 shown. Connection is the same for models with both front- and rear-facing ports.

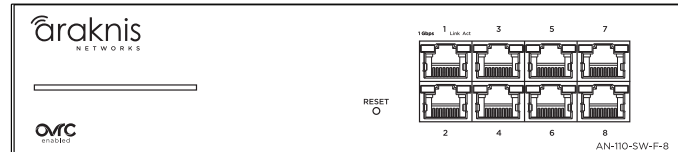


Step 4: Verify

AN-110-SW-R-8



AN-110-SW-F-8



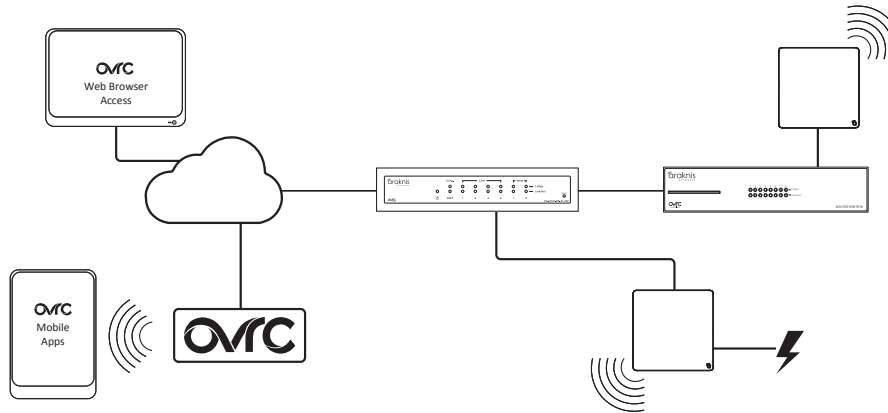
- (A) **Power LED** - On: system is up.
Off: system is down.
- (B) **1Gbps LED** - On: port connected at 1000Mbps speed.
Off: port is connected at 10/100Mbps speed.
- (C) **Link/Act LED** - On: port is connected to another device.
Blinking: packets are running through the port.
Off: port is not connected to a device.



Other Access Methods: OvrC

OvrC provides remote firmware upgrades, real-time notifications, and intuitive customer management, right from your computer or mobile device. Setup is plug-and-play, with no port forwarding or DDNS address required. To add this device to your OvrC account:

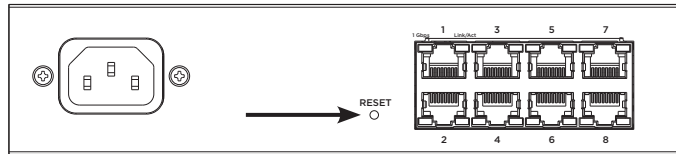
- (A) Connect the switch to the network (Internet access required).
- (B) Log Into OvrC (www.ovrc.com) or load the OvrC app.
- (C) Add the device (MAC address and Service Tag numbers needed for authentication).



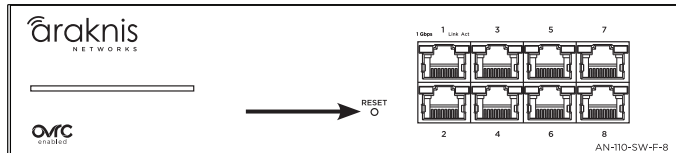


Pro Tip: Rebooting the Switch

AN-110-SW-R-8



AN-110-SW-F-8



- Reboot -** Press and hold the RESET button on the back of the switch for 5 seconds, then release. The switch will power cycle and the front status lights will flash.
- Factory Reset -** Press and hold the RESET button for 10-15 seconds until the status LEDs flash once. The switch will power cycle and be reset to factory default settings.

2-Year Limited Warranty

Araknis Networks® products have a 2-Year Limited Warranty. This warranty includes parts and labor repairs on all components found to be defective in material or workmanship under normal conditions of use. This warranty shall not apply to products that have been abused, modified, or disassembled. Products to be repaired under this warranty must be returned to a designated service center with prior notification and an assigned return authorization (RA) number. Contact technical support for an RA number.

Contact Information

Ⓜ araknisnetworks.com

Ⓟ Technical Support (866) 838-5052

ⓧ techsupport@araknisnetworks.com



© 2016 Araknis Networks®

160727-1020